



**Adco
Office
Furniture**
desking • seating • storage



2022-2023

CATALOGUE

Effective on 01/09/2022



Warranty period for chairs, lounges and acoustic screens



Fully imported Chairs, lounges, parts and components.



Chairs, lounges upholstered in Australia



Weight rating for individual chairs and lounges*

AFRDI 142 Certification



AFRDI rating for multi shift use and 160kg weight limit.



Furntech is an independent not-for-profit technical organisation providing standards, testing product certification and research for buyers and sellers of furniture.



The Performance criteria adopted for certification by Furntech is based on Australian standards, e.g. Level 6 - Severe commercial and heavy industrial.*

**Weight limits are self-rated by Style Ergonomic Australia. Level 6 AFRDI approved chairs are normally rated to 110kg.*



BIFMA is a third-party certification program that provides manufacturers with valuable feedback for evaluating the environmental, human, and social impacts of their furniture products for manufacturing, facility, and organisation.



All instructions of use are instructed while sitting in the chair.

R1 - Task mesh seating

Ecotech mesh range	4
Avoca range	6
Vesta range	8
Chelsea range	10
Mega range	12

R2 - Task seating

Prestige range	14
Oriel range	16
Alpha range	18
Virgo range	20
Safari range	22
Galaxy range	24
Profile range	26
Epic range	28
Spiral range	30
Comfort range	32
Molta range	34

R3 - Multi shift seating

Rotary range	36
Multi range	38
Rover range	40
Dueler range	42
Control range	44

R4 - Executive seating

Regal range	46
Austin range	48
Porto range	50
Acura range	52
Assist range	54

R5 - Hospitality seating

Astra range	56
Focus range	58
Vinn range	60
Pod range	64
Maxi range	70
Vera range	74

R6 - Beam seating

Maxi beam range	76
Focus beam range	78
Vinn beam range	80
Pod beam range	82

R7 - Breakout seating

Smoke range	84
Yard range	86
Ridge range	88
Vero range	90
Gold range	92
June range	94
Time range	96
Opera range	98
Leaf range	100

R8 - Ottomans

Play range	102
Ola range	104
Clip range	106
Impress range	108
Radius range	110

R9 - Bar stools

Gamma range	112
Lift range	112
Vegas range	112
Flow range	112

R10 - Soft seating

Blitz range	114
Twist range	116
Montage range	118
Concept range	120
Shell range	122

R11 - Acoustic screens

Acoustic screens	124
------------------------	-----

R12 - Industrial stools

State range	126
-------------------	-----

R1 TASK MESH SEATING

ECOTECH MESH



FEATURES

- » Adjustable seat height
- » Adjustable back height
- » Adjustable seat angle (with 3 lever mechanism only)
- » Adjustable back angle
- » Optional adjustable arms
- » Optional seat depth (seat slider) (not available on drafting chair)
- » Optional drafting kit
- » Optional 2 or 3 lever mechanism
- » Moulded seat foam
- » Java seat
- » Mesh back
- » 600mm black nylon base
- » Available in local fabrics
- » Suitable for indoor use only
- » 7 year warranty
- » Weight limit is 130kg

INDOOR USE ONLY

X Do not use as a step ladder

OPTIONAL
ADJUSTABLE ARMS

BACK KNOB
To adjust back height

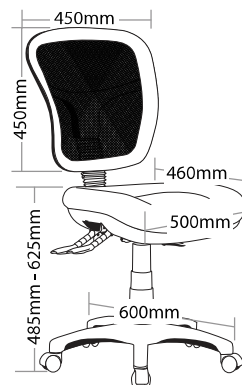
RIGHT BACK LEVER
To adjust back angle

LEFT LEVER
To adjust seat angle

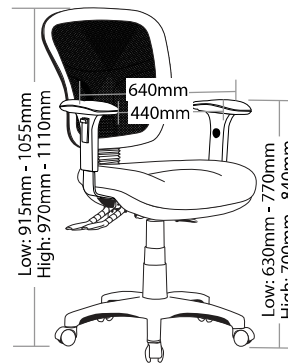
RIGHT FRONT LEVER
To adjust seat height

600MM BLACK NYLON 5 STAR
BASE WITH CASTORS

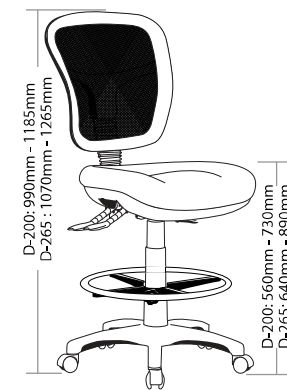
Use soft tyred castors for tiles
Use hard tyred castors for carpet



ME350



ME350C



ME350D

ECOTECH MESH TASK MESH SEATING



ME350



ME350C



ME350D

R1 TASK MESH SEATING

AVOCA



FEATURES

- » Adjustable seat height
- » Adjustable back height (ratchet)
- » Adjustable seat angle (with 3 lever mechanism only)
- » Adjustable back angle
- » Optional adjustable arms
- » Optional seat depth (seat slider) (not available on drafting chair)
- » Optional drafting kit
- » Optional 2 or 3 lever mechanism
- » Available in high and low back
- » Moulded seat foam
- » Mesh back
- » Java seat
- » 600mm black nylon base
- » Available in local fabrics
- » Back mesh available in Jazz mesh
- » AFRDI tested to level 6
- » Suitable for indoor use only
- » 7 year warranty
- » Weight limit is 130kg

INDOOR USE ONLY

✗ Do not use as a step ladder

To adjust back height hold back with two hands while seated and raise to desired height
To lower the back height raise back all the way to the top and release slowly

OPTIONAL ADJUSTABLE ARMS

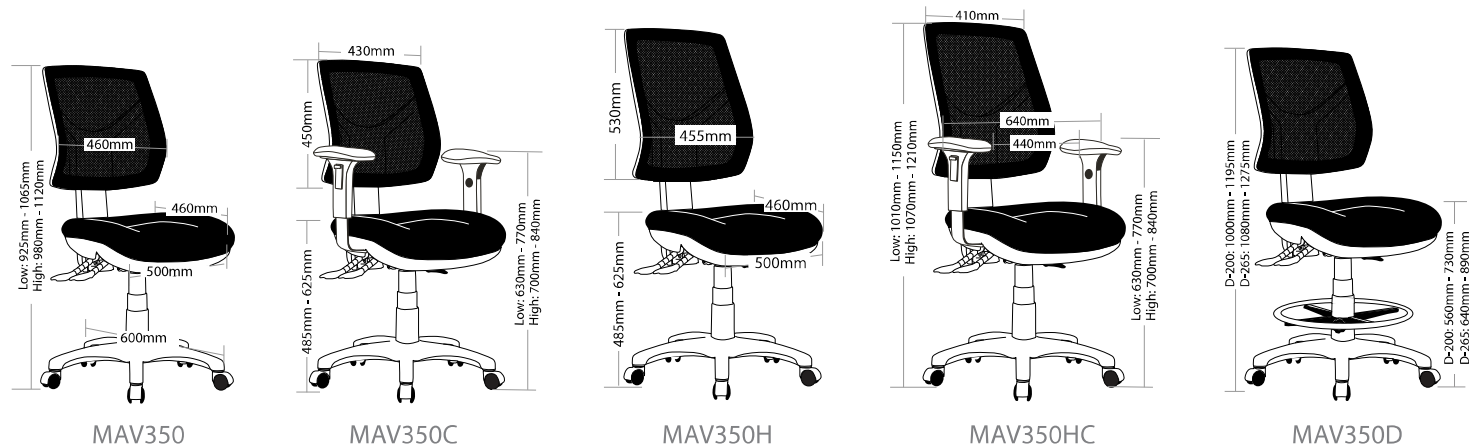
RIGHT BACK LEVER
To adjust back angle

RIGHT FRONT LEVER
To adjust seat height

LEFT LEVER
To adjust seat angle

600MM BLACK NYLON 5 STAR BASE WITH CASTORS

Use soft tyred castors for tiles
Use hard tyred castors for carpet



AVOCA TASK MESH SEATING



MAV350



MAV350C



MAV350H



MAV350HC



MAV350D

R1 TASK MESH SEATING

VESTA

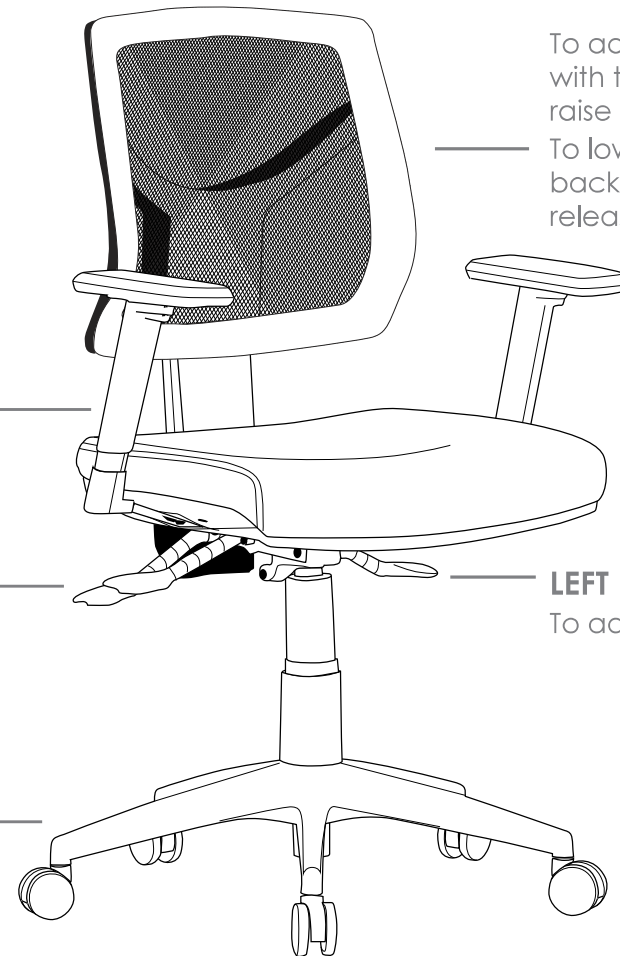


FEATURES

- » Adjustable seat height
- » Adjustable back height (ratchet)
- » Adjustable seat angle (with 3 lever mechanism only)
- » Adjustable back angle
- » Optional adjustable arms
- » Optional seat depth (seat slider) (not available on drafting chair)
- » Optional drafting kit
- » Optional 2 or 3 lever mechanism
- » Available in high and low back
- » Moulded seat foam
- » Mesh back
- » Square seat
- » 660mm black nylon base
- » Available in local fabrics
- » Back mesh available in Jazz mesh
- » AFRDI tested to level 6
- » Suitable for indoor use only
- » 7 year warranty
- » Weight limit is 130kg

INDOOR USE ONLY

✗ Do not use as a step ladder



To adjust back height hold back with two hands while seated and raise to desired height
 To lower the back height raise back all the way to the top and release slowly

OPTIONAL ADJUSTABLE ARMS

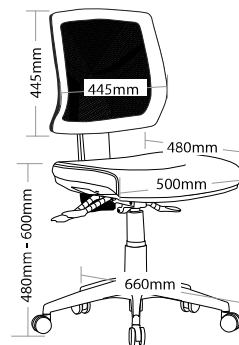
RIGHT BACK LEVER
To adjust back angle

RIGHT FRONT LEVER
To adjust seat height

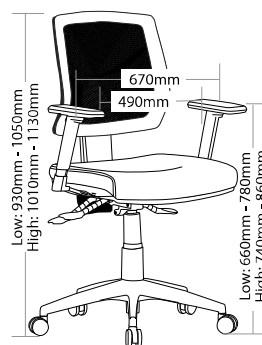
LEFT LEVER
To adjust seat angle

660MM BLACK NYLON 5 STAR BASE WITH CASTORS

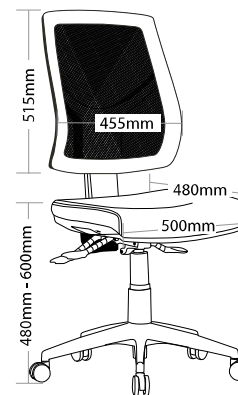
Use soft tyred castors for tiles
 Use hard tyred castors for carpet



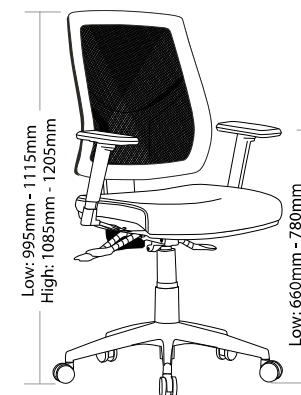
MVE350



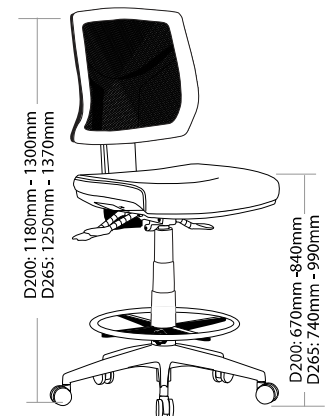
MVE350C



MVE50H



MVE350HC



MVE350D

VESTA TASK MESH SEATING



MVE350



MVE350C



MVE350H



MVE350HC



MVE350D

R1 TASK MESH SEATING

CHELSEA



FEATURES

- » Adjustable seat height
- » Adjustable back height (ratchet)
- » Adjustable back and seat angle
- » Adjustable weight tension
- » Adjustable seat depth (build-in seat slider) (available on MCH450L, MCH450H only)
- » Optional adjustable arms
- » Optional seat depth (seat slider) (not available on drafting chair)
- » Optional drafting kit (not available on MCH450L, MCH450H)
- » Available in high and low back
- » Moulded seat foam
- » Mesh back
- » Big boy seat
- » 3 lever ergonomic heavy duty mechanism
- » 700mm black nylon base
- » Available in local fabrics
- » Back mesh available in Jazz mesh
- » AFRDI tested to level 6
- » Suitable for indoor use only
- » 7 year warranty
- » Weight limit is 140kg

INDOOR USE ONLY

✗ Do not use as a step ladder

OPTIONAL ADJUSTABLE ARMS

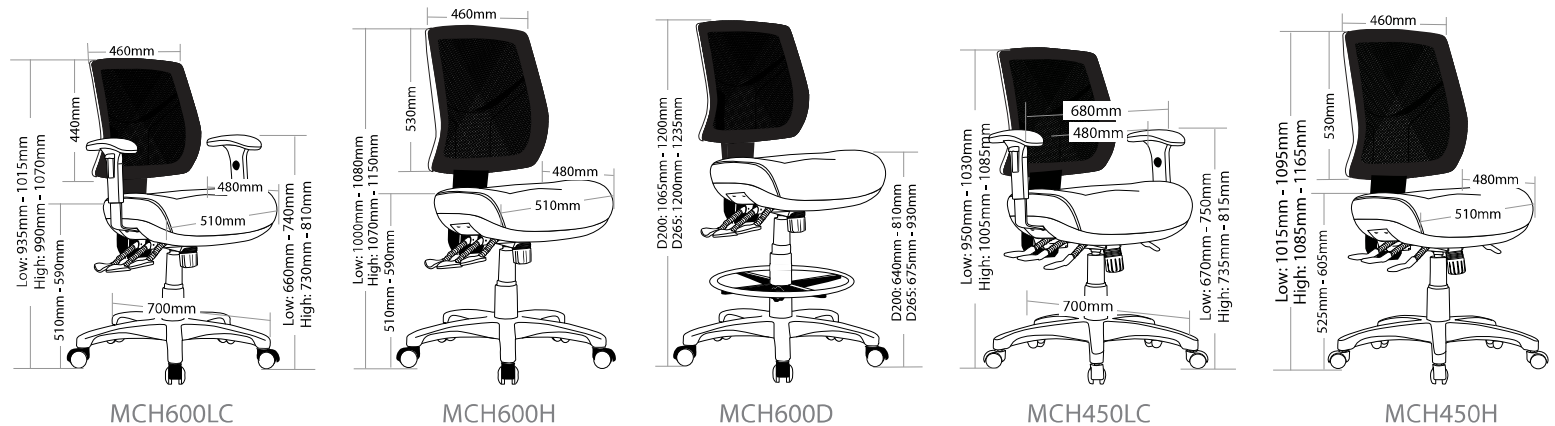
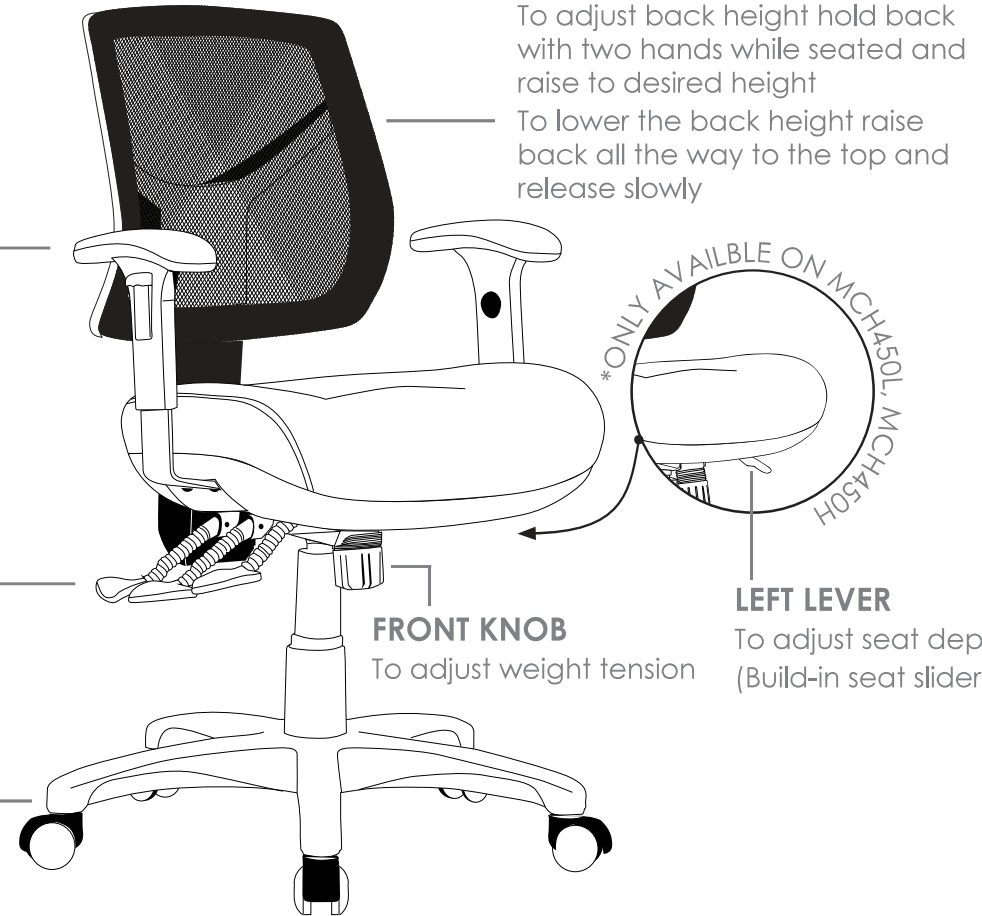
RIGHT BACK LEVER
To adjust back angle

RIGHT MIDDLE LEVER
To adjust seat angle

RIGHT FRONT LEVER
To adjust seat height

700MM BLACK NYLON 5 STAR BASE WITH CASTORS

Use soft tyred castors for tiles
Use hard tyred castors for carpet



CHELSEA TASK MESH SEATING



MCH600L

MCH600HC

MCH600D

MCH450L

MCH450HC

R1 TASK MESH SEATING

MEGA



FEATURES

- » Adjustable seat height
- » Adjustable back height (ratchet)
- » Adjustable back and seat angle
- » Adjustable weight tension
- » Optional adjustable arms
- » Moulded seat foam
- » Mega big boy seat
- » Mesh back
- » Not available with drafting and seat slider
- » 3 lever ergonomic heavy duty mechanism
- » 700mm black nylon base
- » Available in local fabrics
- » Back mesh available in Jazz mesh
- » AFRDI tested to level 6
- » Suitable for indoor use only
- » 7 year warranty
- » Weight limit is 140kg

INDOOR USE ONLY

✗ Do not use as a step ladder

OPTIONAL
ADJUSTABLE ARMS

RIGHT BACK LEVER
To adjust back angle

RIGHT MIDDLE LEVER
To adjust seat angle

RIGHT FRONT LEVER
To adjust seat height

700MM BLACK NYLON 5 STAR
BASE WITH CASTORS

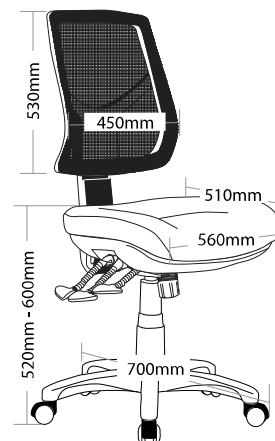
Use soft tyred castors for tiles
Use hard tyred castors for carpet

To adjust back height hold back with two hands while seated and raise to desired height

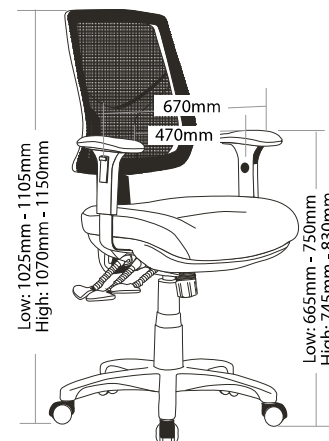
To lower the back height raise back all the way to the top and release slowly

FRONT KNOB

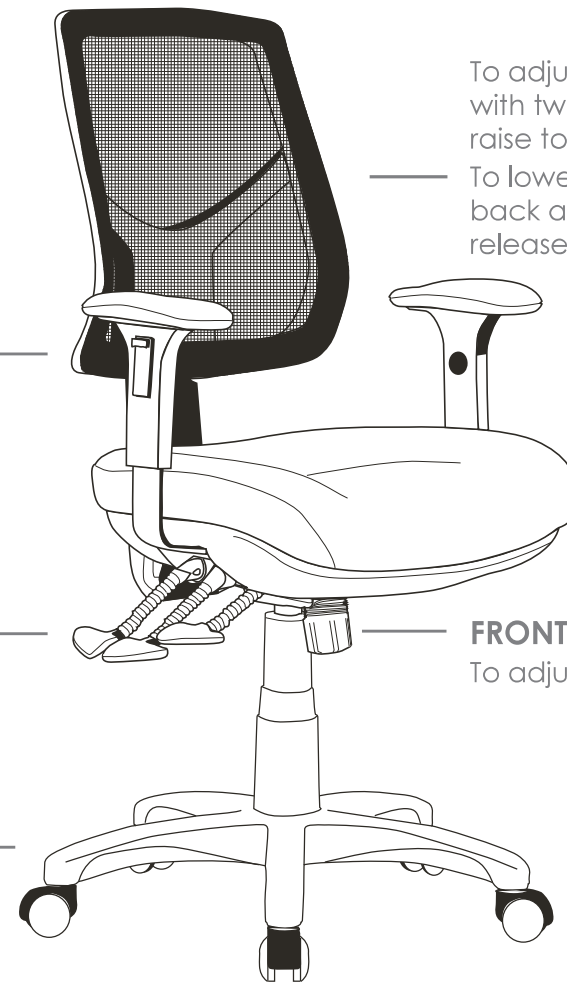
To adjust weight tension



MEGA



MEGA-C



MEGA TASK MESH SEATING



MEGA



MEGA-C



BACK VIEW

R2 TASK SEATING

PRESTIGE



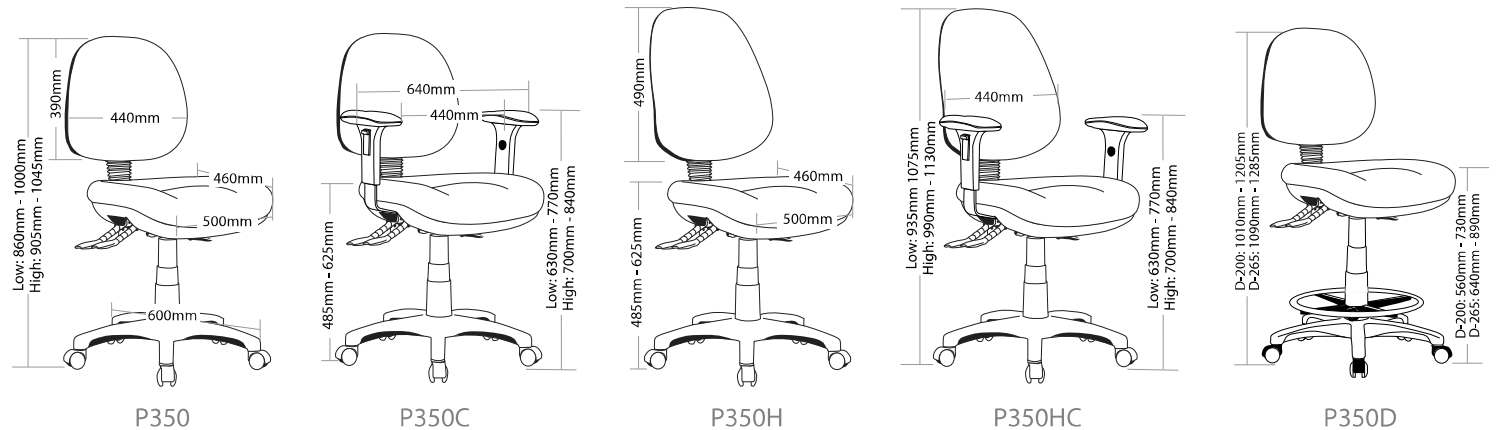
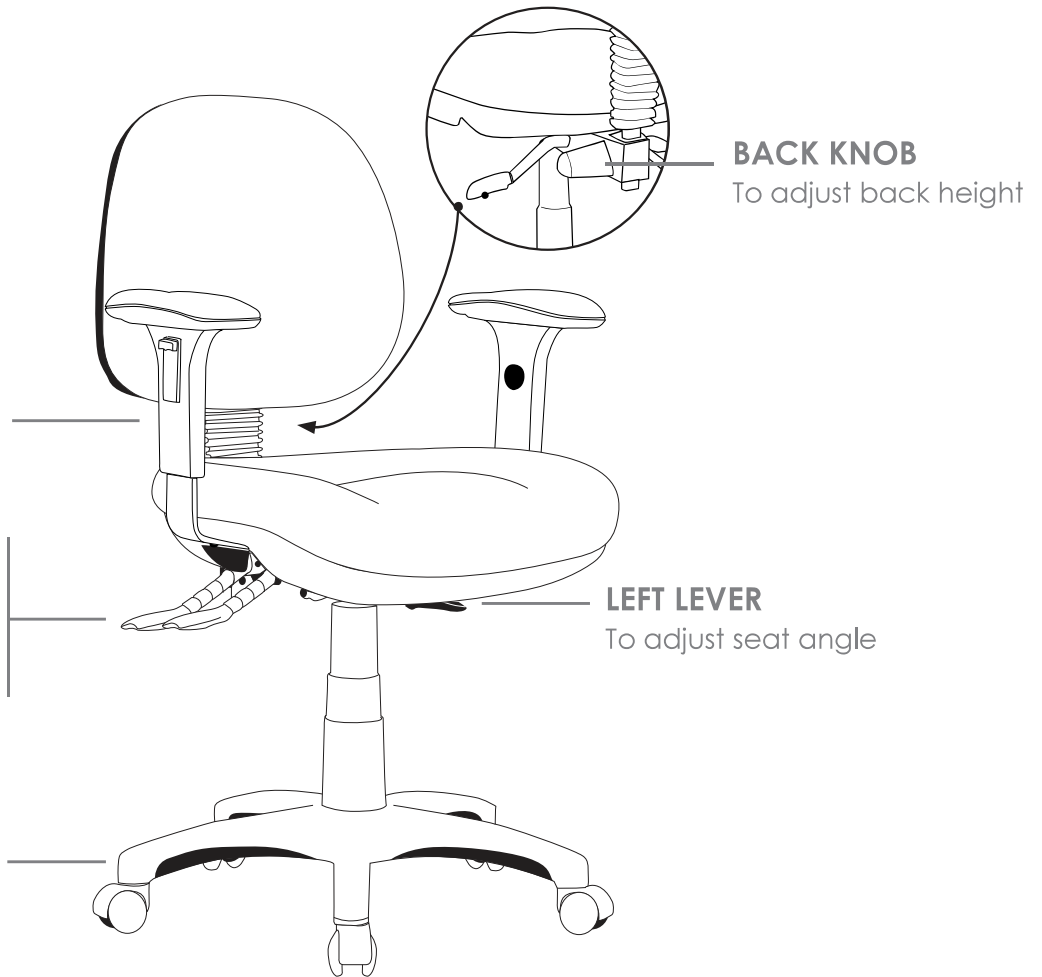
FEATURES

- » Adjustable seat height
- » Adjustable back height
- » Adjustable seat angle (with 3 lever mechanism only)
- » Adjustable back angle
- » Optional adjustable arms
- » Optional seat depth (seat slider) (not available on drafting chair)
- » Optional drafting kit
- » Optional 2 or 3 lever mechanism
- » Available in high and low back
- » Moulded seat and back foam
- » Java seat
- » 600mm black nylon base
- » Available in local fabrics
- » AFRDI tested to level 6
- » Suitable for indoor use only
- » 7 year warranty
- » Weight limit is 130kg

INDOOR USE ONLY

✗ Do not use as a step ladder

600MM BLACK NYLON 5 STAR BASE WITH CASTORS
Use soft tyred castors for tiles
Use hard tyred castors for carpet



PRESTIGE TASK SEATING



P350



P350C



P350H



P350HC



P350D

R2 TASK SEATING

ORIEL



FEATURES

- » Adjustable seat height
- » Adjustable back height (ratchet)
- » Adjustable seat angle (with 3 lever mechanism only)
- » Adjustable back angle
- » Optional adjustable arms
- » Optional seat depth (seat slider) (not available on drafting chair)
- » Optional drafting kit
- » Optional 2 or 3 lever mechanism
- » Available in high and low back
- » Moulded seat and back foam
- » Java seat
- » 600mm black nylon base
- » Available in local fabrics
- » AFRDI tested to level 6
- » Suitable for indoor use only
- » 7 year warranty
- » Weight limit is 130kg

INDOOR USE ONLY

✗ Do not use as a step ladder

To adjust back height hold back with two hands while seated and raise to desired height
To lower the back height raise back all the way to the top and release slowly

OPTIONAL ADJUSTABLE ARMS

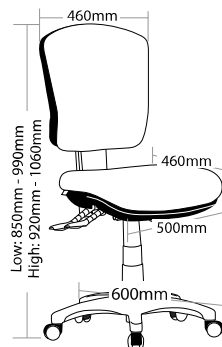
RIGHT BACK LEVER
To adjust back angle

RIGHT FRONT LEVER
To adjust seat height

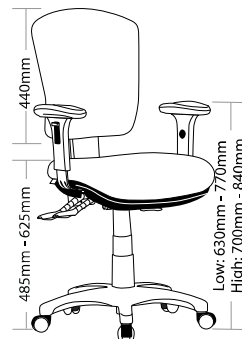
LEFT LEVER
To adjust seat angle

600MM BLACK NYLON 5 STAR BASE WITH CASTORS

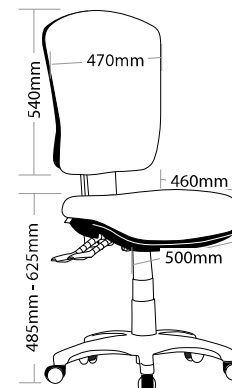
Use soft tyred castors for tiles
Use hard tyred castors for carpet



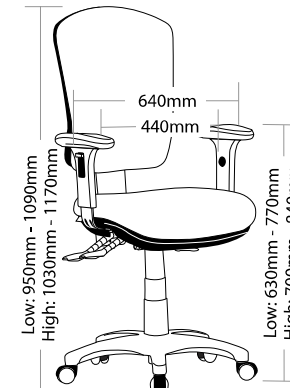
OR350



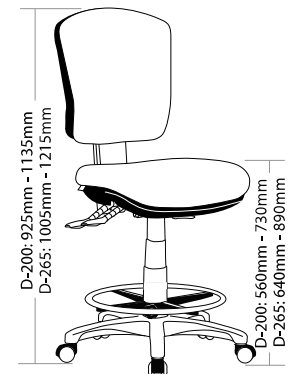
OR350C



OR350H



OR350HC



OR350D

ORIEL TASK SEATING



OR350



OR350C



OR350H



OR350HC



OR350D

R2 TASK SEATING

ALPHA



FEATURES

- » Adjustable seat height
- » Adjustable back height (ratchet)
- » Adjustable seat angle (with 3 lever mechanism only)
- » Adjustable back angle
- » Optional adjustable arms
- » Optional seat depth (seat slider) (not available on drafting chair)
- » Optional drafting kit
- » Optional 2 or 3 lever mechanism
- » Available in high and low back
- » Moulded seat and back foam
- » Java seat
- » 600mm black nylon base
- » Available in local fabrics
- » AFRDI tested to level 6
- » Suitable for indoor use only
- » 7 year warranty
- » Weight limit is 130kg

INDOOR USE ONLY

✗ Do not use as a step ladder

To adjust back height hold back with two hands while seated and raise to desired height
 To lower the back height raise back all the way to the top and release slowly

OPTIONAL ADJUSTABLE ARMS

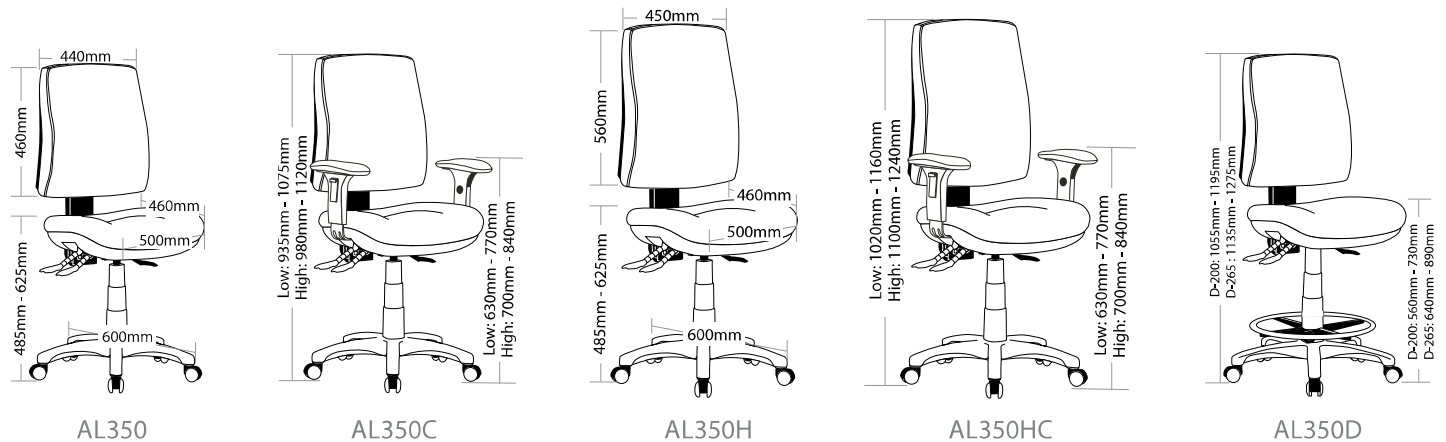
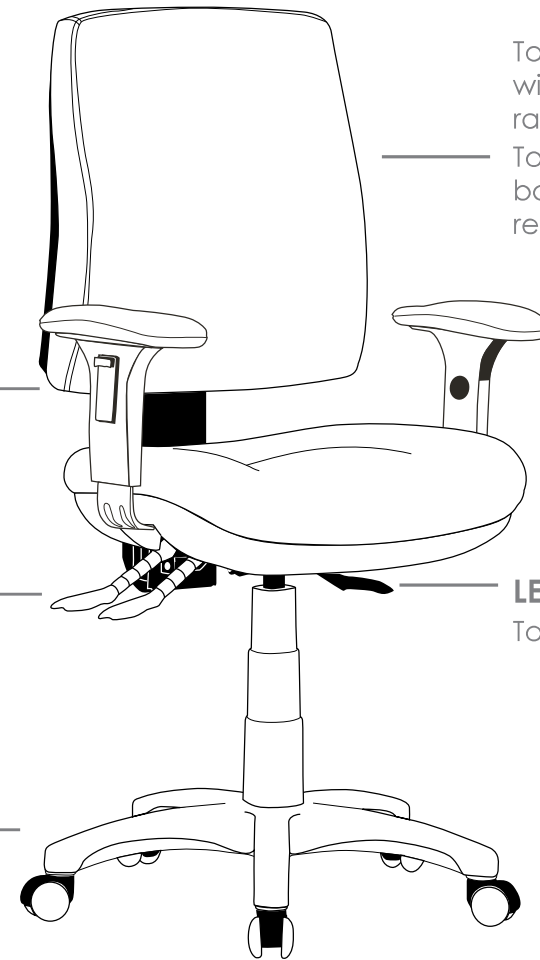
RIGHT BACK LEVER
 To adjust back angle

RIGHT FRONT LEVER
 To adjust seat height

LEFT LEVER
 To adjust seat angle

600MM BLACK NYLON 5 STAR BASE WITH CASTORS

Use soft tyred castors for tiles
 Use hard tyred castors for carpet



ALPHA TASK SEATING



AL350



AL350C



AL350H



AL350HC



AL350D

R2 TASK SEATING

VIRGO

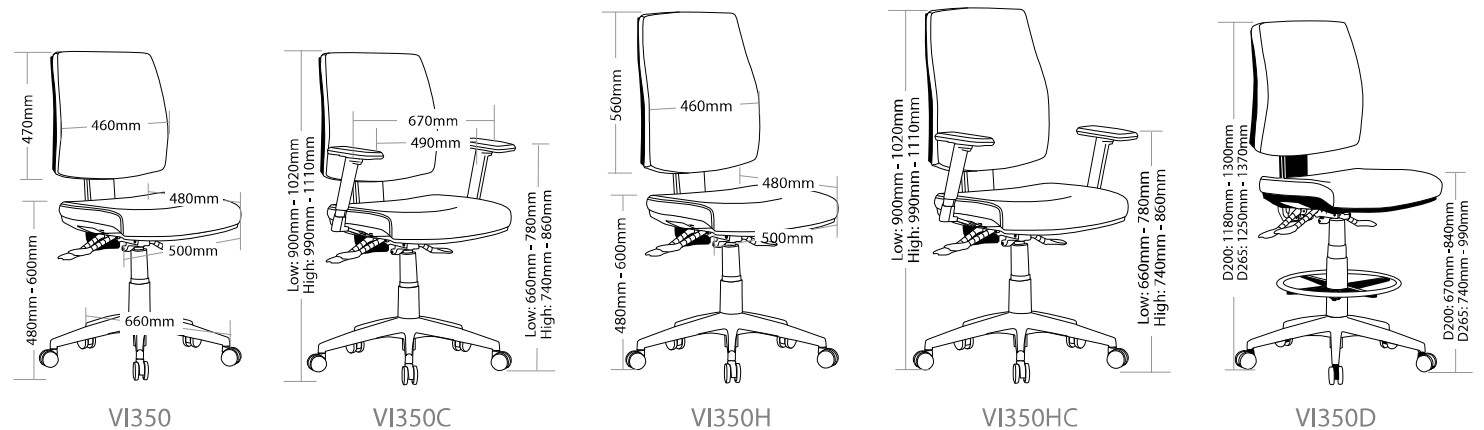


FEATURES

- » Adjustable seat height
- » Adjustable back height (ratchet)
- » Adjustable seat angle (with 3 lever mechanism only)
- » Adjustable back angle
- » Optional adjustable arms
- » Optional seat depth (seat slider) (not available on drafting chair)
- » Optional drafting kit
- » Optional 2 or 3 lever mechanism
- » Available in high and low back
- » Moulded seat and back foam
- » Square seat
- » 660mm black nylon base
- » Available in local fabrics
- » AFRDI tested to level 6
- » Suitable for indoor use only
- » 7 year warranty
- » Weight limit is 130kg

INDOOR USE ONLY

✗ Do not use as a step ladder



VIRGO TASK SEATING



VI350



VI350C



VI350H



VI350HC



VI350D

R2 TASK SEATING

SAFARI



FEATURES

- » Adjustable seat height
- » Adjustable back height (ratchet)
- » Adjustable seat angle (with 3 lever mechanism only)
- » Adjustable back angle
- » Optional adjustable arms
- » Optional seat depth (seat slider) (not available on drafting chair)
- » Optional drafting kit
- » Optional 2 or 3 lever mechanism
- » Available in high and low back
- » Moulded seat and back foam
- » Big boy seat
- » Firm kidney and lumbar support
- » 700mm heavy duty 6 star black nylon base
- » Available in local fabrics
- » Suitable for indoor use only
- » 7 year warranty
- » Weight limit is 130kg

INDOOR USE ONLY

✗ Do not use as a step ladder

OPTIONAL
ADJUSTABLE ARMS

RIGHT BACK LEVER
To adjust back angle

RIGHT FRONT LEVER
To adjust seat height

700MM HEAVY DUTY
BLACK NYLON

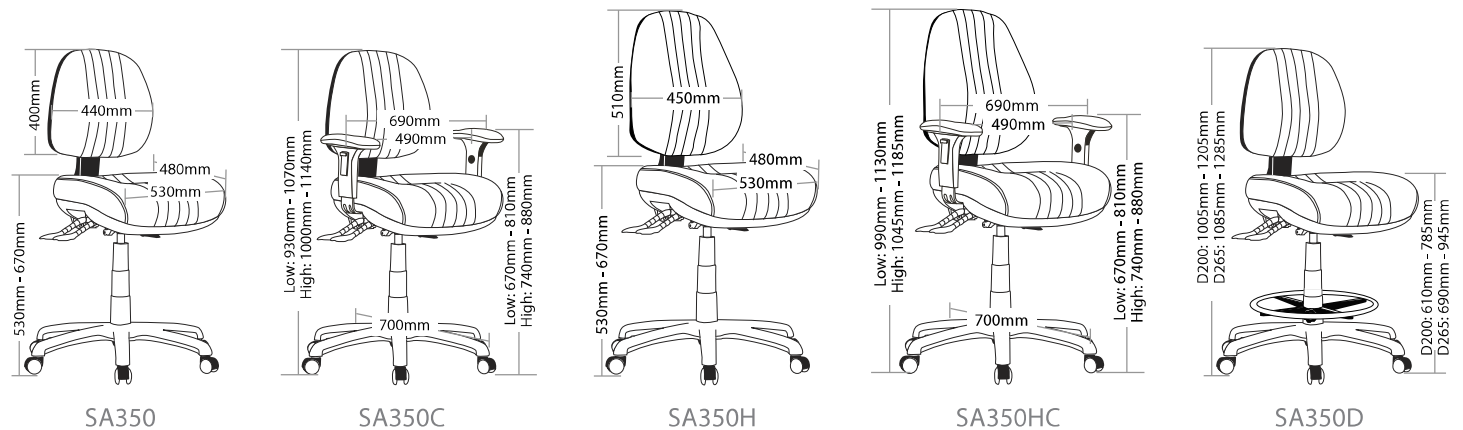
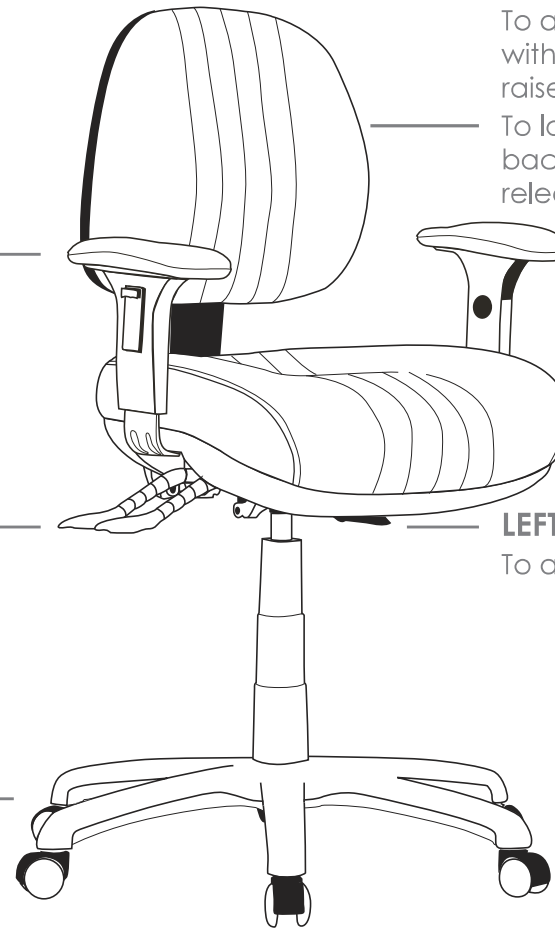
6 STAR BASE WITH CASTORS

Use soft tyred castors for tiles
Use hard tyred castors for carpet

To adjust back height hold back with two hands while seated and raise to desired height

To lower the back height raise back all the way to the top and release slowly

LEFT LEVER
To adjust seat angle



SAFARI TASK SEATING



SA350



SA350C



SA350H



SA350HC



SA350D

R2 TASK SEATING

GALAXY



FEATURES

- » Adjustable seat height
- » Adjustable back height (ratchet)
- » Adjustable back and seat angle
- » Adjustable weight tension
- » Adjustable seat depth (build-in seat slider) (available on GA450L, GA450H only)
- » Optional adjustable arms
- » Optional seat depth (seat slider) (not available on drafting chair)
- » Optional drafting kit (not available on GA450L, GA450H)
- » Available in high and low back
- » Moulded seat and back foam
- » Big boy seat
- » 3 lever ergonomic heavy duty mechanism
- » 700mm black nylon base
- » Available in local fabrics
- » AFRDI tested to level 6
- » Suitable for indoor use only
- » 7 year warranty
- » Weight limit is 140kg

INDOOR USE ONLY

✗ Do not use as a step ladder

OPTIONAL
ADJUSTABLE ARMS

RIGHT BACK LEVER
To adjust back angle

RIGHT MIDDLE LEVER
To adjust seat angle

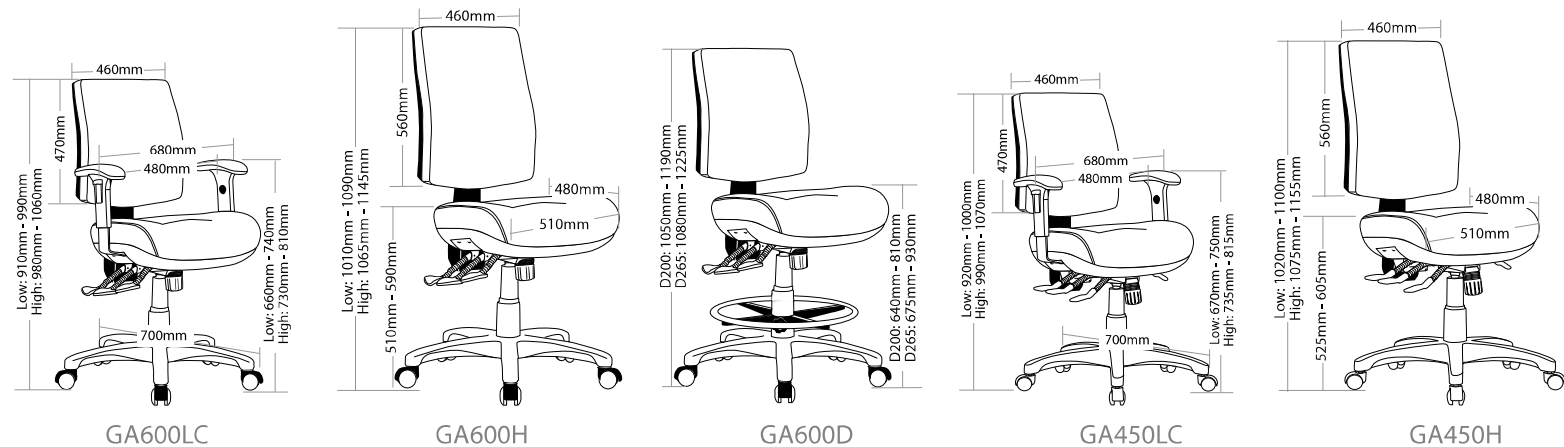
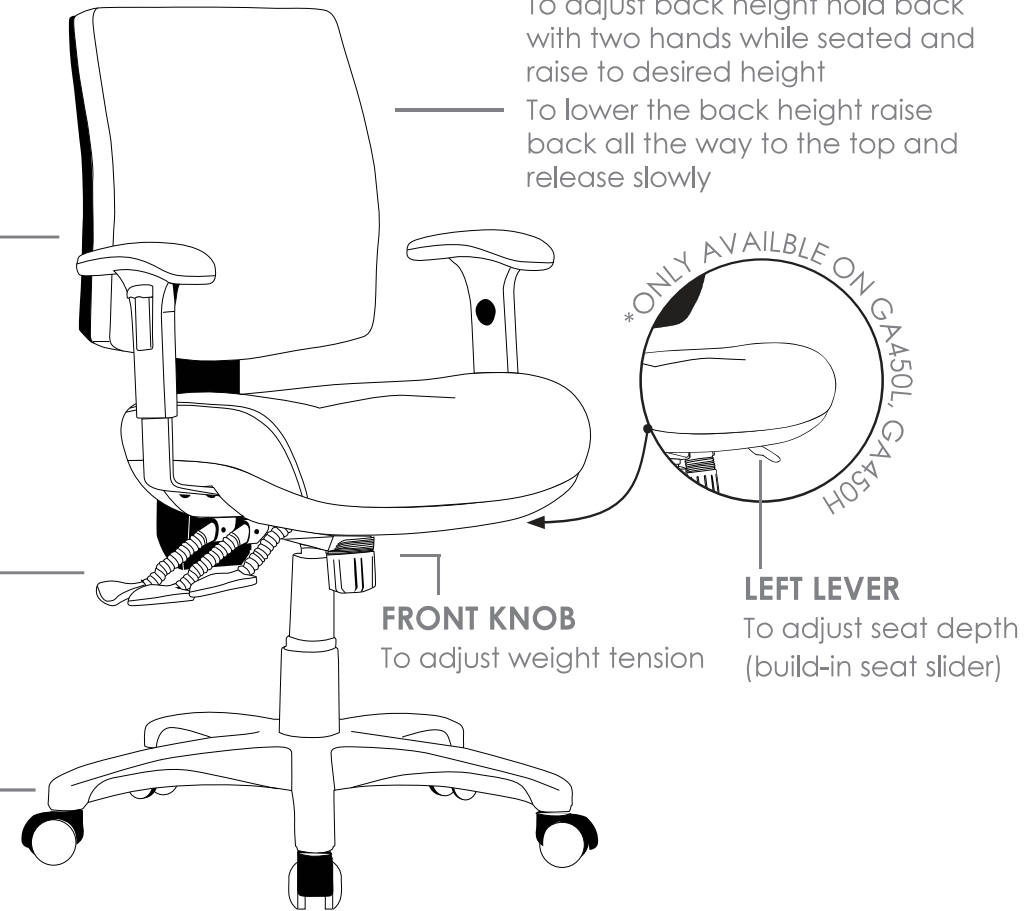
RIGHT FRONT LEVER
To adjust seat height

700MM BLACK NYLON 5 STAR
BASE WITH CASTORS

Use soft tyred castors for tiles
Use hard tyred castors for carpet

To adjust back height hold back with two hands while seated and raise to desired height

To lower the back height raise back all the way to the top and release slowly



GALAXY TASK SEATING



GA600L



GA600HC



GA600LD



GA450L



GA450HC

R2 TASK SEATING

PROFILE



FEATURES

- » Adjustable seat height
- » Adjustable back height (ratchet)
- » Adjustable back and seat angle
- » Adjustable weight tension
- » Optional adjustable arms
- » Optional seat depth (seat slider) (not available on drafting chair)
- » Optional drafting kit
- » Available in high and low back
- » Moulded seat and back foam
- » Big boy seat
- » 3 lever ergonomic heavy duty mechanism
- » 700mm black nylon base
- » Available in local fabrics
- » AFRDI tested to level 6
- » Suitable for indoor use only
- » 7 year warranty
- » Weight limit is 140kg

INDOOR USE ONLY

X Do not use as a step ladder

OPTIONAL
ADJUSTABLE ARMS

RIGHT BACK LEVER
To adjust back angle

RIGHT MIDDLE LEVER
To adjust seat angle

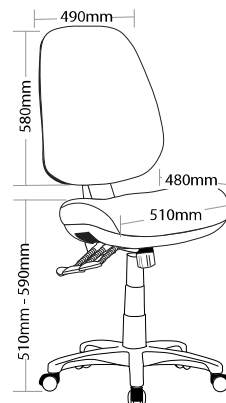
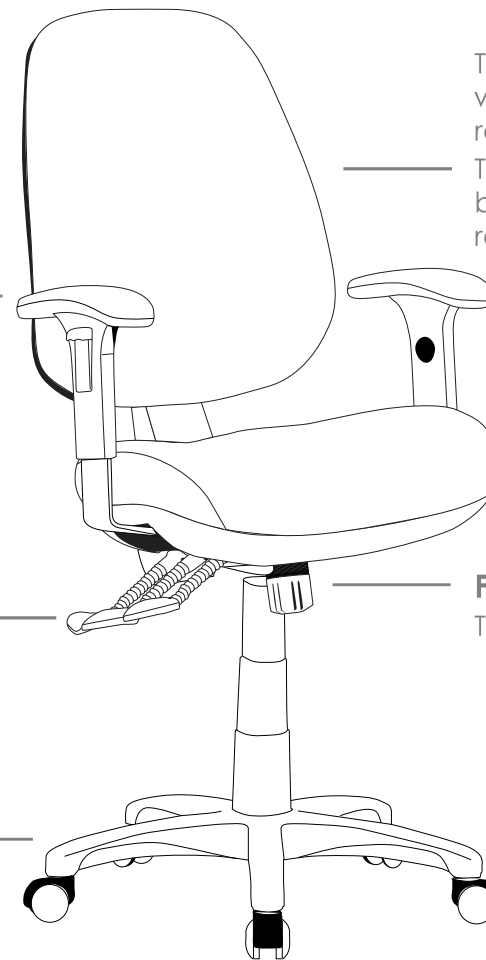
RIGHT FRONT LEVER
To adjust seat height

700MM BLACK NYLON 5 STAR
BASE WITH CASTORS

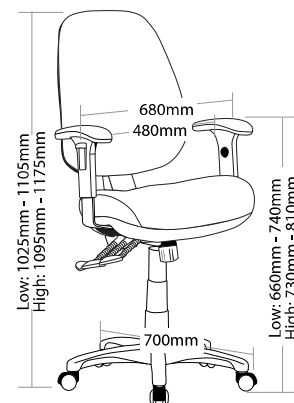
Use soft tyred castors for tiles
Use hard tyred castors for carpet

To adjust back height hold back with two hands while seated and raise to desired height
To lower the back height raise back all the way to the top and release slowly

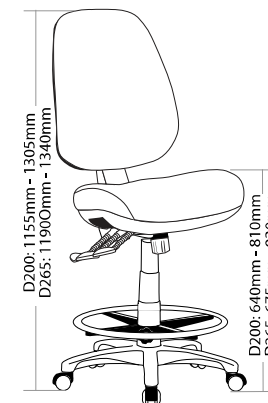
FRONT KNOB
To adjust weight tension



PR600



PR600C



PR600D

PROFILE TASK SEATING



PR600



PR600C



PR600D

R2 TASK SEATING

EPIC



FEATURES

- » Adjustable seat height
- » Adjustable back height (ratchet)
- » Adjustable back and seat angle
- » Adjustable weight tension
- » Optional adjustable arms
- » Moulded seat and back foam
- » Mega big boy seat
- » Not available with drafting and seat slider
- » 3 lever ergonomic heavy duty mechanism
- » 700mm black nylon base
- » Available in local fabrics
- » AFRDI tested to level 6
- » Suitable for indoor use only
- » 7 year warranty
- » Weight limit is 140kg

INDOOR USE ONLY

X Do not use as a step ladder

To adjust back height hold back with two hands while seated and raise to desired height
 To lower the back height raise back all the way to the top and release slowly

OPTIONAL ADJUSTABLE ARMS

RIGHT BACK LEVER
To adjust back angle

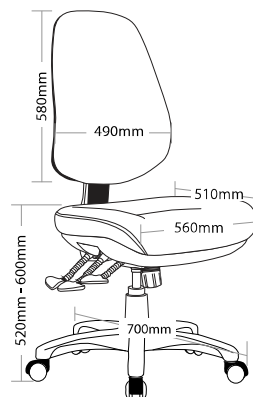
RIGHT MIDDLE LEVER
To adjust seat angle

RIGHT FRONT LEVER
To adjust seat height

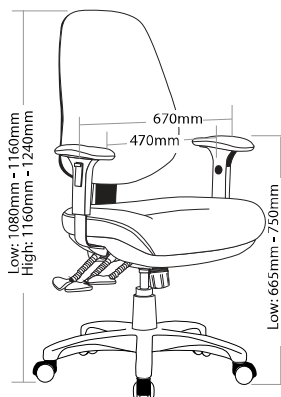
FRONT KNOB
To adjust weight tension

700MM BLACK NYLON 5 STAR BASE WITH CASTORS

Use soft tyred castors for tiles
 Use hard tyred castors for carpet



EPIC



EPIC-C

EPIC TASK SEATING



EPIC



EPIC-C



BACK VIEW

R2 TASK SEATING

SPIRAL



FEATURES

- » Adjustable seat height
- » Adjustable back height (ratchet)
- » Adjustable back and seat angle
- » Adjustable weight tension
- » Optional adjustable arms
- » Moulded seat and back foam
- » Mega big boy seat
- » Not available with drafting and seat slider
- » 3 lever ergonomic heavy duty mechanism
- » 700mm black nylon base
- » Available in local fabrics
- » AFRDI tested to level 6
- » Suitable for indoor use only
- » 7 year warranty
- » Weight limit is 140kg

INDOOR USE ONLY

✘ Do not use as a step ladder

To adjust back height hold back with two hands while seated and raise to desired height
To lower the back height raise back all the way to the top and release slowly

OPTIONAL ADJUSTABLE ARMS

RIGHT BACK LEVER
To adjust back angle

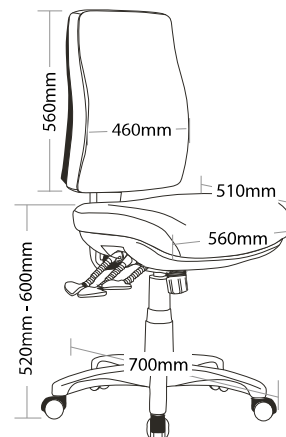
RIGHT MIDDLE LEVER
To adjust seat angle

RIGHT FRONT LEVER
To adjust seat height

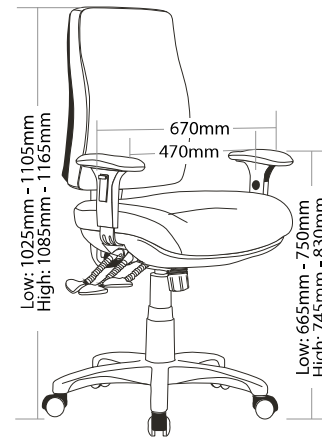
FRONT KNOB
To adjust weight tension

700MM BLACK NYLON 5 STAR BASE WITH CASTORS

Use soft tyred castors for tiles
Use hard tyred castors for carpet



SPIRAL



SPIRAL-C

SPIRAL TASK SEATING



SPIRAL



SPIRAL-C



BACK VIEW

R2 TASK SEATING

COMFORT



FEATURES

- » Adjustable seat height
- » Adjustable back height (ratchet)
- » Adjustable back and seat angle
- » Adjustable weight tension
- » Optional adjustable arms
- » Moulded seat and back foam
- » Mega big boy seat
- » Not available with drafting and seat slider
- » 3 lever ergonomic heavy duty mechanism
- » 700mm heavy duty 6 star black nylon base
- » Available in local fabrics
- » Suitable for indoor use only
- » 5 year warranty
- » Weight limit is 150kg

INDOOR USE ONLY

X Do not use as a step ladder

OPTIONAL ADJUSTABLE ARMS

RIGHT BACK LEVER
To adjust back angle

RIGHT MIDDLE LEVER
To adjust seat angle

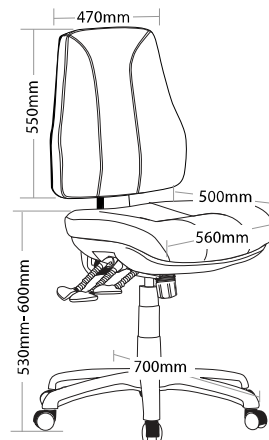
RIGHT FRONT LEVER
To adjust seat height

To adjust back height hold back with two hands while seated and raise to desired height
To lower the back height raise back all the way to the top and release slowly

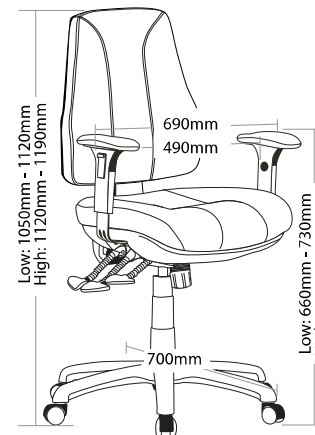
FRONT KNOB
To adjust weight tension

700MM BLACK NYLON 6 STAR BASE WITH CASTORS

Use soft tyred castors for tiles
Use hard tyred castors for carpet



COMFORT



COMFORT-C

COMFORT TASK SEATING



COMFORT



COMFORT-C



BACK VIEW

R2 TASK SEATING

MOLTA



FEATURES

- » Adjustable seat height
- » Adjustable back height (ratchet)
- » Adjustable back and seat angle
- » Adjustable weight tension
- » Optional adjustable arms
- » Moulded seat and back foam
- » Mega big boy seat
- » Not available with drafting and seat slider
- » 3 lever ergonomic heavy duty mechanism
- » 700mm heavy duty black 6 star nylon base
- » Available in local fabrics
- » Suitable for indoor use only
- » 5 year warranty
- » Weight limit is 150kg

INDOOR USE ONLY

✗ Do not use as a step ladder

OPTIONAL ADJUSTABLE ARMS

RIGHT BACK LEVER
To adjust back angle

RIGHT MIDDLE LEVER
To adjust seat angle

RIGHT FRONT LEVER
To adjust seat height

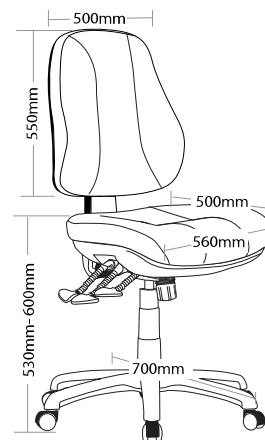
To adjust back height hold back with two hands while seated and raise to desired height
To lower the back height raise back all the way to the top and release slowly

FRONT KNOB

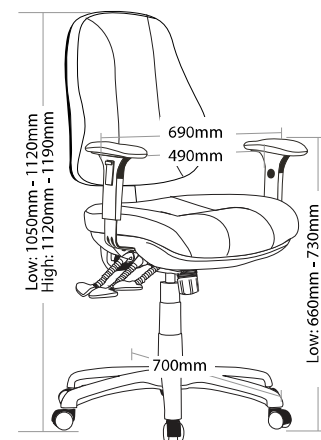
To adjust weight tension

700MM BLACK NYLON 6 STAR BASE WITH CASTORS

Use soft tyred castors for tiles
Use hard tyred castors for carpet



MOLTA



MOLTA-C

MOLTA TASK SEATING



MOLTA



MOLTA-C



BACK VIEW

R3 MULTI SHIFT SEATING

ROTARY



FEATURES

- » Available in 2 seat widths
- » High density foam
- » Plastic under pan
- » Heavy duty black textured metal frame
- » Available in local fabrics
- » Optional frame or base colour (please allow 5 more days)
- » Suitable for indoor use only
- » 7 Year warranty
- » Weight limit is 200kg

INDOOR USE ONLY

✘ Do not use as a step ladder

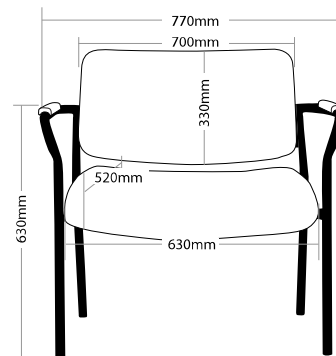
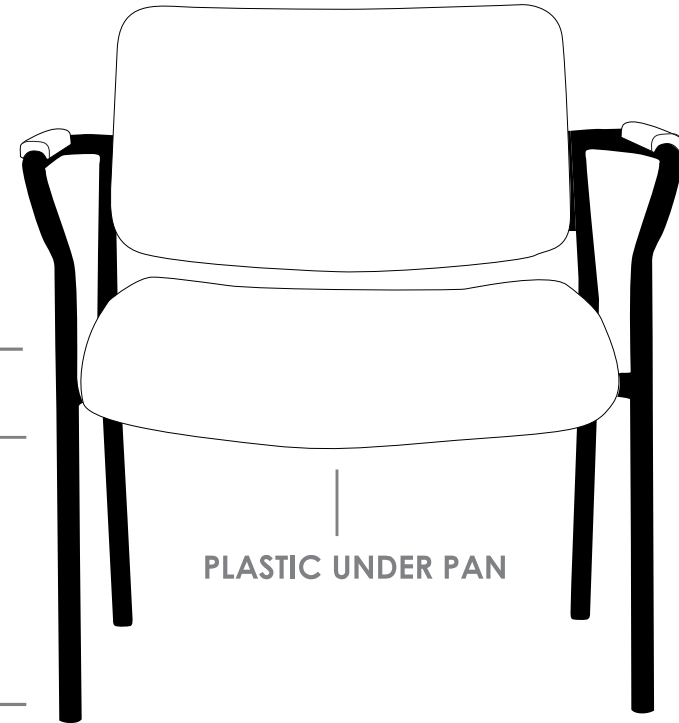
HIGH DENSITY FOAM

HEAVY DUTY FRAME

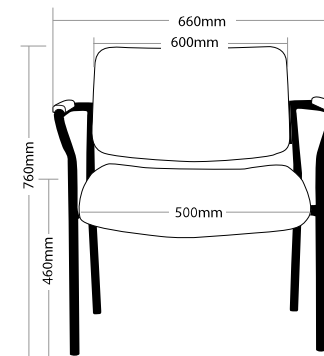
Textured metal frame
with black finish

PLASTIC UNDER PAN

Keep a permanent contact
between base of chair and floor



ROTARY-700



ROTARY-600

ROTARY MULTI SHIFT SEATING



ROTARY-700



ROTARY-600



SIDE VIEW

R3 MULTI SHIFT SEATING

MULTI



FEATURES

- » Adjustable seat height
- » Adjustable back height (ratchet) (available in low back only)
- » Adjustable seat and back angle
- » Adjustable seat depth (seat slider)
- » Adjustable arms
- » Available in high, medium and low back
- » Moulded seat foam
- » Mesh back
- » 700mm aluminium base
- » 4 lever ergonomic mechanism
- » Available in local fabrics
- » Optional frame or base colour (please allow 5 more days)
- » Suitable for indoor use only
- » 10 year warranty
- » Weight limit is 140kg

INDOOR USE ONLY

X Do not use as a step ladder

ADJUSTABLE ARMS

RIGHT BACK KNOB

To adjust seat depth (seat slider)

RIGHT BACK LEVER

To adjust back angle

RIGHT MIDDLE LEVER

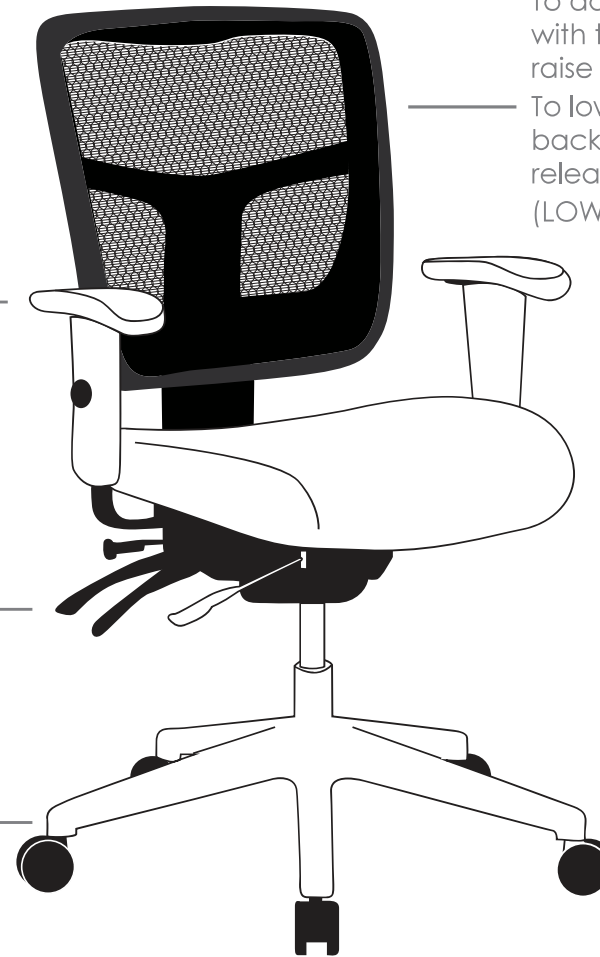
To adjust seat angle

RIGHT FRONT LEVER

To adjust seat height

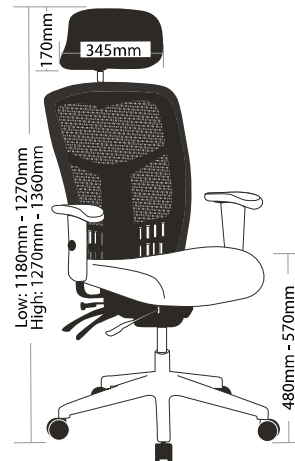
700MM ALUMINIUM 5 STAR BASE WITH CASTORS

Use soft tyred castors for tiles
Use hard tyred castors for carpet

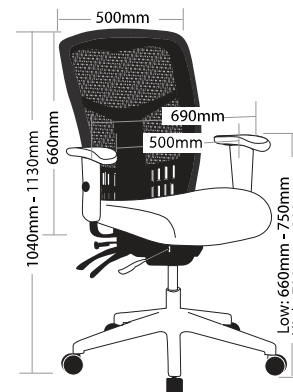


To adjust back height hold back with two hands while seated and raise to desired height

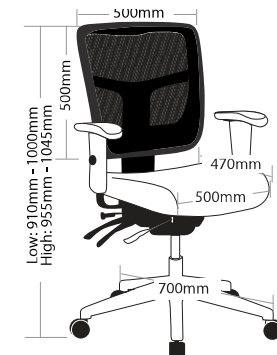
To lower the back height raise back all the way to the top and release slowly (LOW BACK ONLY)



MUEX1H



MUEX1M



MUEX1L

MULTI, MULTI SHIFT SEATING



MUEX1H



MUEX1M



MUEX1L

** Please note that the Headrest should not be used to manoeuvre the chair.*

R3 MULTI SHIFT SEATING

ROVER



FEATURES

- » Adjustable seat height
- » Adjustable back height (ratchet)
- » Adjustable seat and back angle
- » Adjustable weight tension
- » Adjustable arms
- » Available in high and low back
- » Moulded seat and back foam
- » 4 lever ergonomic mechanism
- » 700mm black nylon base
- » Available in local fabric
- » Suitable for indoor use only
- » 10 year warranty
- » Weight limit is 140kg

INDOOR USE ONLY

X Do not use as a step ladder

ADJUSTABLE ARMS

RIGHT FOURTH LEVER

To adjust back angle

RIGHT THIRD LEVER

To adjust seat angle

RIGHT SECOND LEVER

To adjust seat height

RIGHT FRONT LEVER

To adjust seat front angle

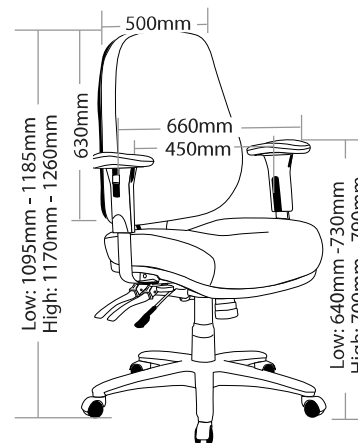
700MM BLACK NYLON
5 STAR BASE WITH CASTORS

Use soft tyred castors for tiles
Use hard tyred castors for carpet

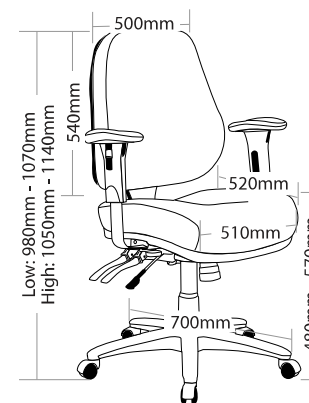
To adjust back height hold back with two hands while seated and raise to desired height
To lower the back height raise back all the way to the top and release slowly

FRONT KNOB

To adjust weight tension



ROVER-2HA



ROVER-2LA

ROVER MULTI SHIFT SEATING



ROVER-2HA



ROVER-2LA



BACK VIEW

R3 MULTI SHIFT SEATING

DUELER



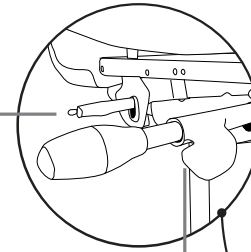
FEATURES

- » Adjustable seat height
- » Adjustable seat and back angle
- » Adjustable seat depth (seat slider)
- » Adjustable weight tension
- » Adjustable headrest
- » Adjustable arms
- » Moulded seat and back foam
- » Saddle seat
- » Double steel strengthened for both seat and back
- » Synchron mechanism with 3 locking positions
- » 720mm aluminium base
- » Available in local fabrics
- » AFRDI tested to level 6
- » AFRDI tested to multi shift use 160kg
- » Suitable for indoor use only
- » 7 year warranty
- » Weight limit is 160kg

INDOOR USE ONLY

X Do not use as a step ladder

INNER BACK LEVER
To adjust seat angle
(Forwards)



INNER RIGHT LEVER
To adjust seat height

RIGHT KNOB
To adjust weight tension

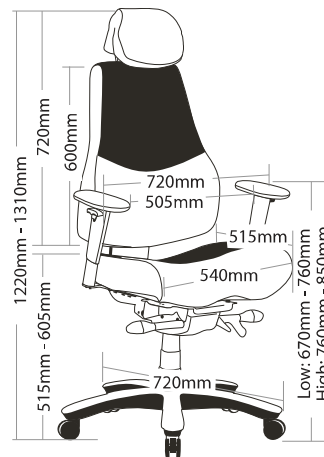
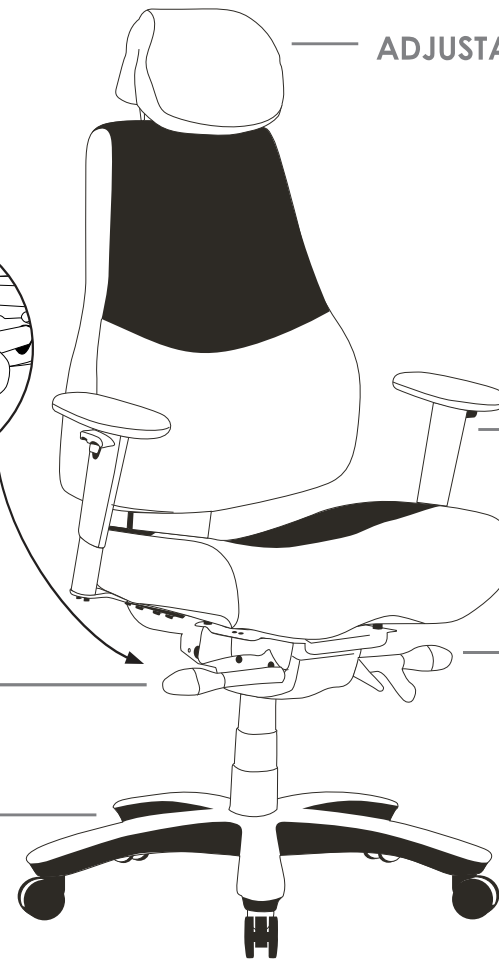
**720MM ALUMINIUM
5 STAR BASE WITH CASTORS**
Use soft tyred castors for tiles
Use hard tyred castors for carpet

ADJUSTABLE HEADREST

ADJUSTABLE ARMS

LEFT KNOB
To adjust seat and
back angle

INNER LEFT LEVER
To adjust seat depth
(seat slider)



DUELER

DUELER MULTI SHIFT SEATING



DUELER



SIDE VIEW



BACK VIEW

** Please note that the Headrest should not be used to manoeuvre the chair.*

R3 MULTI SHIFT SEATING

CONTROL



FEATURES

- » Adjustable seat height
- » Adjustable seat and back angle
- » Adjustable seat depth (seat slider)
- » Adjustable weight tension
- » Adjustable lumbar support
- » Optional headrest
- » Adjustable arms
- » Moulded seat and back foam
- » Saddle seat
- » Double steel strengthened for both seat and back
- » Synchron mechanism with 3 locking positions
- » 720mm aluminium base
- » Brake castors
- » AFRDI tested to level 6
- » Multi shift use 200kg
- » Available in local fabrics
- » Suitable for indoor use only
- » 7 year warranty
- » Weight limit is 200kg

INDOOR USE ONLY

✗ Do not use as a step ladder

INNER BACK LEVER
To adjust seat angle
(Forwards)

INNER RIGHT LEVER
To adjust seat height

BACK KNOB
To adjust lumbar

RIGHT KNOB
To adjust weight tension

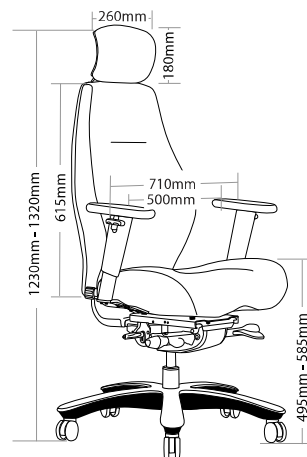
**720MM ALUMINIUM
5 STAR BASE WITH BRAKE CASTORS**

Use soft tyred castors for tiles
Use hard tyred castors for carpet

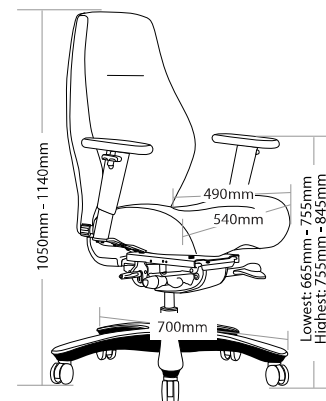
ADJUSTABLE ARMS

LEFT KNOB
To adjust seat and
back angle

INNER LEFT LEVER
To adjust seat depth
(seat slider)



CONTROL-H



CONTROL-L

CONTROL MULTI SHIFT SEATING



CONTROL-H

ADJUSTABLE LUMBAR



CONTROL-L



BACK VIEW

** Please note that the Headrest should not be used to manoeuvre the chair.*

R4 EXECUTIVE SEATING

REGAL

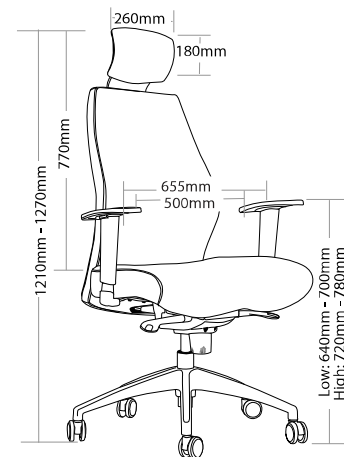
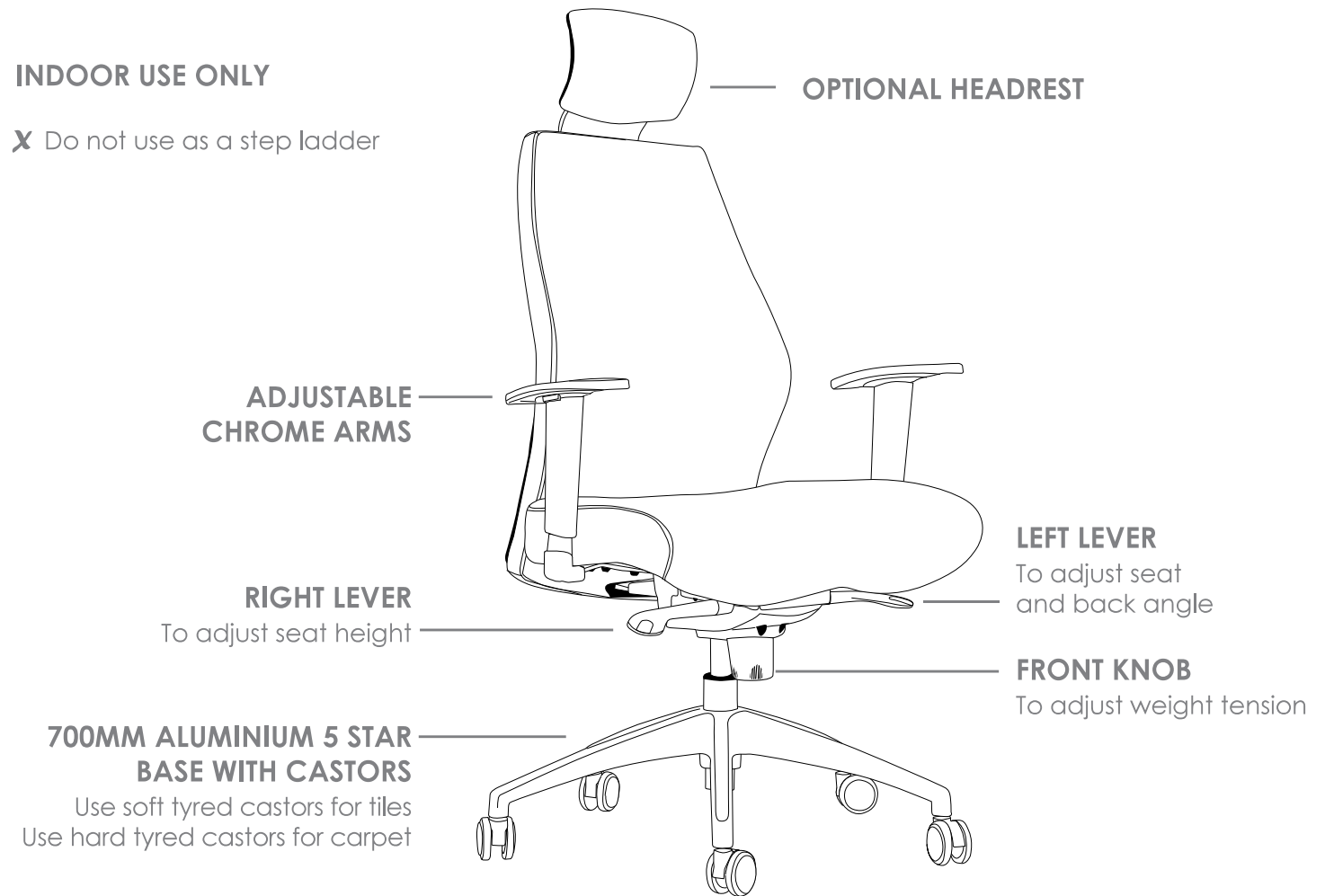


FEATURES

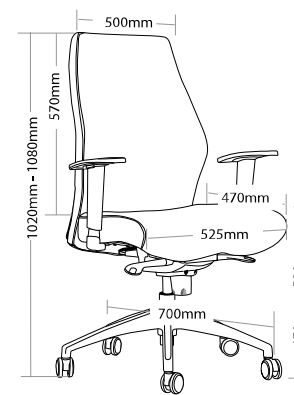
- » Adjustable seat height
- » Adjustable seat and back angle
- » Adjustable weight tension
- » Adjustable chrome arms
- » Optional headrest
- » Moulded back foam
- » Saddle seat
- » Synchron mechanism with 3 locking positions
- » 700mm aluminium base
- » Available in local fabrics
- » Optional frame or base colour (please allow 5 more days)
- » Suitable for indoor use only
- » 5 year warranty
- » Weight limit is 130kg

INDOOR USE ONLY

X Do not use as a step ladder



REGAL-H



REGAL-L

REGAL EXECUTIVE SEATING



REGAL-H



REGAL-L



BACK VIEW

** Please note that the Headrest should not be used to manoeuvre the chair.*

R4 EXECUTIVE SEATING

AUSTIN

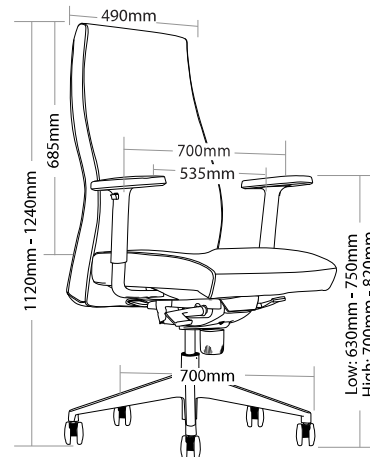
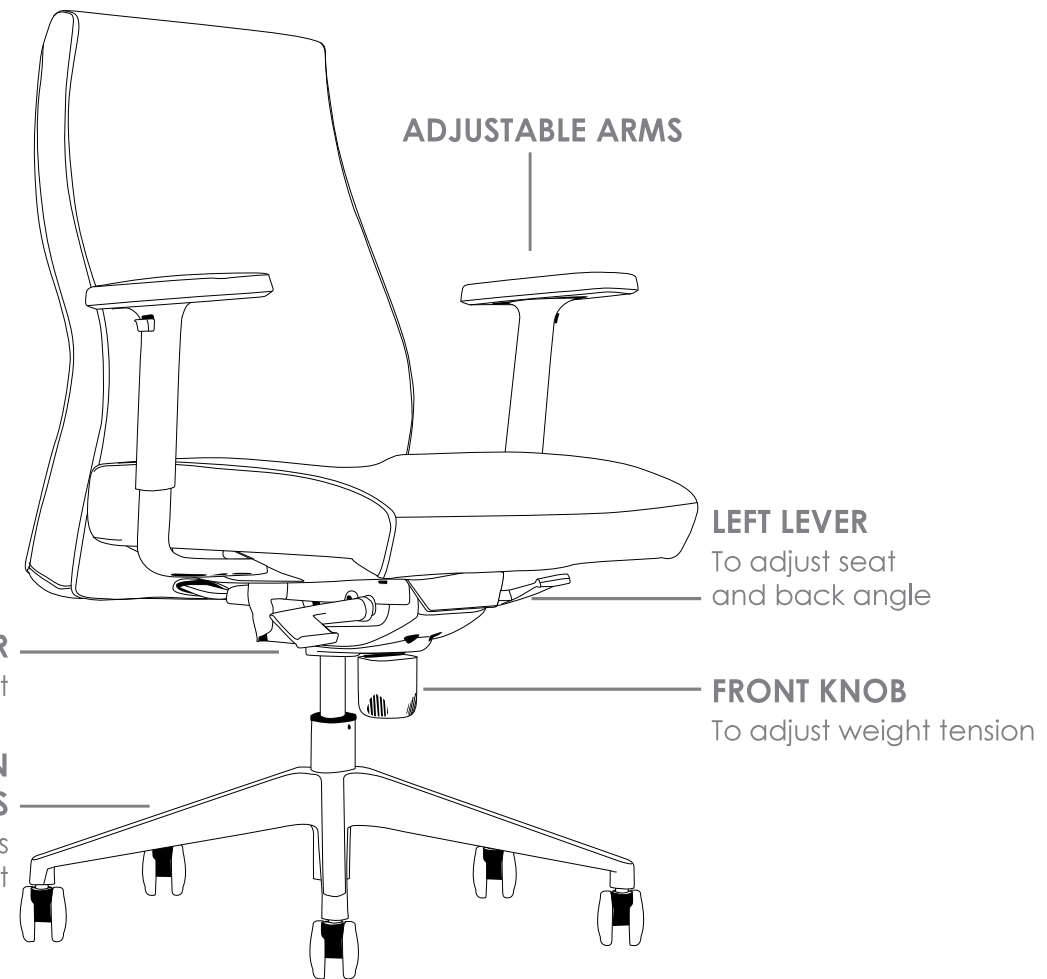


FEATURES

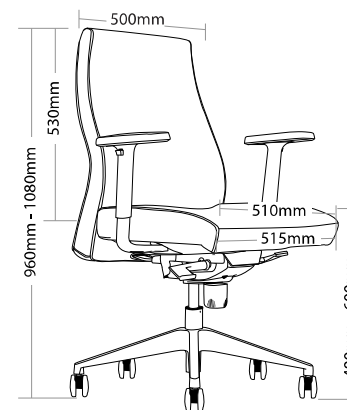
- » Adjustable seat height
- » Adjustable seat and back angle
- » Adjustable weight tension
- » Adjustable arms
- » Available in high and low back
- » Plastic under pan
- » Moulded seat and back foam
- » Synchron mechanism with 3 locking positions
- » 700mm heavy duty black nylon base
- » Available in local fabrics
- » Suitable for indoor use only
- » 5 year warranty
- » Weight limit is 130kg

INDOOR USE ONLY

X Do not use as a step ladder



AUSTIN-H



AUSTIN-L

AUSTIN EXECUTIVE SEATING



AUSTIN-H



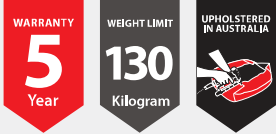
AUSTIN-L



BACK VIEW

R4 EXECUTIVE SEATING

PORTO



FEATURES

- » Adjustable seat height
- » Adjustable seat and back angle
- » Adjustable seat depth (seat slider)
- » Adjustable weight tension
- » Adjustable arms
- » Available in high and low back
- » Plastic under pan
- » Moulded seat and back foam
- » Synchron mechanism with 3 locking positions
- » 700mm alloy base
- » Available in local fabrics
- » Optional frame or base colour (please allow 5 more days)
- » Suitable for indoor use only
- » 5 year warranty
- » Weight limit is 130kg

INDOOR USE ONLY

X Do not use as a step ladder

ADJUSTABLE ARMS

RIGHT KNOB

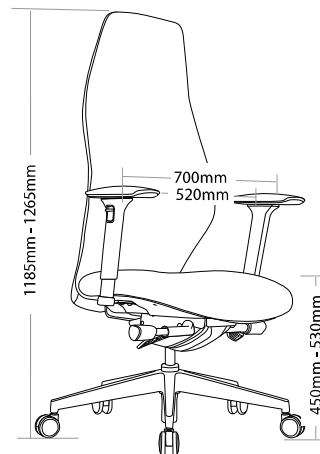
To adjust weight tension

INNER RIGHT LEVER

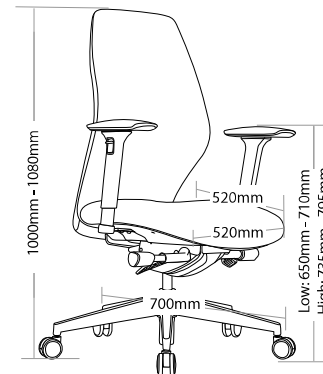
To adjust seat height

700MM ALLOY 5 STAR BASE WITH CASTORS

Use soft tyred castors for tiles
Use hard tyred castors for carpet



PORTO-H



PORTO-L

PORTO EXECUTIVE SEATING



PORTO-H



PORTO-L



BACK VIEW

R4 EXECUTIVE SEATING

ACURA



FEATURES

ACURA-H/ ACURA-L

- » Adjustable seat height
- » Adjustable seat and back angle
- » Adjustable weight tension
- » Available in high and low back
- » Fixed aluminium arms
- » High density foam
- » Knee tilt mechanism with 3 locking positions
- » 700mm aluminium base
- » Available in local fabrics
- » Optional frame or base colour (please allow 5 more days)
- » Suitable for indoor use only
- » 5 year warranty
- » Weight limit is 120kg

ACURA-VC

- » Chrome frame
- » High density foam
- » Available in local fabrics
- » Optional frame or base colour (please allow 5 more days)
- » Suitable for indoor use only
- » 5 year warranty
- » Weight limit is 120kg

INDOOR USE ONLY

X Do not use as a step ladder



RIGHT KNOB

Wind forwards or backwards to adjust weight tension

INNER RIGHT LEVER

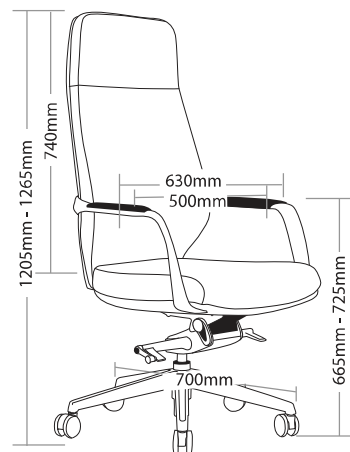
To adjust seat height

LEFT LEVER

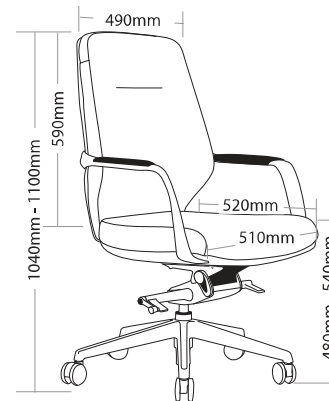
To adjust seat and back angle

700MM ALUMINIUM 5 STAR BASE WITH CASTORS

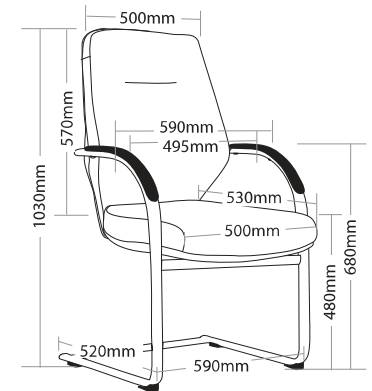
Use soft tyred castors for tiles
Use hard tyred castors for carpet



ACURA-H



ACURA-L



ACURA-VC

ACURA EXECUTIVE SEATING



ACURA-H



ACURA-L



ACURA-VC

R4 EXECUTIVE SEATING

ASSIST



FEATURES

- » Adjustable seat height
- » Adjustable seat and back angle
- » Adjustable seat depth (seat slider)
- » Adjustable weight tension
- » Fixed aluminium arms
- » Available in high and low back
- » Plastic under pan
- » Moulded seat and back foam
- » Synchron mechanism with 3 locking positions
- » 700mm alloy base
- » Available in local fabrics
- » Optional frame or base colour (please allow 5 more days)
- » Suitable for indoor use only
- » 5 year warranty
- » Weight limit is 130kg

INDOOR USE ONLY

✘ Do not use as a step ladder



RIGHT KNOB

To adjust weight tension

INNER RIGHT LEVER

To adjust seat height

LEFT KNOB

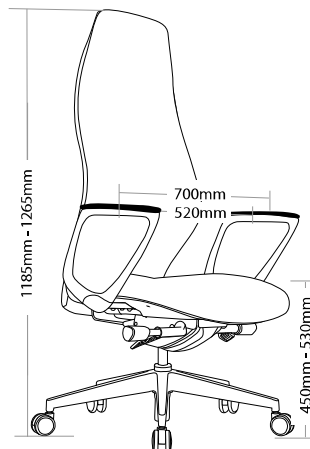
To adjust seat and back angle

INNER LEFT LEVER

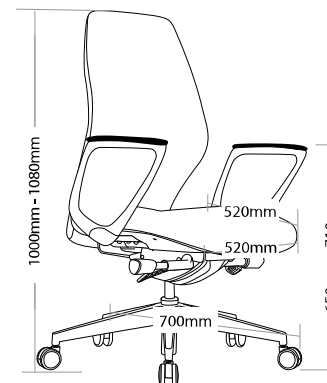
To adjust seat depth (seat slider)

700MM ALLOY 5 STAR BASE WITH CASTORS

Use soft tyred castors for tiles
Use hard tyred castors for carpet



ASSIST-H



ASSIST-L

ASSIST EXECUTIVE SEATING



ASSIST-H



ASSIST-L



BACK VIEW