



**Adco  
Office  
Furniture**  
desking • seating • storage



2022-2023

CATALOGUE

Effective on 01/09/2022



Warranty period for chairs, lounges and acoustic screens



Fully imported Chairs, lounges, parts and components.



Chairs, lounges upholstered in Australia



Weight rating for individual chairs and lounges\*

AFRDI 142 Certification



AFRDI rating for multi shift use and 160kg weight limit.



Furntech is an independent not-for-profit technical organisation providing standards, testing product certification and research for buyers and sellers of furniture.



The Performance criteria adopted for certification by Furntech is based on Australian standards, e.g. Level 6 - Severe commercial and heavy industrial.\*

*\*Weight limits are self-rated by Style Ergonomic Australia. Level 6 AFRDI approved chairs are normally rated to 110kg.*



BIFMA is a third-party certification program that provides manufacturers with valuable feedback for evaluating the environmental, human, and social impacts of their furniture products for manufacturing, facility, and organisation.



All instructions of use are instructed while sitting in the chair.

# R5 HOSPITALITY SEATING

## ASTRA



### FEATURES

- » Padded seat
- » Chrome frame
- » Available in local fabrics
- » Optional frame or base colour (please allow 5 more days)
- » Suitable for indoor use only
- » 3 year warranty
- » Weight limit is 120kg

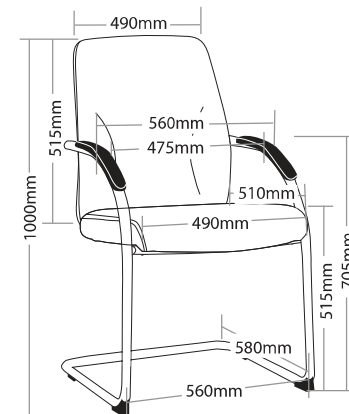
### INDOOR USE ONLY

✘ Do not use as a step ladder

CHROME FRAME

PADDED SEAT

Keep a permanent contact between base of chair and floor



ASTRA

# **ASTRA** HOSPITALITY SEATING



ASTRA



SIDE VIEW



BACK VIEW



# R5 HOSPITALITY SEATING

## FOCUS



### FEATURES

- » Optional arms
- » Optional left / right hand tablet arm
- » Optional black metal trolley, easy to move when stacked
- » Available in beam seating
- » Multi purpose stackable client chair
  - » Maximum 10 chairs on trolley
  - » Maximum 5 chairs on floor
  - » Maximum 3 chairs with arms
  - » Not stackable with tablet arms
- » Linkable except with tablet arms or arms
- » Fully strengthened plastic back shell
- » Fully welded frame
- » Available in all local fabrics
- » Optional frame or base colour (please allow 5 more days)
- » BIFMA drop tested
- » Suitable for indoor use only
- » 4 year warranty
- » Weight limit is 120kg

### INDOOR USE ONLY

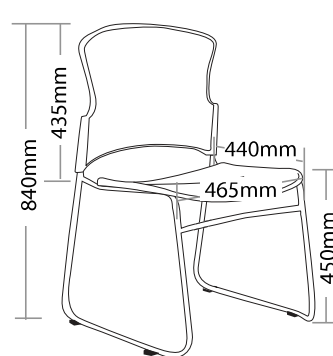
✗ Do not use as a step ladder

WELDED FRAME

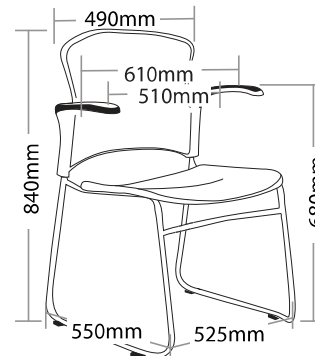
STACKABLE

SLED BASE FRAME

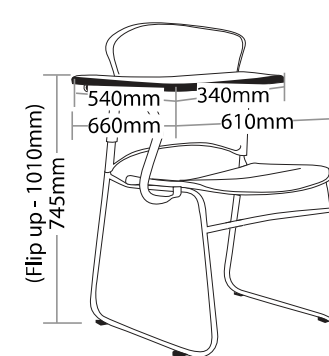
Keep a permanent contact between base of chair and floor



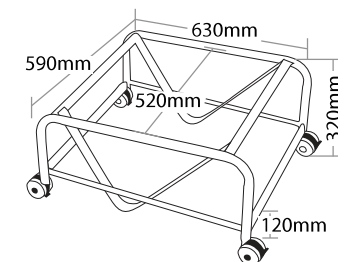
FOC-1U



FOC-1UA



FOC-1UTR



FOC-TRL

# FOCUS HOSPITALITY SEATING



FOC-1U



FOC-1UA



FOC-1UTR



FOC-1UTL



FOC-TRL



# R5 HOSPITALITY SEATING

## VINN



### FEATURES

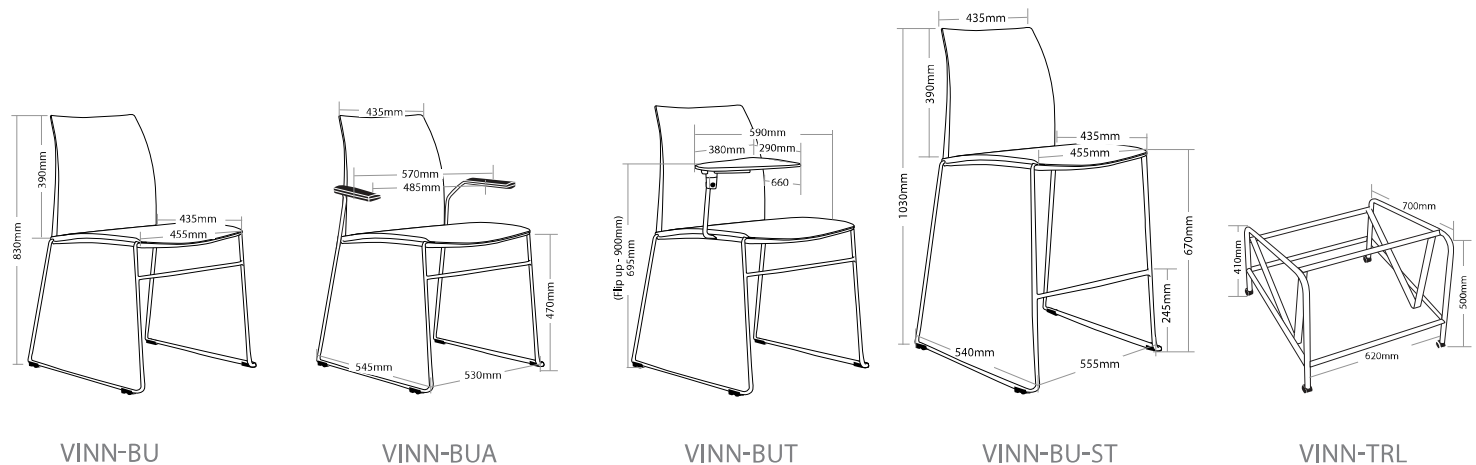
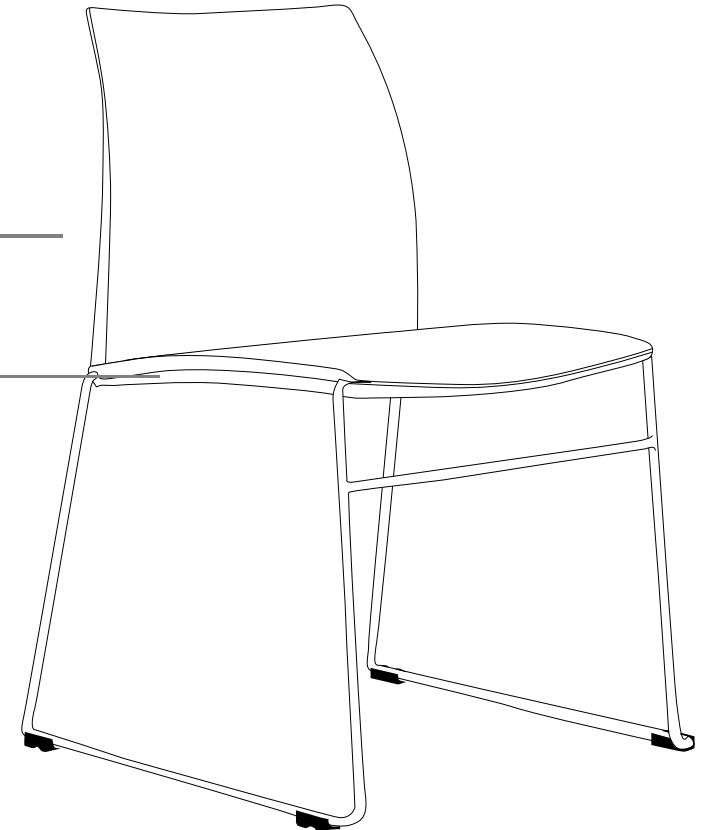
- » Optional plastic or mesh back
- » Optional arms, tablet arm or stool
- » Optional black metal trolley, easy to move when stacked
- » Available in beam seating
- » Stackable
  - » Maximum 10 chairs on trolley
  - » Maximum 5 chairs on floor
  - » Maximum 3 chairs with stools or arms
- » Not stackable with tablet arms or stool with arms
- » Linkable except with tablet arms or arms
- » Chrome finish
- » Black plastic
- » Plastic under pan
- » Solid steel sled base frame
- » Available in all local fabrics
- » Optional frame or base colour (please allow 5 more days)
- » Suitable for indoor use only
- » 4 year warranty
- » Weight limit is 120kg

### INDOOR USE ONLY

✘ Do not use as a step ladder

STACKABLE  
PLASTIC UNDER PAN

SOLID STEEL SLED BASE FRAME  
Keep a permanent contact between base of chair and floor



# VINN HOSPITALITY SEATING



VINN-BU



VINN-BUA



VINN-BUT



VINN-BU-ST



VINN-BU-STA



VINN-TRL



# R5 HOSPITALITY SEATING

## VINN MESH



### FEATURES

- » Optional plastic or mesh back
- » Optional arms, tablet arm or stool
- » Optional black metal trolley, easy to move when stacked
- » Available in beam seating
- » Stackable
  - » Maximum 10 chairs on trolley
  - » Maximum 5 chairs on floor
  - » Maximum 3 chairs with stools or arms
- » Not stackable with tablet arms or stool with arms
- » Linkable except with tablet arms or arms
- » Chrome finish
- » Black plastic
- » Plastic under pan
- » Solid steel sled base frame
- » Available in all local fabrics
- » Back mesh available in Jazz mesh
- » Optional frame or base colour (please allow 5 more days)
- » Suitable for indoor use only
- » 4 year warranty
- » Weight limit is 120kg

INDOOR USE ONLY

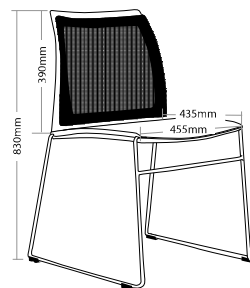
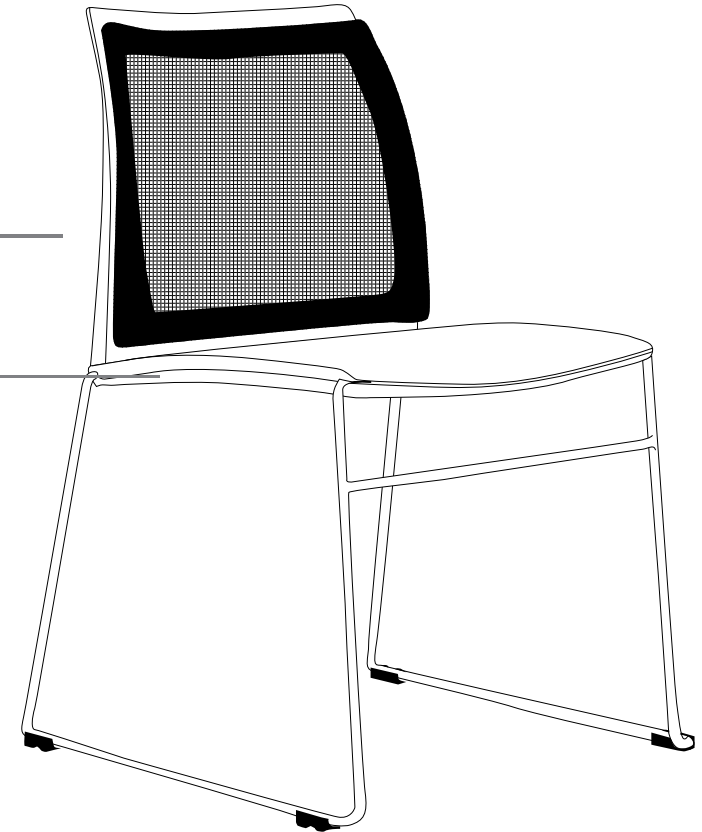
✗ Do not use as a step ladder

STACKABLE

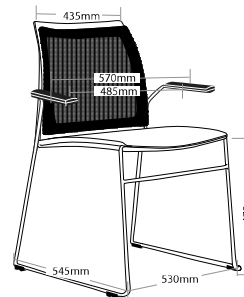
PLASTIC UNDER PAN

SOLID STEEL SLED BASE FRAME

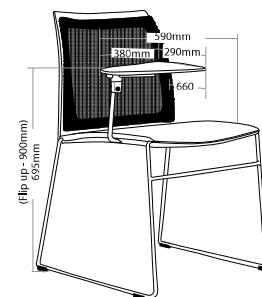
Keep a permanent contact between base of chair and floor



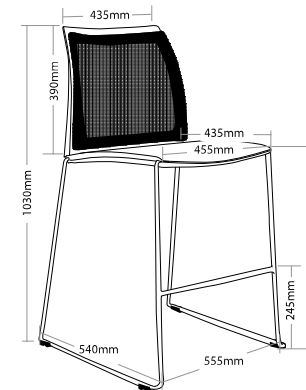
VINN-MBU



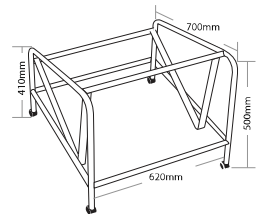
VINN-MBUA



VINN-MBUT



VINN-MBU-ST



VINN-TRL

# VINN MESH HOSPITALITY SEATING



VINN-MBU



VINN-MBUA



VINN-MBUT



VINN-MBU-ST



VINN-MBU-STA



VINN-TRL

# R5 HOSPITALITY SEATING

## POD



### FEATURES

- » Adjustable seat height (With black base and black base with castors only)
- » Optional upholstered
- » Optional 4 legs with timber finish
- » Optional 4 legs with black finish
- » Optional black base
- » Optional black base with castor
- » Not stackable
- » Available in local fabrics
- » Available in black, red and white plastic shell
- » Optional frame or base colour (please allow 5 more days)
- » Suitable for indoor use only
- » 4 year warranty
- » Weight limit is 120kg

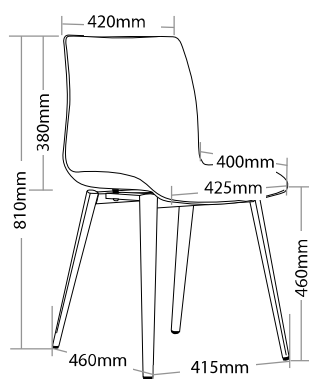
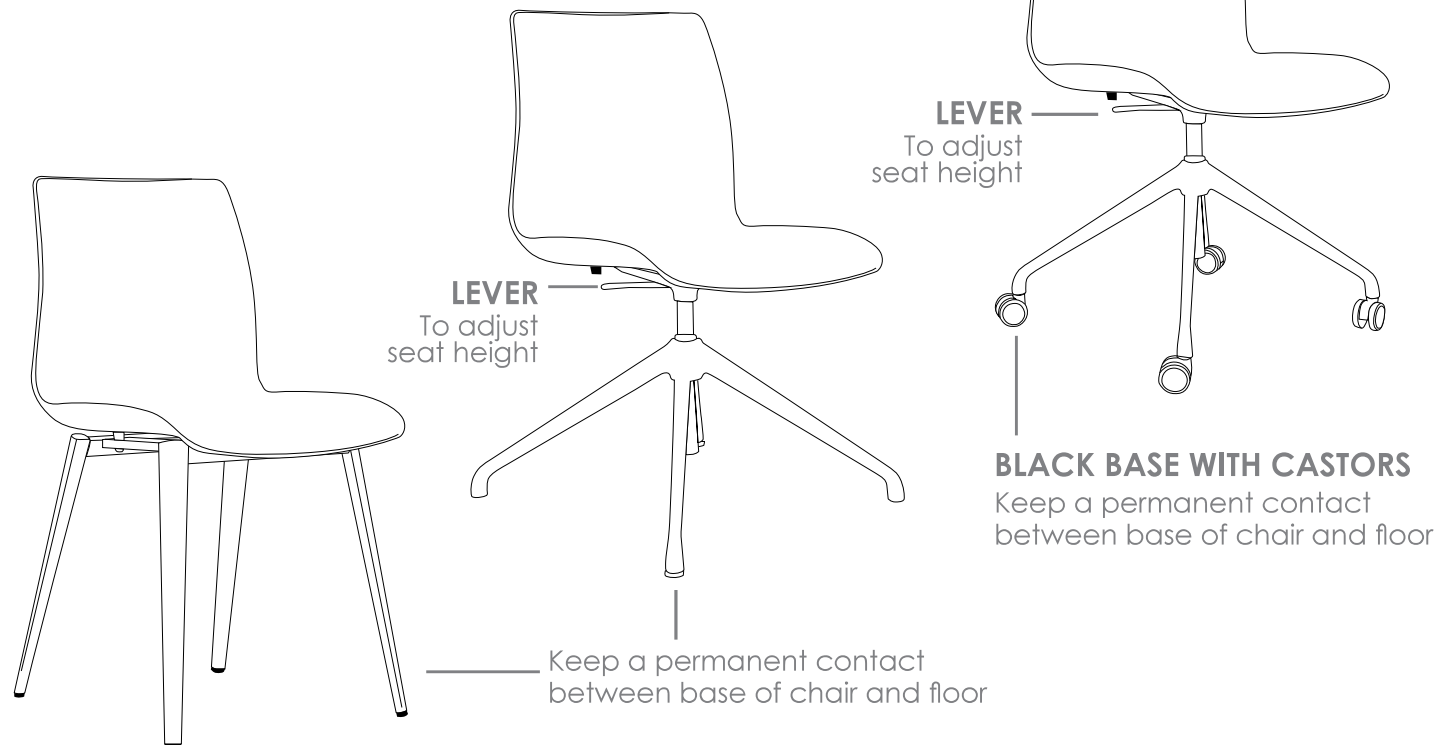
### PLASTIC COLOUR



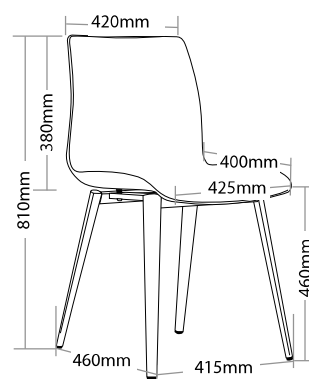
B-Black R-Red W-White

### INDOOR USE ONLY

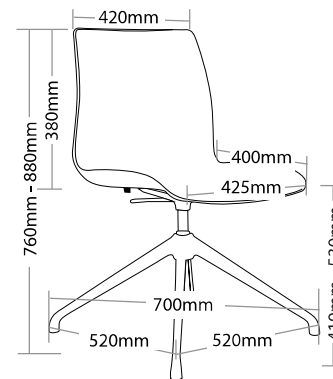
**X** Do not use as a step ladder



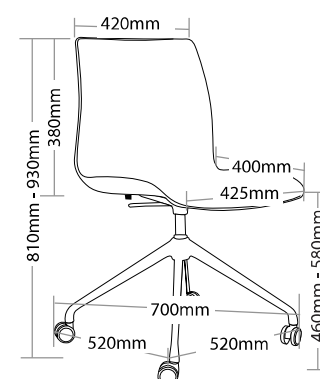
POD-NL



POD-BL



POD-BB



POD-BBC

# POD HOSPITALITY SEATING



POD-B-NL



POD-R-BL



POD-W-BB



POD-B-BBC



POD-RU-NL



POD-WU-BL



POD-BU-BB



POD-RU-BBC



# R5 HOSPITALITY SEATING

## POD 4 LEGS



### FEATURES

- » Optional arms
- » Optional tablet arm
- » Optional stool
- » Optional black metal trolley, easy to move when stacked
- » Optional 4 legs or sled base chrome frame
- » Available in beam seating
- » Stackable
  - » Maximum 10 chairs on trolley
  - » Maximum 5 chairs on floor
  - » Maximum 3 chairs with stools or arms
  - » Maximum 3 chairs with tablet arms
- » Plastic under pan
- » Available in local fabrics
- » Available in black, red and white plastic shell
- » Optional frame or base colour (please allow 5 more days)
- » Suitable for indoor use only
- » 4 year warranty
- » Weight limit is 120kg

### PLASTIC COLOUR



B-Black R-Red W-White

### INDOOR USE ONLY

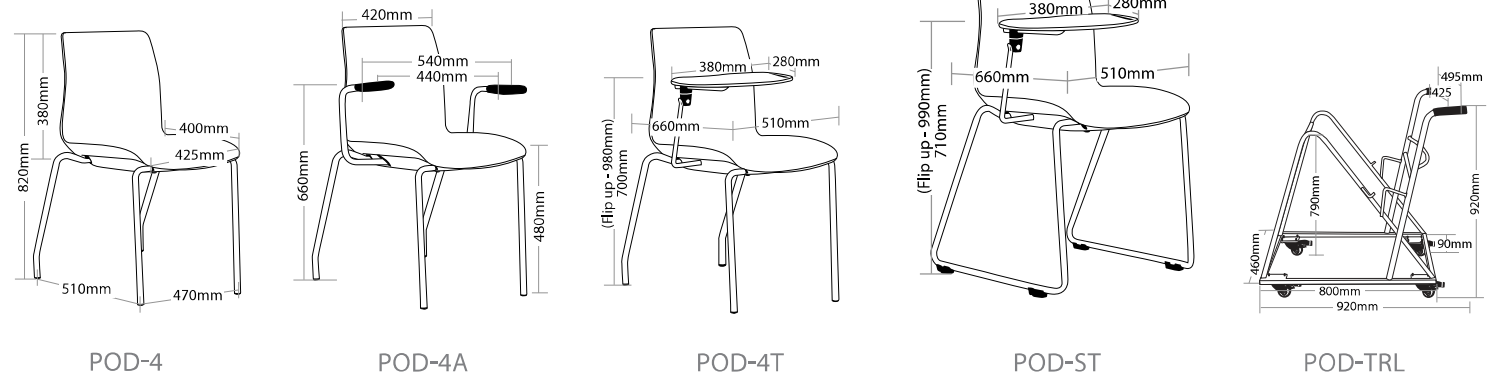
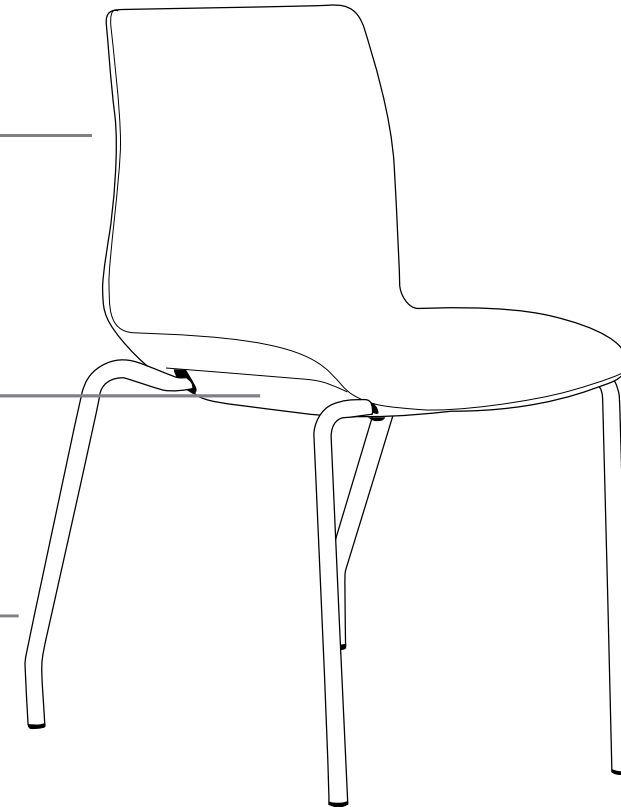
✗ Do not use as a step ladder

STACKABLE

PLASTIC UNDER PAN

4 LEGS FRAME

Keep a permanent contact between base of chair and floor



# POD 4 LEGS HOSPITALITY SEATING



POD-4BU



POD-4RUA



POD-4WUT



POD-STWU



POD-STBU



POD-TRL

# R5 HOSPITALITY SEATING

## POD SLED



### FEATURES

- » Optional arms
- » Optional tablet arms
- » Optional black metal trolley, easy to move when stacked
- » Optional 4 legs or sled base chrome frame
- » Available in beam seating
- » Stackable
  - » Maximum 10 chairs on trolley
  - » Maximum 5 chairs on floor
  - » Not stackable with arms or tablet arms
- » Plastic under pan
- » Available in local fabrics
- » Available in black, red and white plastic shell
- » Optional frame or base colour (please allow 5 more days)
- » Suitable for indoor use only
- » 4 year warranty
- » Weight limit is 120kg

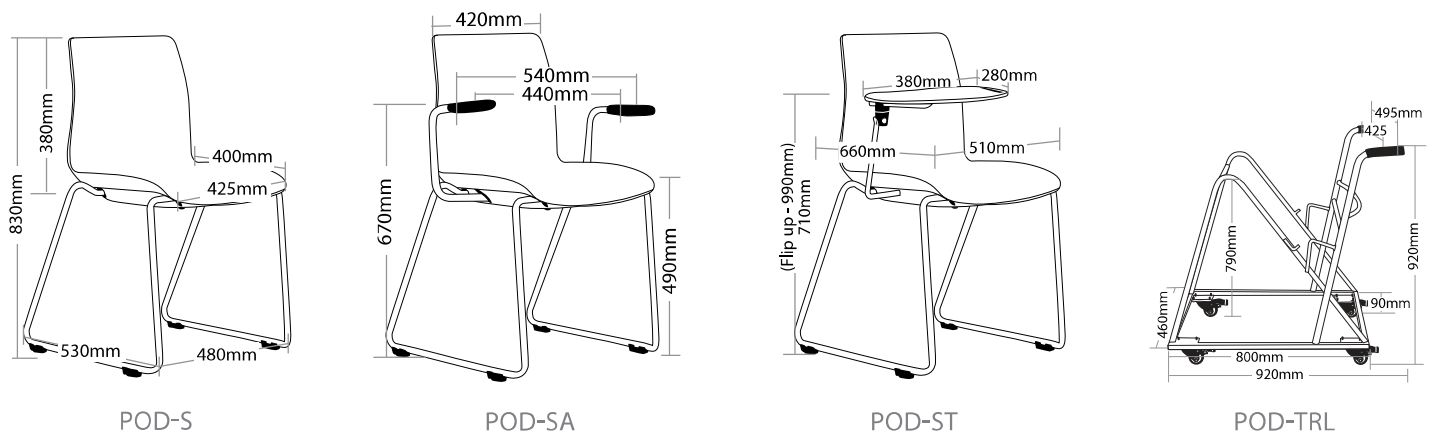
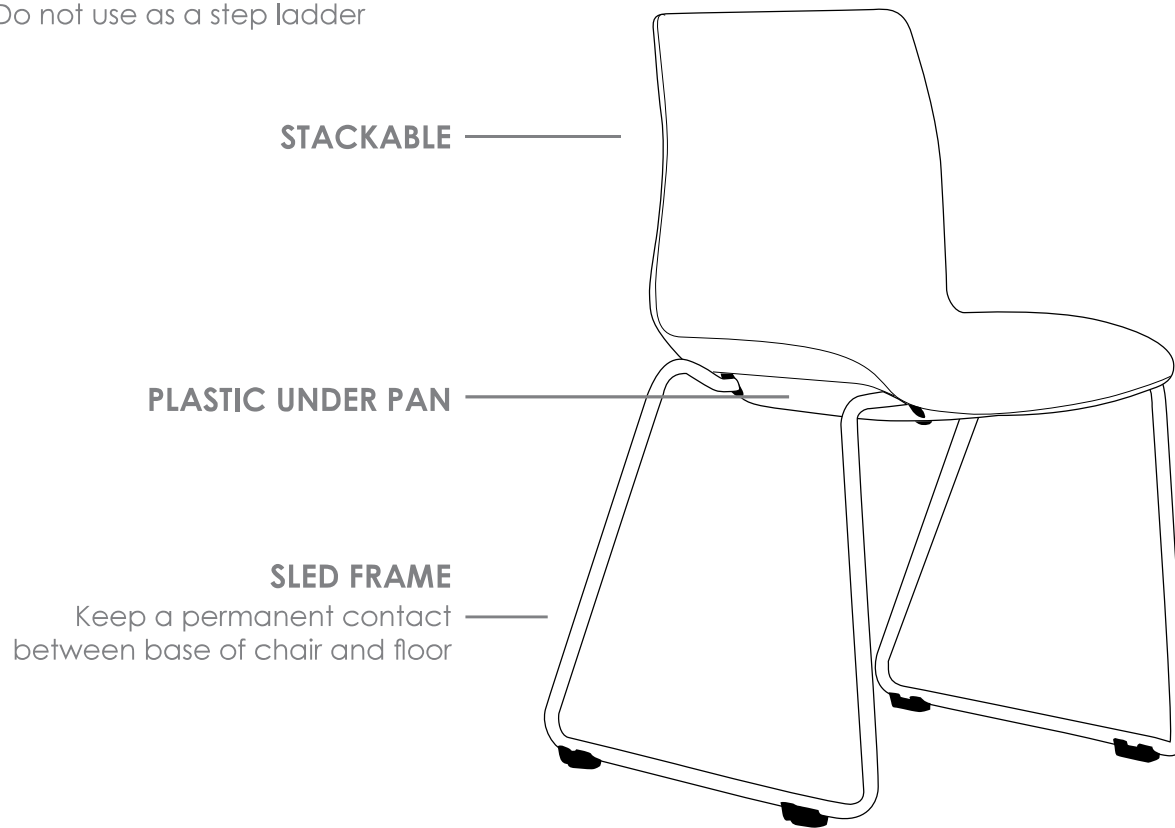
### PLASTIC COLOUR



B-Black R-Red W-White

### INDOOR USE ONLY

✗ Do not use as a step ladder



# POD SLED HOSPITALITY SEATING



POD-SBU



POD-SRUA



POD-SWUT



POD-TRL



# R5 HOSPITALITY SEATING

## MAXI 4 LEGS



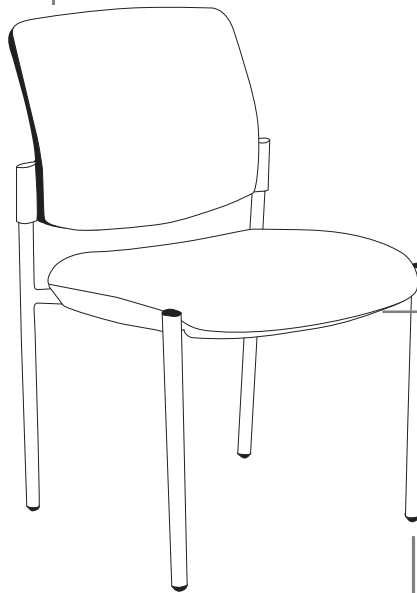
### FEATURES

- » Available with or without arms
- » Available in beam seating
- » Optional black or chrome finish
- » Optional upholstered or mesh back
- » Plastic under pan
- » Plastic outer back (upholstered back only)
- » 4 legs frame
- » Available in local fabrics
- » Back mesh available in Jazz mesh
- » Optional frame or base colour (please allow 5 more days)
- » AFRDI approved to level 6
- » Suitable for indoor use only
- » 5 year warranty
- » Weight limit is 120kg

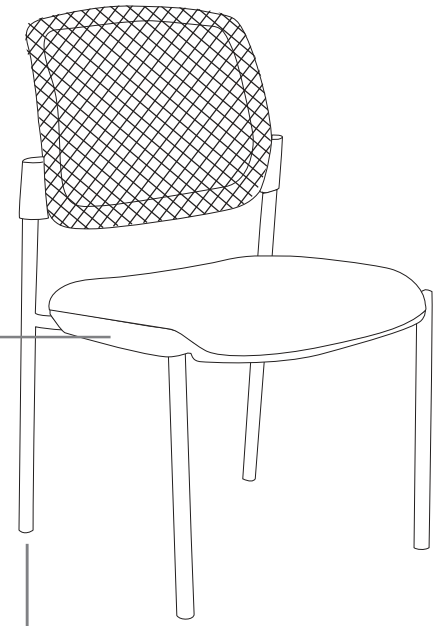
### INDOOR USE ONLY

X Do not use as a step ladder

PLASTIC OUTER BACK

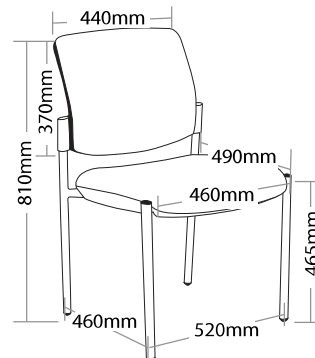


PLASTIC UNDER PAN

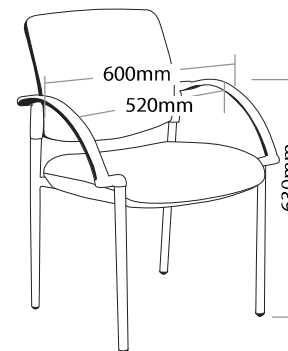


4 LEGS FRAME

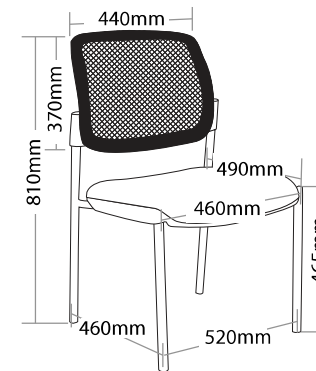
Keep a permanent contact between base of chair and floor



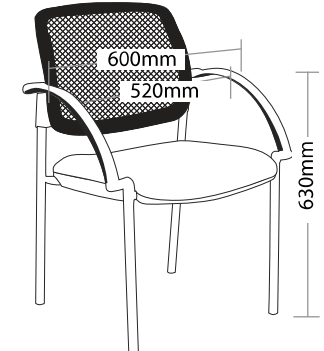
M1



M1-B



MM1



MM1-B

# MAXI 4 LEGS HOSPITALITY SEATING



M1



M1-B



M1-C



M1-BC



MM1



MM1-B



MM1-C



MM1-BC

# R5 HOSPITALITY SEATING

## MAXI SLED

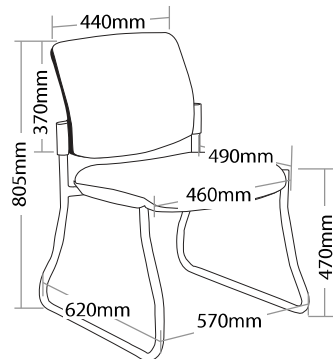
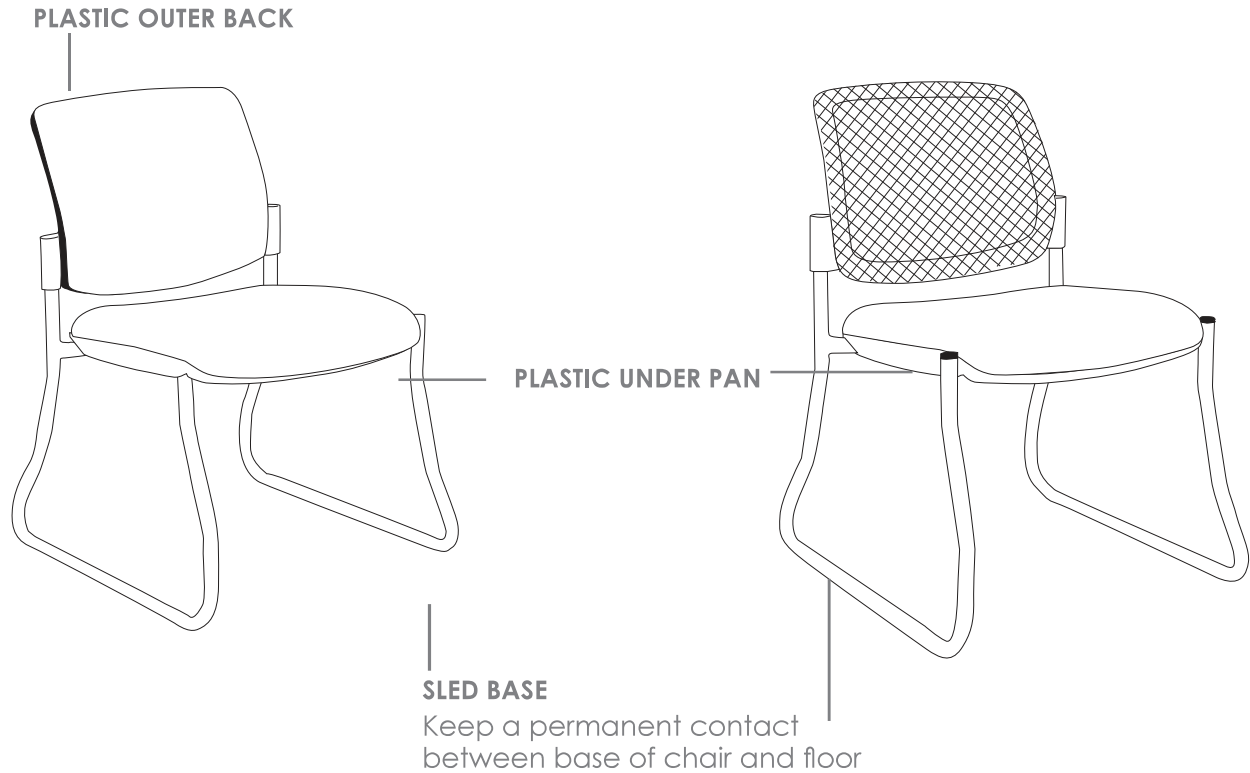


### FEATURES

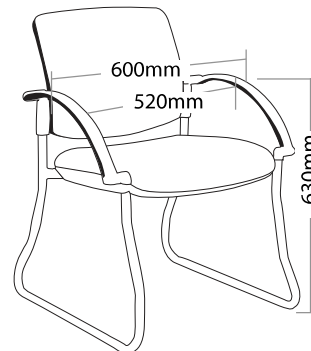
- » Available with or without arms
- » Available in beam seating
- » Optional black or chrome finish
- » Optional upholstered or mesh back
- » Stackable except with arms (Limit of 3)
- » Plastic under pan
- » Plastic outer back (upholstered back only)
- » Sled base frame
- » Available in local fabrics
- » Back mesh available in Jazz mesh
- » Optional frame or base colour (please allow 5 more days)
- » AFRDI approved to level 6
- » Suitable for indoor use only
- » 5 year warranty
- » Weight limit is 120kg

### INDOOR USE ONLY

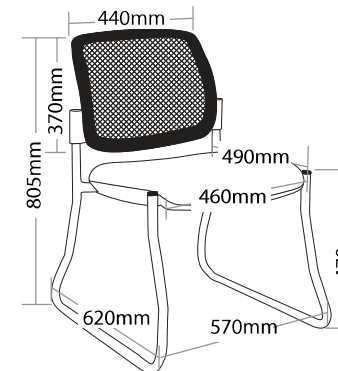
✗ Do not use as a step ladder



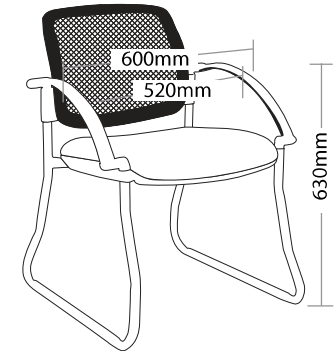
M4



M4-A



MM4



MM4-A

# MAXI SLED HOSPITALITY SEATING



M4



M4-A



M4-C



M4-AC



MM4



MM4-A



MM4-C



MM4-AC



# R5 HOSPITALITY SEATING

## VERA



### FEATURES

- » Optional 4 leg or sled base
- » Optional round or square back
- » Optional black or chrome finish
- » Optional arms
- » Optional tablet arms
- » Stackable
  - » Maximum 4 chairs with 4 leg base on floor
  - » Maximum 3 chairs with sled base on floor
  - » Not stackable with sled base with arms
  - » Not stackable with tablet arms
- » Heavy duty metal frame
- » Available in local fabrics
- » Optional frame or base colour (please allow 5 more days)
- » Suitable for indoor use only
- » 5 year warranty
- » Weight limit is 120kg

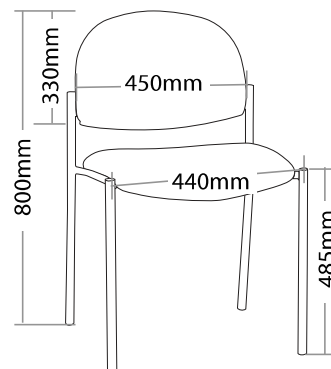
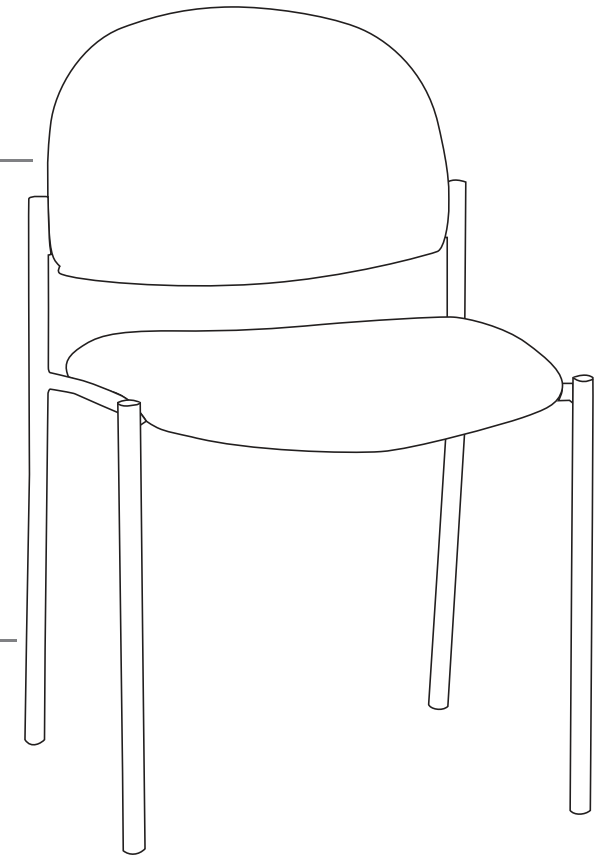
### INDOOR USE ONLY

X Do not use as a step ladder

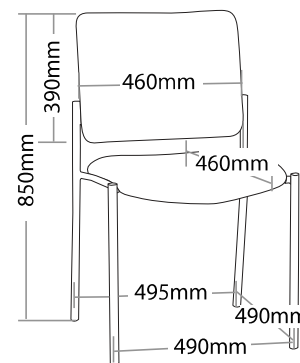
STACKABLE

HEAVY DUTY METAL FRAME

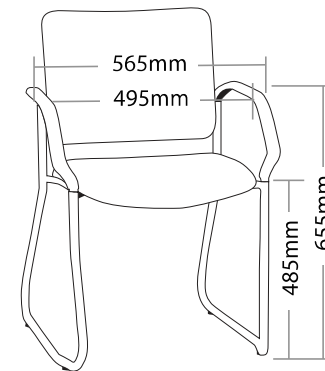
Keep a permanent contact between base of chair and floor



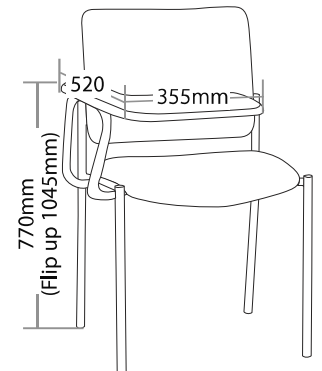
VC100



OGVC100



OGVC400-A



OGVC100-TR

# VERA HOSPITALITY SEATING



VC100



VC400-A



VC400AC



VC100-TR



OGVC100



OGVC100-B



OGVC400-A



OGVC400-TR

# R6 BEAM SEATING

## MAXI

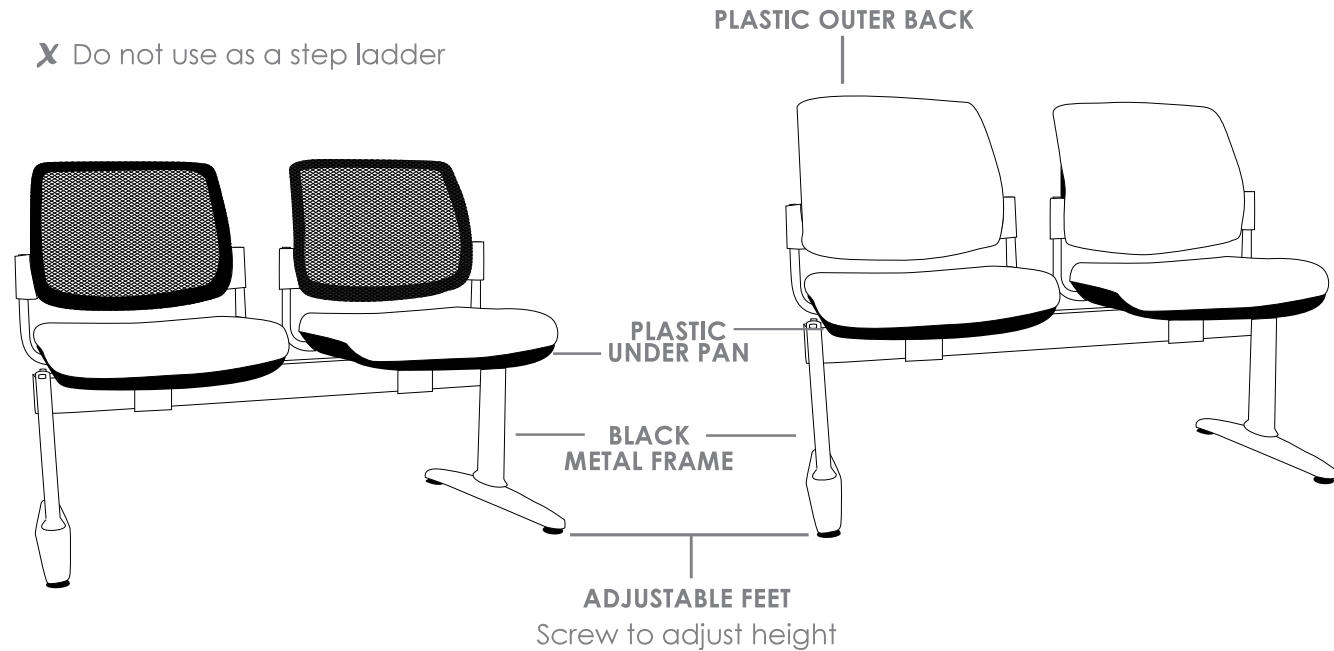


### FEATURES

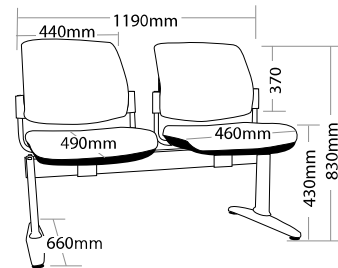
- » Optional 2, 3 or 4 seater
- » Optional fully upholstered back or mesh
- » Plastic under pan
- » Plastic outer back (upholstered back only)
- » Black metal frame
- » Adjustable feet
- » Available in local fabrics
- » Back mesh available in Jazz mesh
- » Suitable for indoor use only
- » 4 year warranty
- » Weight limit for 2 seater is 200kg
- » Weight limit for 3 seater is 300kg
- » Weight limit for 4 seater is 350kg

### INDOOR USE ONLY

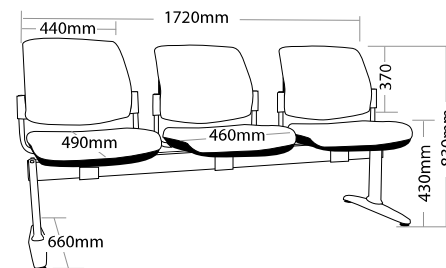
✗ Do not use as a step ladder



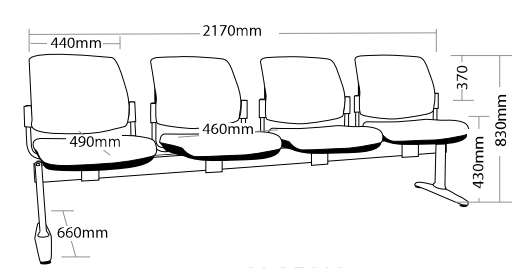
Keep a permanent contact between base of chair and floor



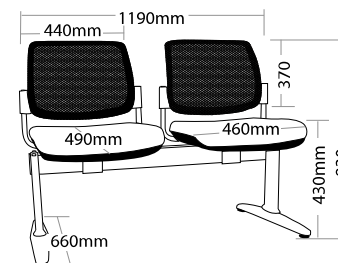
M-BEAM 2



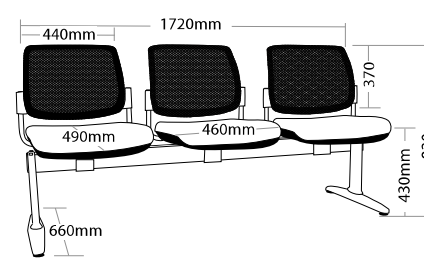
M-BEAM 3



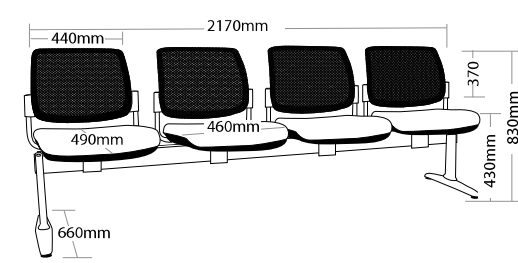
M-BEAM 4



MM-BEAM 2



MM-BEAM 3



MM-BEAM 4

# MAXI BEAM SEATING



M-BEAM 2



M-BEAM 3



M-BEAM 4



MM-BEAM 2



MM-BEAM 3



MM-BEAM 4

# R6 BEAM SEATING

## FOCUS

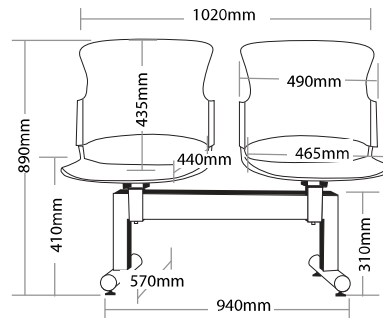
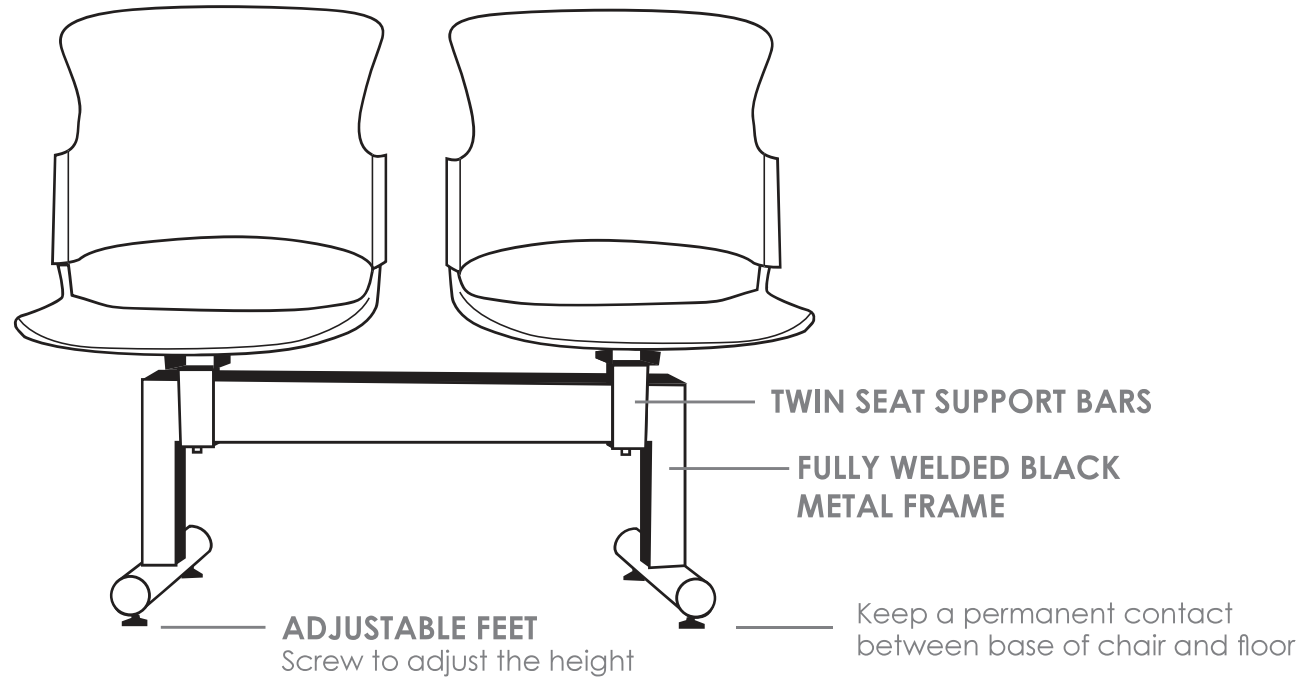


### FEATURES

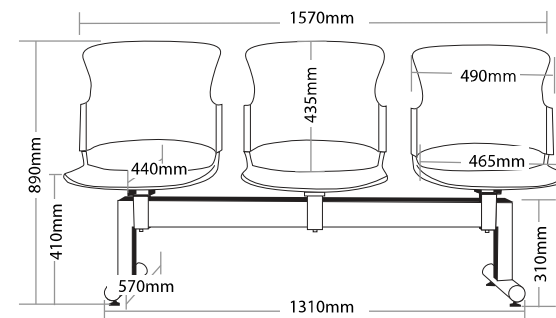
- » Optional 2 or 3 seater
- » Fully welded black metal frame
- » Twin seat support bars
- » Adjustable feet
- » Available in local fabrics
- » Suitable for indoor use
- » 4 year warranty
- » Weight limit for 2 seater is 200kg
- » Weight limit for 3 seater is 300kg

### INDOOR USE ONLY

✗ Do not use as a step ladder



F-BEAM 2



F-BEAM 3

# FOCUS BEAM SEATING



F-BEAM 2U



F-BEAM 3U



# R6 BEAM SEATING

## VINN

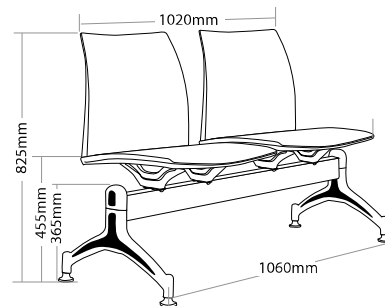
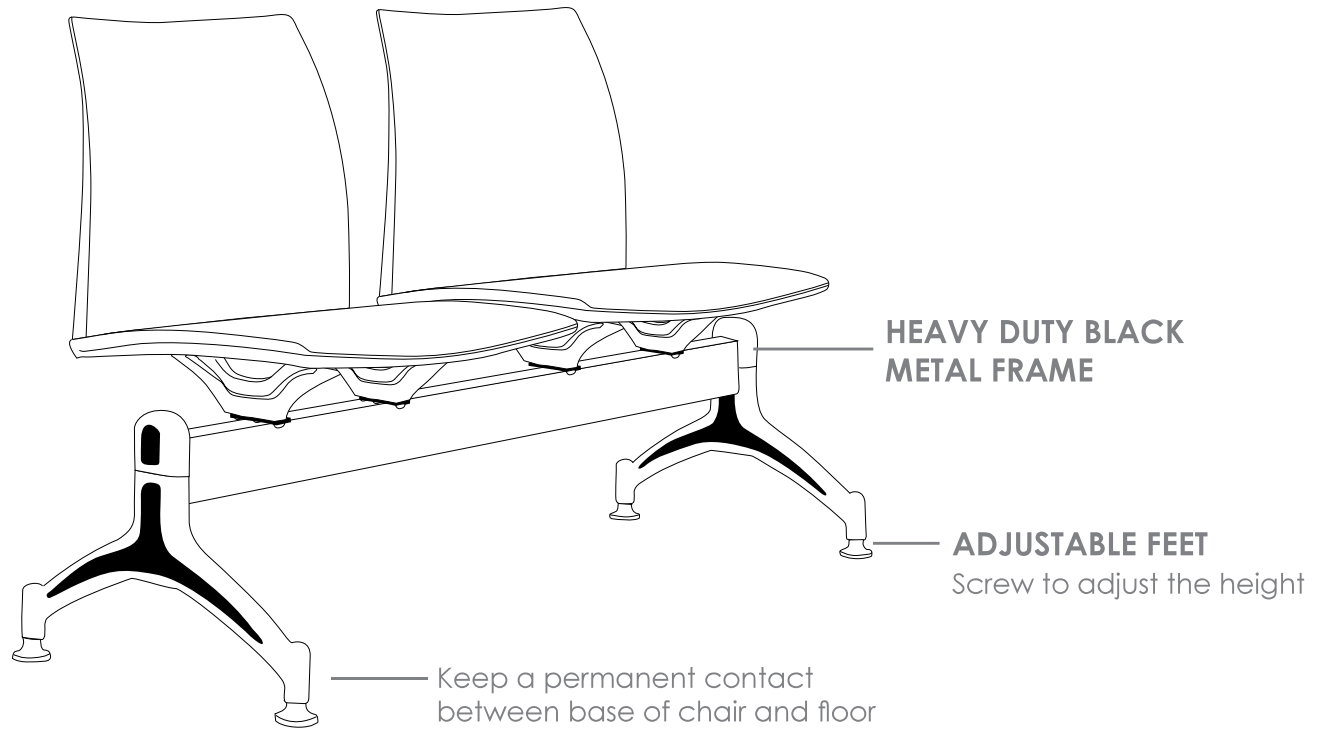


### FEATURES

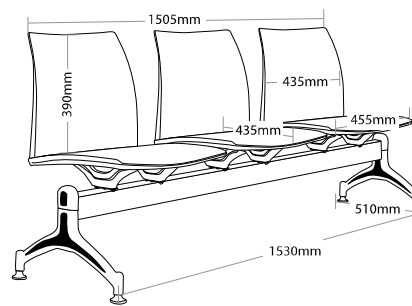
- » Optional 2, 3 or 4 seater
- » Optional plastic or mesh back
- » Heavy duty black metal beam frame
- » Black plastic
- » Adjustable feet
- » Available in local fabrics
- » Back mesh available in Jazz fabric
- » Suitable for indoor use
- » 4 year warranty
- » Weight limit for 2 seater is 180kg
- » Weight limit for 3 seater is 250kg
- » Weight limit for 4 seater is 300kg

### INDOOR USE ONLY

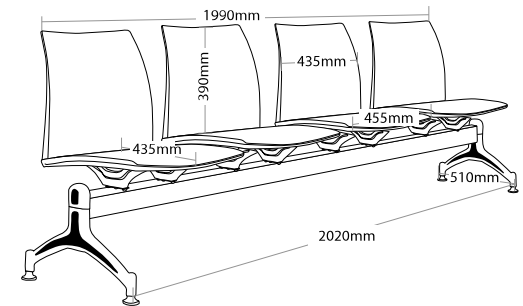
**X** Do not use as a step ladder



V-BEAM 2



V-BEAM 3



V-BEAM 4

# VINN BEAM SEATING



V-BEAM 2U



V-BEAM 3U



V-BEAM 4U



V-BEAM 2MU



V-BEAM 3MU



V-BEAM 4MU

# R6 BEAM SEATING

## POD



### FEATURES

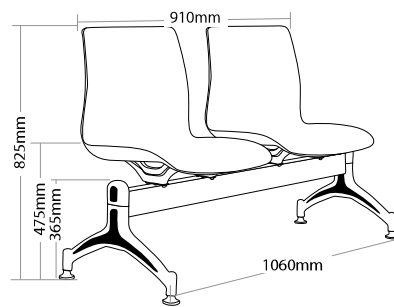
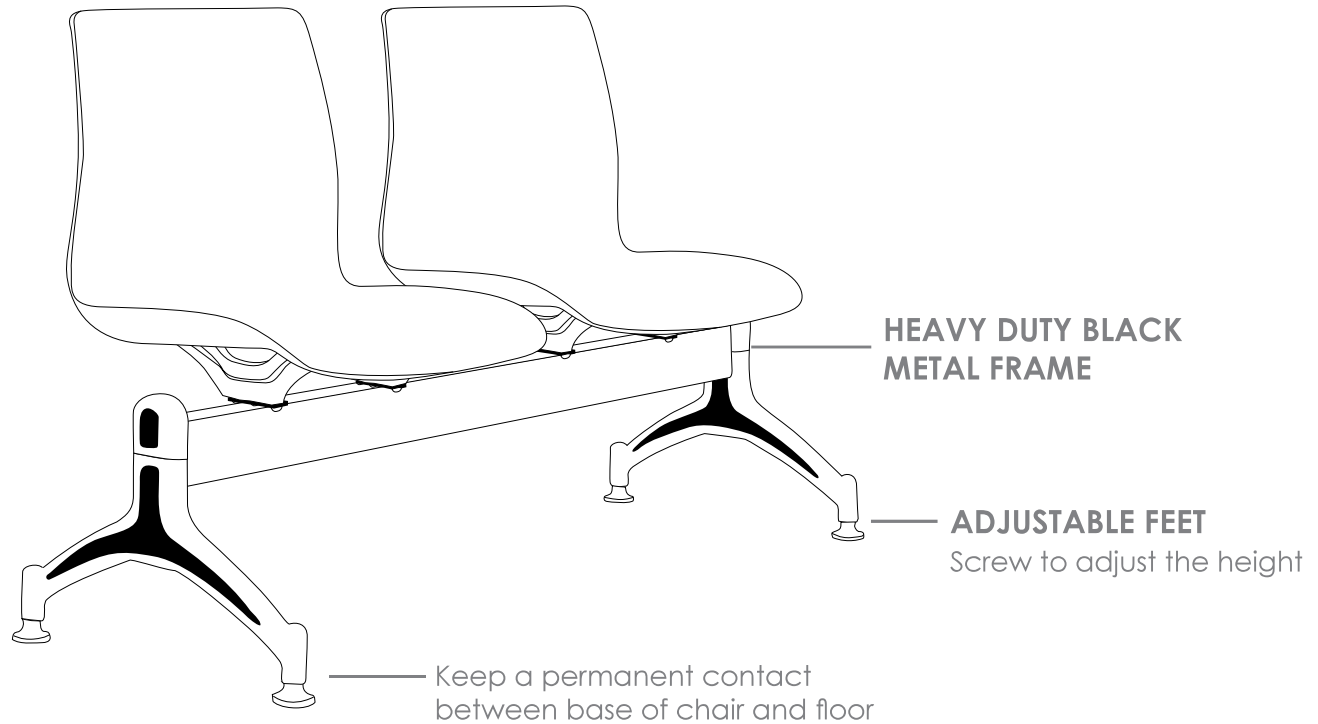
- » Optional 2, 3 or 4 seater
- » Heavy duty black metal beam frame
- » Adjustable feet
- » Available in local fabrics
- » Available in black, red and white plastic only
- » Suitable for indoor use
- » 4 Year warranty
- » Weight limit for 2 seater is 200kg
- » Weight limit for 3 seater is 300kg
- » Weight limit for 4 seater is 350kg

### PLASTIC COLOUR

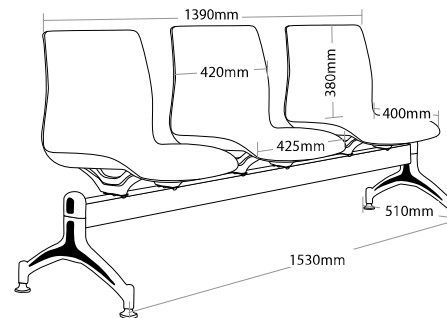


### INDOOR USE ONLY

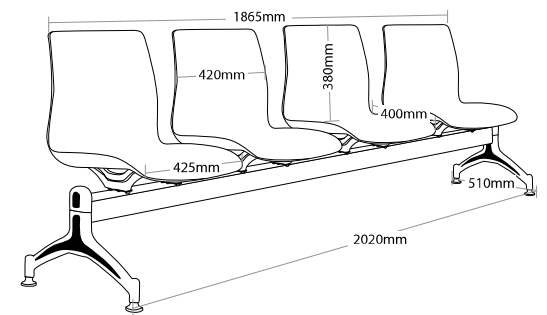
**X** Do not use as a step ladder



P-BEAM 2



P-BEAM 3



P-BEAM 4

# POD BEAM SEATING



P-BEAM 2BU



P-BEAM 3RU



P-BEAM 4WU

# R7 BREAKOUT SEATING

## SMOKE

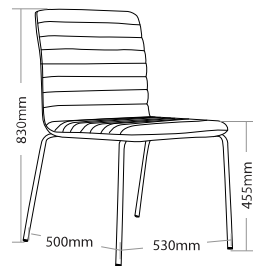
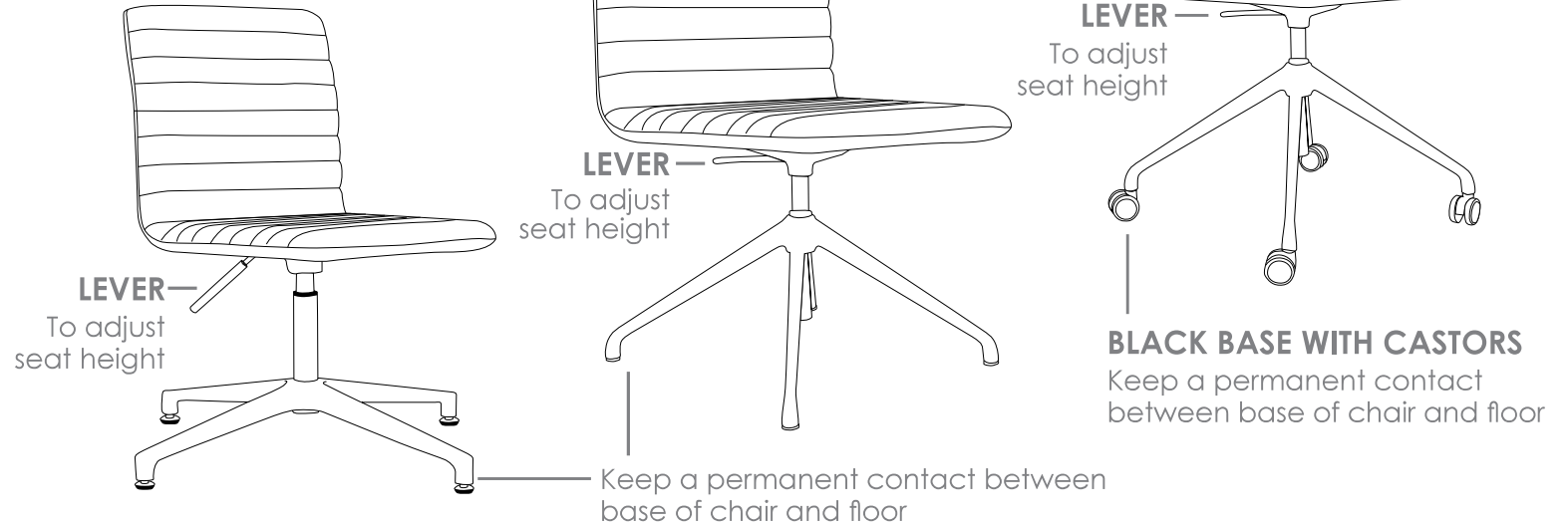


### FEATURES

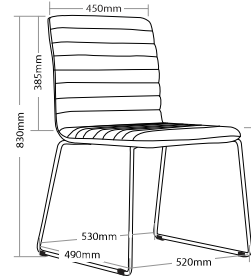
- » Adjustable seat height (With 4 star base, black base and black base with castors only)
- » Optional chrome 4 legs frame
- » Optional chrome sled base
- » Optional black sled base
- » Optional 700mm aluminium 4 star base
- » Optional timber legs with natural finish
- » Optional timber legs with black finish
- » Optional black base with or without castors
- » Fully upholstered
- » High density foam
- » Plywood shell
- » Available in local fabrics
- » Optional frame or base colour (please allow 5 more days)
- » Suitable for indoor use only
- » 5 year warranty
- » Weight limit is 130kg

### INDOOR USE ONLY

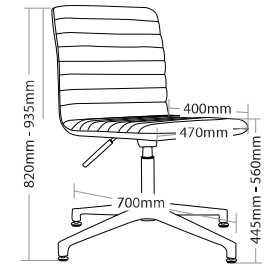
**X** Do not use as a step ladder



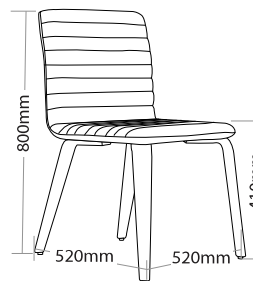
SMOKE-4L



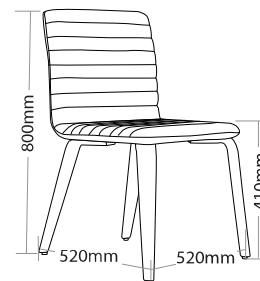
SMOKE-SB



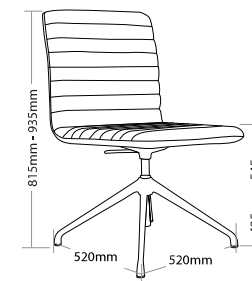
SMOKE-AB



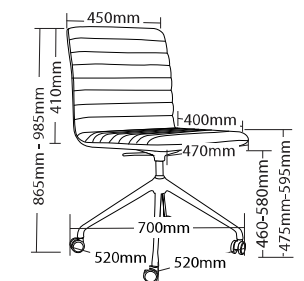
SMOKE-BL



SMOKE-NL



SMOKE-BB



SMOKE-BBC

# SMOKE BREAKOUT SEATING



SMOKE-4L



SMOKE-SB



SMOKE-SBB



SMOKE-AB



SMOKE-NL



SMOKE-BL



SMOKE-BB



SMOKE-BBC



# R7 BREAKOUT SEATING

## YARD

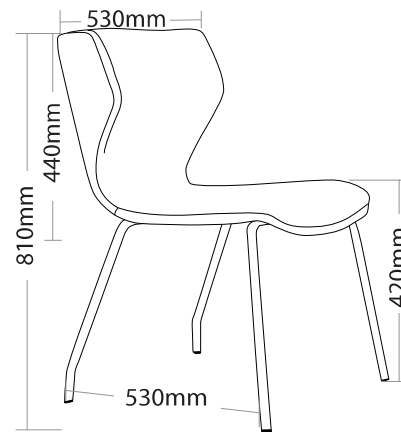
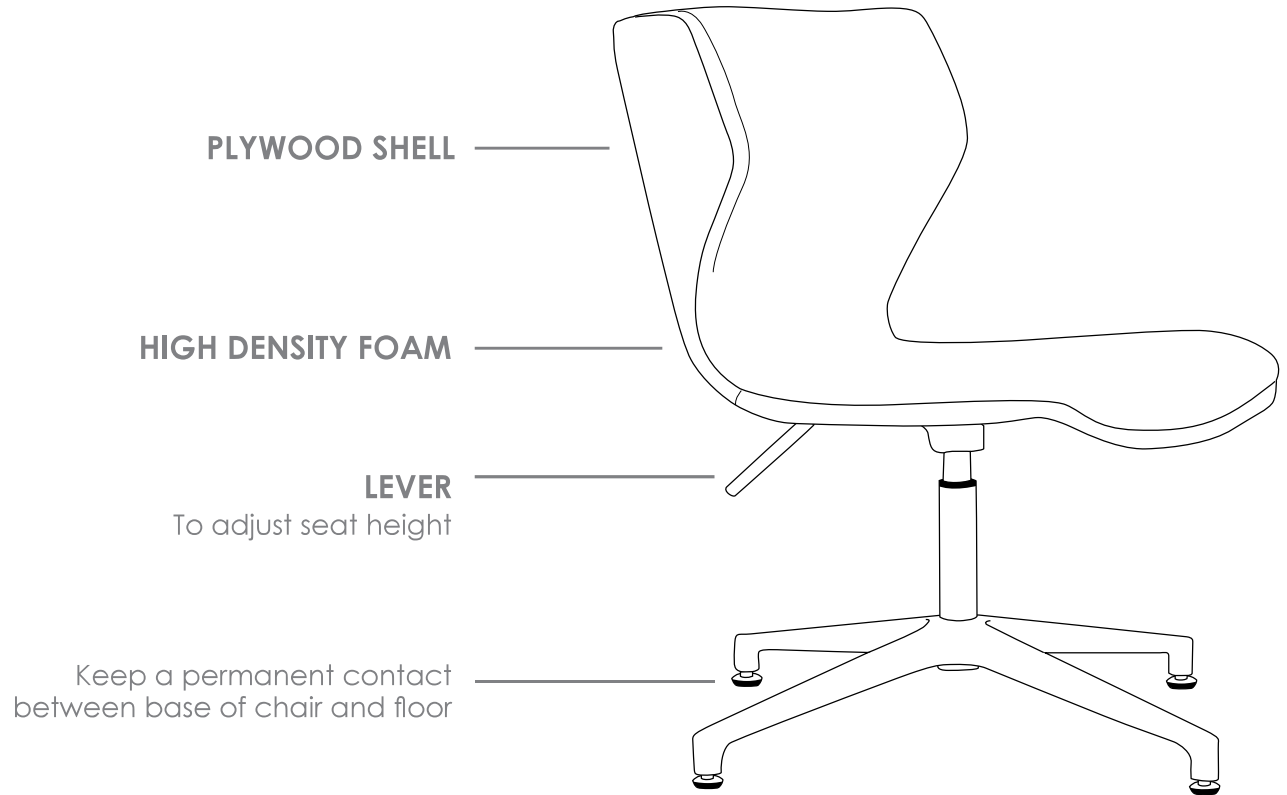


### FEATURES

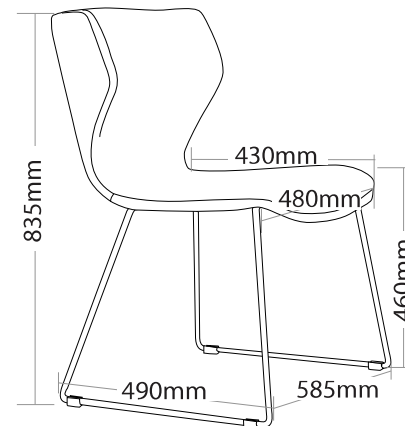
- » Adjustable seat height with 4 star base
- » Optional 660mm aluminium 4 star base
- » Optional chrome sled base
- » Optional chrome 4 legs frame
- » High density foam
- » Plywood shell
- » Available in local fabrics
- » Optional frame or base colour (please allow 5 more days)
- » Suitable for indoor use only
- » 3 year warranty
- » Weight limit is 130kg

### INDOOR USE ONLY

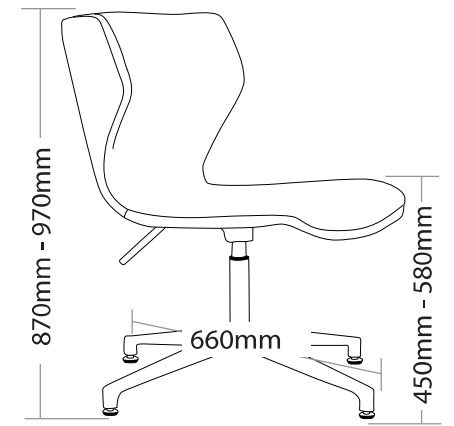
✗ Do not use as a step ladder



YARD-4L



YARD-SB



YARD-AB

# **YARD** BREAKOUT SEATING



YARD-4L



YARD-SB



YARD-AB

# R7 BREAKOUT SEATING

## RIDGE



### FEATURES

- » Adjustable seat height with 4 star base
- » Optional 680mm aluminium 4 star base
- » Optional solid rod sled chrome base
- » Optional chrome 4 legs frame
- » Moulded foam
- » Plywood shell
- » Available in local fabrics
- » Optional frame or base colour (please allow 5 more days)
- » Suitable for indoor use only
- » 5 year warranty
- » Weight limit is 130kg

### INDOOR USE ONLY

✘ Do not use as a step ladder

PLYWOOD SHELL

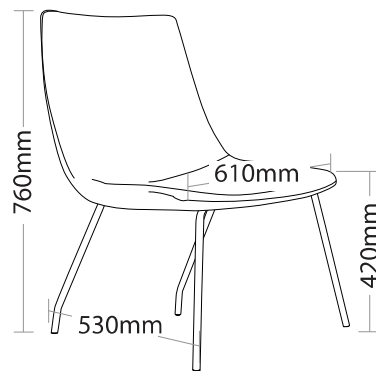
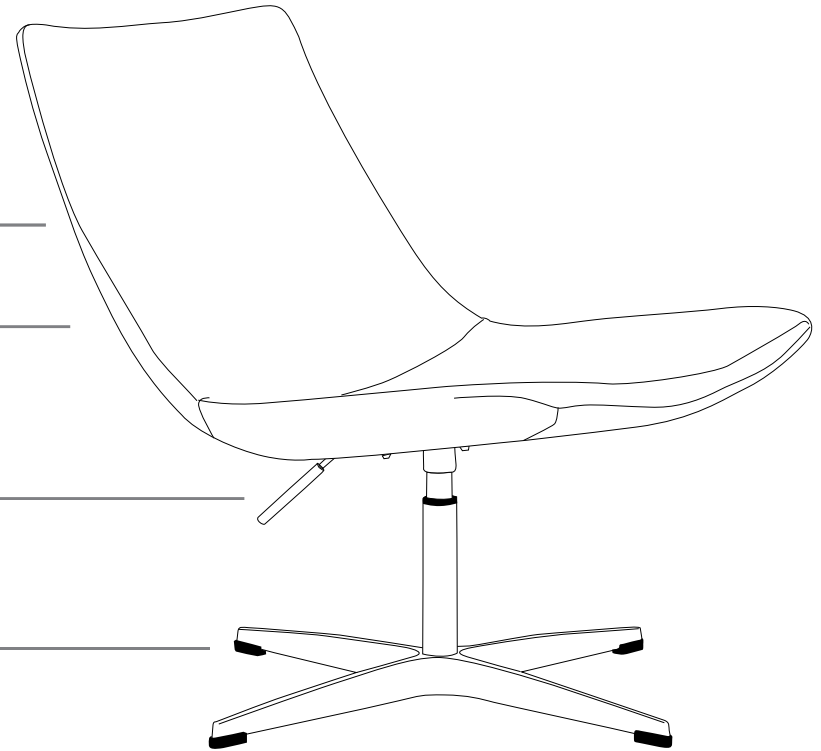
MOULDED FOAM

LEVER

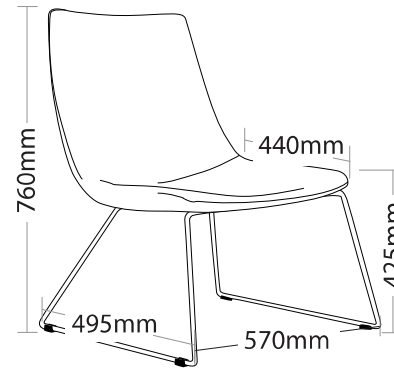
To adjust seat height

ALUMINIUM 4 STAR BASE

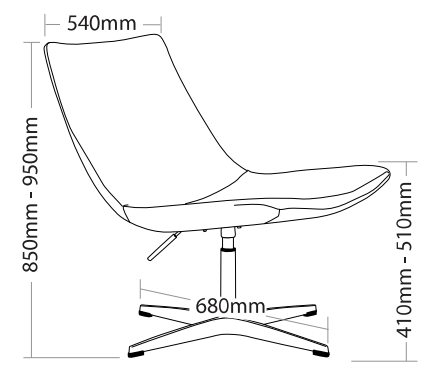
Keep a permanent contact between base of chair and floor



RIDGE-4L



RIDGE-SB



RIDGE-AB

# RIDGE BREAKOUT SEATING



RIDGE-4L



RIDGE-SB



RIDGE-AB

# R7 BREAKOUT SEATING

## VERO



### FEATURES

- » Optional black or timber finish
- » Plywood inner structure
- » Metal frame
- » High density foam
- » Available in local fabrics
- » Optional frame or base colour (please allow 5 more days)
- » Suitable for indoor use only
- » 5 year warranty
- » Weight limit is 130kg

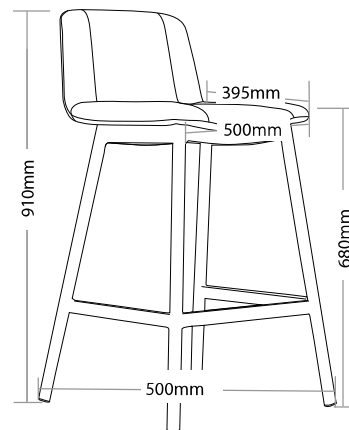
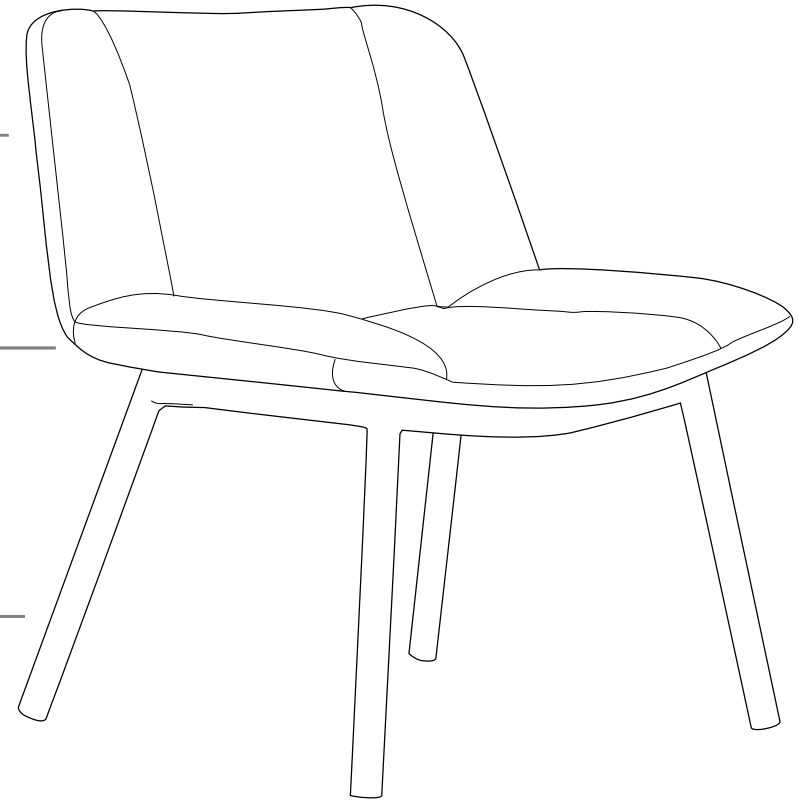
### INDOOR USE ONLY

✘ Do not use as a step ladder

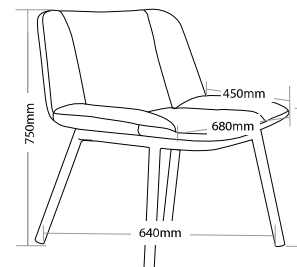
PLYWOOD INNER STRUCTURE

HIGH DENSITY FOAM

Keep a permanent contact between base of chair and floor



VERO-ST



VERO-CH

# VERO BREAKOUT SEATING



VERO-STB



VERO-STT



VERO-CHB



VERO-CHT



# R7 BREAKOUT SEATING

## GOLD

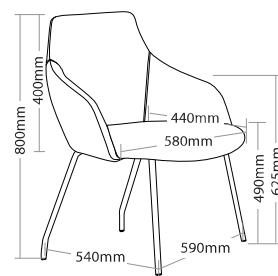


### FEATURES

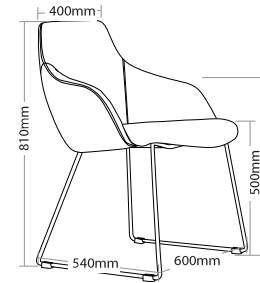
- » Adjustable seat height (With 4 star base, black base and black base with castors only)
- » Optional chrome sled base
- » Optional black sled base
- » Optional chrome 4 leg frame
- » Optional 700mm aluminium 4 star base
- » Optional timber legs with natural finish
- » Optional timber legs with black finish
- » Optional black base with or without castors
- » High density foam
- » Plywood shell
- » Available in local fabrics
- » Optional frame or base colour (please allow 5 more days)
- » Suitable for indoor use only
- » 5 year warranty
- » Weight limit is 130kg

### INDOOR USE ONLY

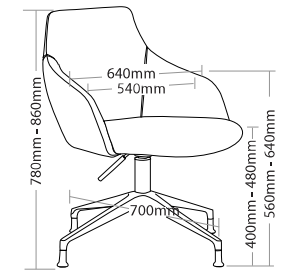
**X** Do not use as a step ladder



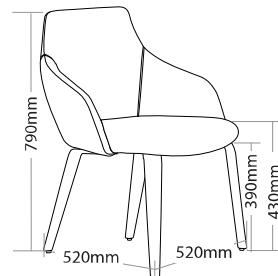
GOLD-4L



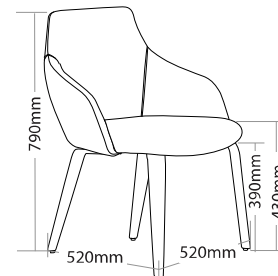
GOLD-SB



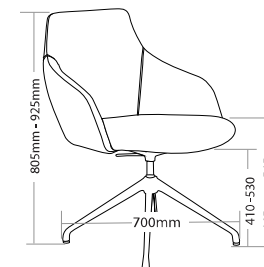
GOLD-AB



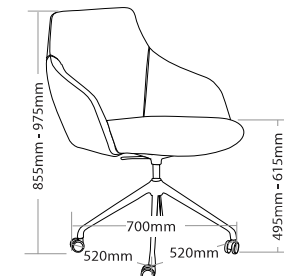
GOLD-BL



GOLD-NL



GOLD-BB



GOLD-BBC

# **GOLD** BREAKOUT SEATING



GOLD-4L



GOLD-SB



GOLD-SBB



GOLD-AB



GOLD-NL



GOLD-BL



GOLD-BB



GOLD-BBC

# R7 BREAKOUT SEATING

## JUNE

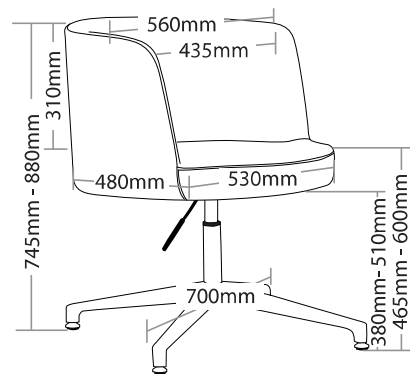
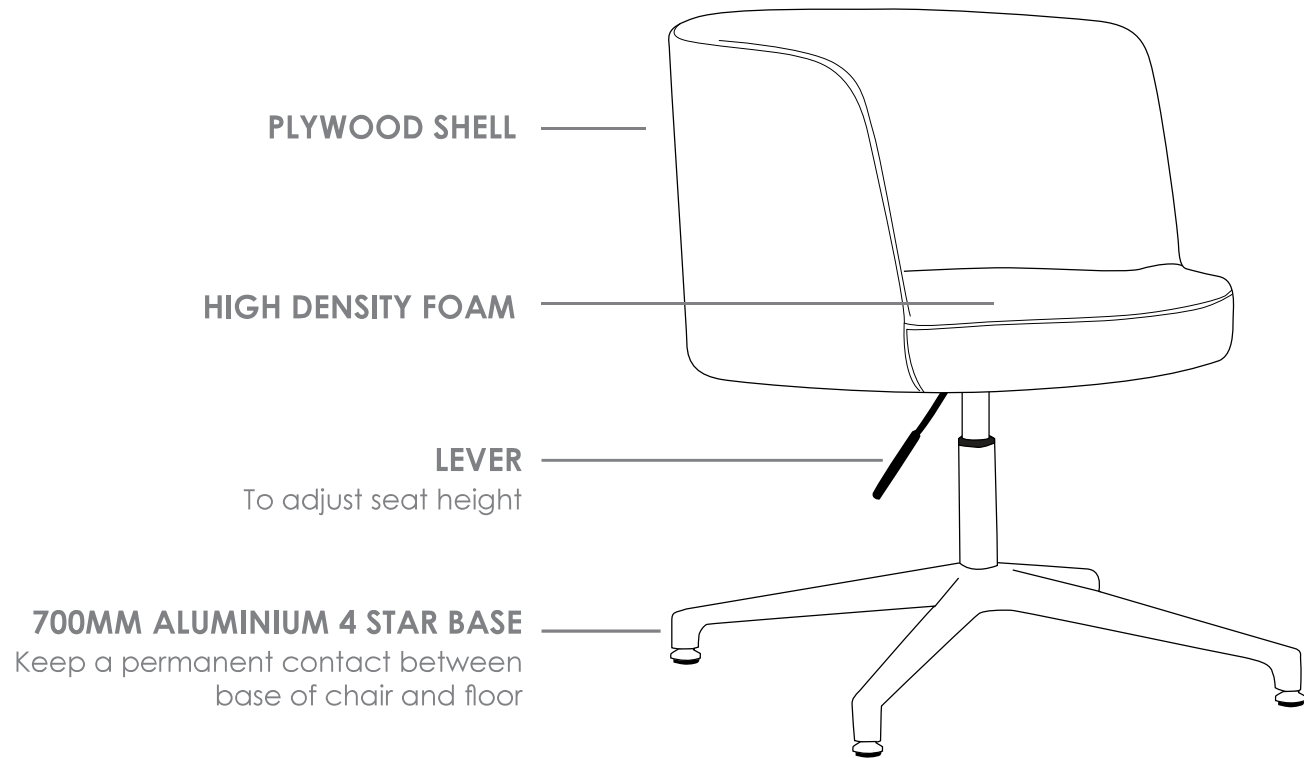


### FEATURES

- » Adjustable seat height
- » High density foam
- » 700mm aluminium 4 star base
- » Plywood shell
- » Available in local fabrics
- » Optional frame or base colour (please allow 5 more days)
- » Suitable for indoor use
- » 5 Year warranty
- » Weight limit is 120kg

### INDOOR USE ONLY

✘ Do not use as a step ladder



JUNE

# JUNE BREAKOUT SEATING



JUNE



SIDE VIEW



BACK VIEW

# R7 BREAKOUT SEATING

## TIME

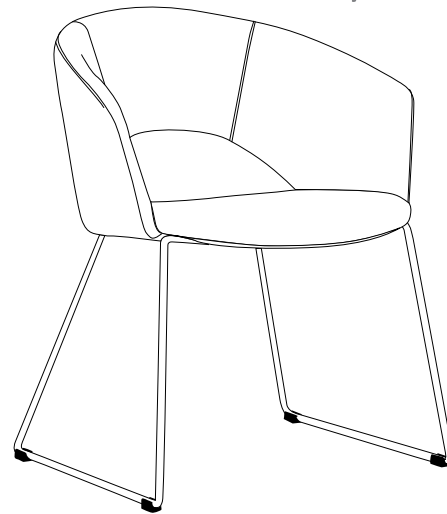


### FEATURES

- » Adjustable seat height (With 4 star base, black base and black base with castors only)
- » Optional chrome sled base
- » Optional black sled base
- » Optional timber legs with natural finish
- » Optional timber legs with black finish
- » Optional black base with or without castors
- » High density foam
- » Moulded back foam
- » Plywood shell
- » Available in local fabrics
- » Optional frame or base colour (please allow 5 more days)
- » Suitable for indoor use only
- » 5 year warranty
- » Weight limit is 120kg

### INDOOR USE ONLY

✗ Do not use as a step ladder



LEVER

To adjust seat height

Keep a permanent contact between base of chair and floor

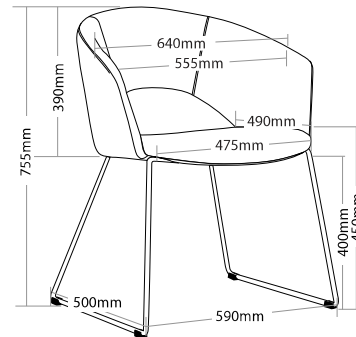
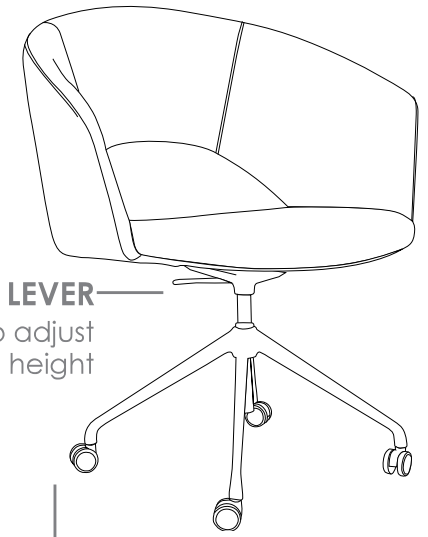


LEVER

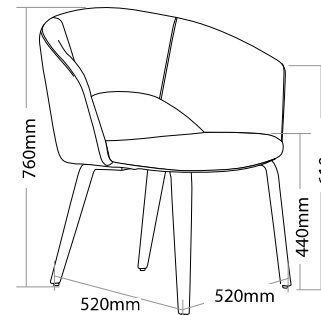
To adjust seat height

**BLACK BASE WITH CASTORS**

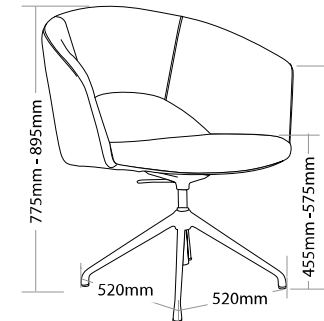
Keep a permanent contact between base of chair and floor



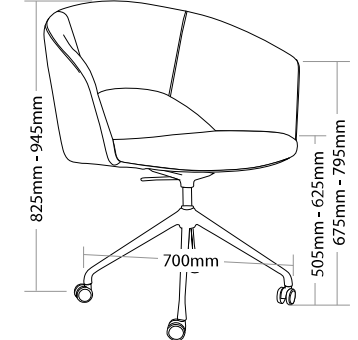
TIME



TIME-BL/NL



TIME-BB



TIME-BBC

# TIME BREAKOUT SEATING



TIME



TIME-SBB



TIME-NL



TIME-BL



TIME-BB



TIME-BBC



# R7 BREAKOUT SEATING

## OPERA



### FEATURES

- » Optional timber legs
- » Optional 700mm high arch aluminium 4 star base
- » Optional chrome 4 leg frame
- » Loose back and seat cushions
- » Moulded foam on steel frame
- » Available in local fabrics
- » Optional frame or base colour (please allow 5 more days)
- » Suitable for indoor use only
- » 5 year warranty
- » Weight limit is 120kg

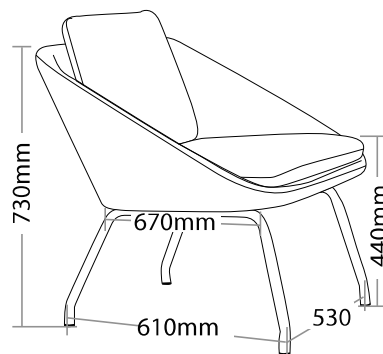
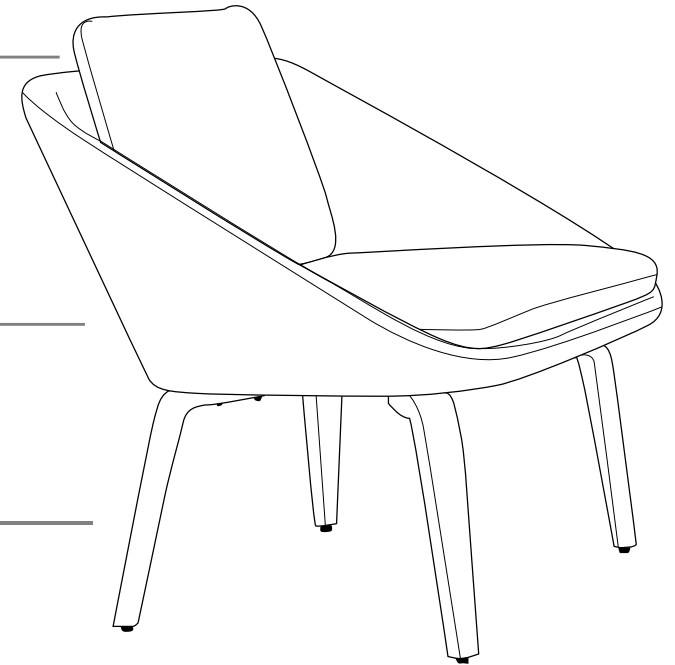
INDOOR USE ONLY

X Do not use as a step ladder

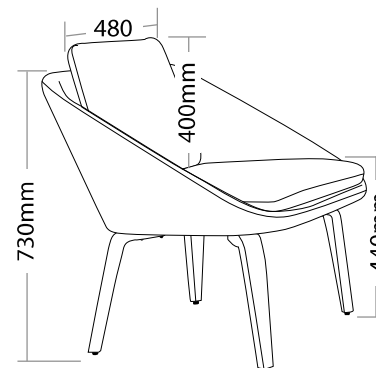
LOOSE CUSHIONS

MOULDED FOAM ON STEEL FRAME

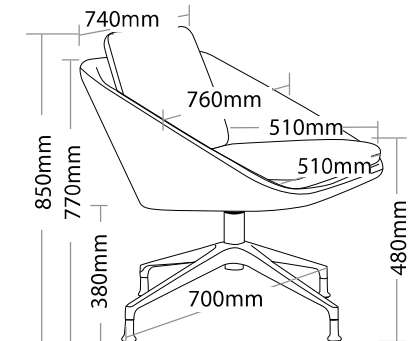
Keep a permanent contact between base of chair and floor



OPERA-4L



OPERA-TL



OPERA-AB

# OPERA BREAKOUT SEATING



OPERA-4L



OPERA-TL



OPERA-AB

# R7 BREAKOUT SEATING

## LEAF



### FEATURES

#### LEAF-L/LEAF-H FEATURES

- » Available in high and low back
- » High density foam
- » Loose back cushion
- » Metal frame
- » Adjustable feet
- » Available in local fabrics
- » Suitable for indoor use only
- » 3 year warranty
- » Weight limit is 120kg

#### TABLE FEATURES

- » MDF white top
- » Chrome frame
- » 3 year warranty

### INDOOR USE ONLY

X Do not use as a step ladder

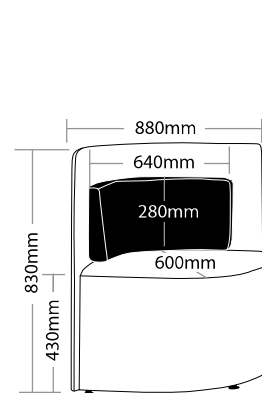
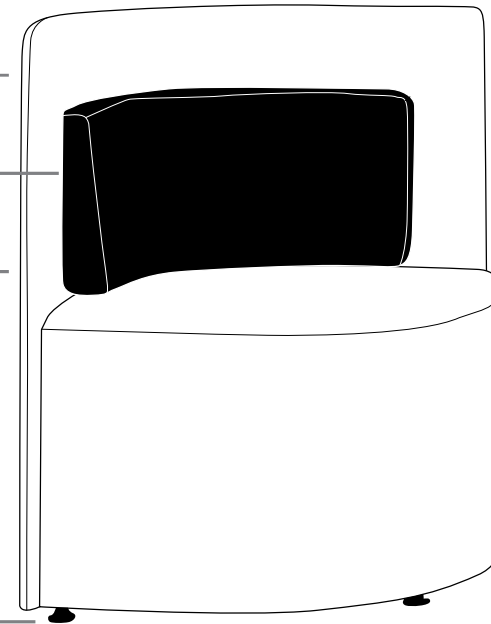
HIGH DENSITY FOAM

LOOSE BACK CUSHION

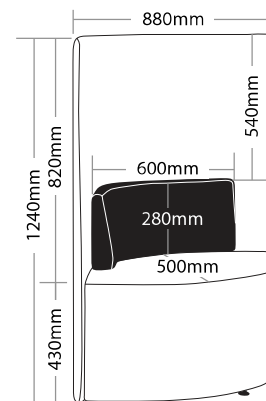
METAL FRAME

ADJUSTABLE FEET

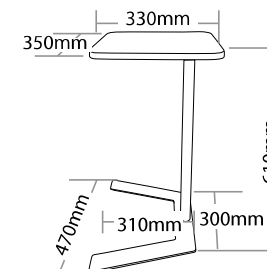
Keep a permanent contact between base of chair and floor



LEAF-L



LEAF-H



LEAF-T

# LEAF BREAKOUT SEATING



LEAF-L



LEAF-H



LEAF-T



TOP VIEW



GROUP

# R8 OTTOMANS

## PLAY

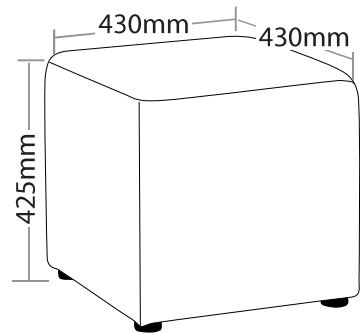
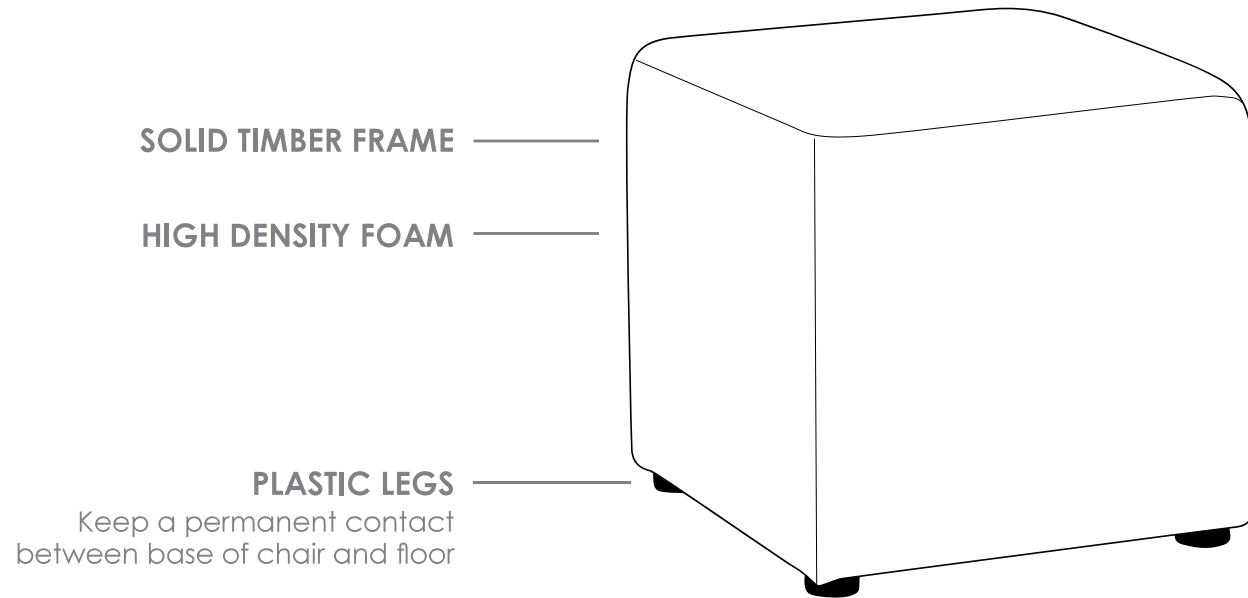


### FEATURES

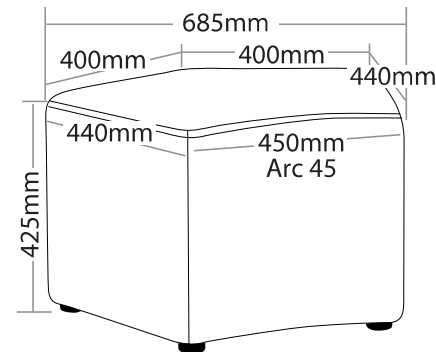
- » Available in 2 options only
- » High density foam
- » Solid timber frame
- » Plastic legs
- » Available in local fabrics
- » Suitable for indoor use only
- » 3 year warranty
- » Weight limit is 120kg

### INDOOR USE ONLY

✘ Do not use as a step ladder



PLAY-1



PLAY-2

# PLAY



PLAY-1



PLAY-2



GROUP

# R8 OTTOMANS

## OLA

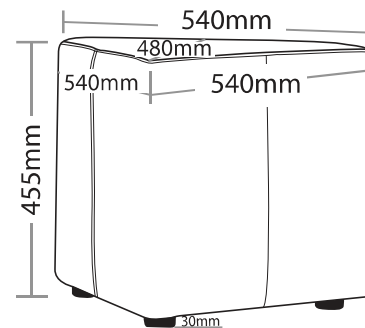
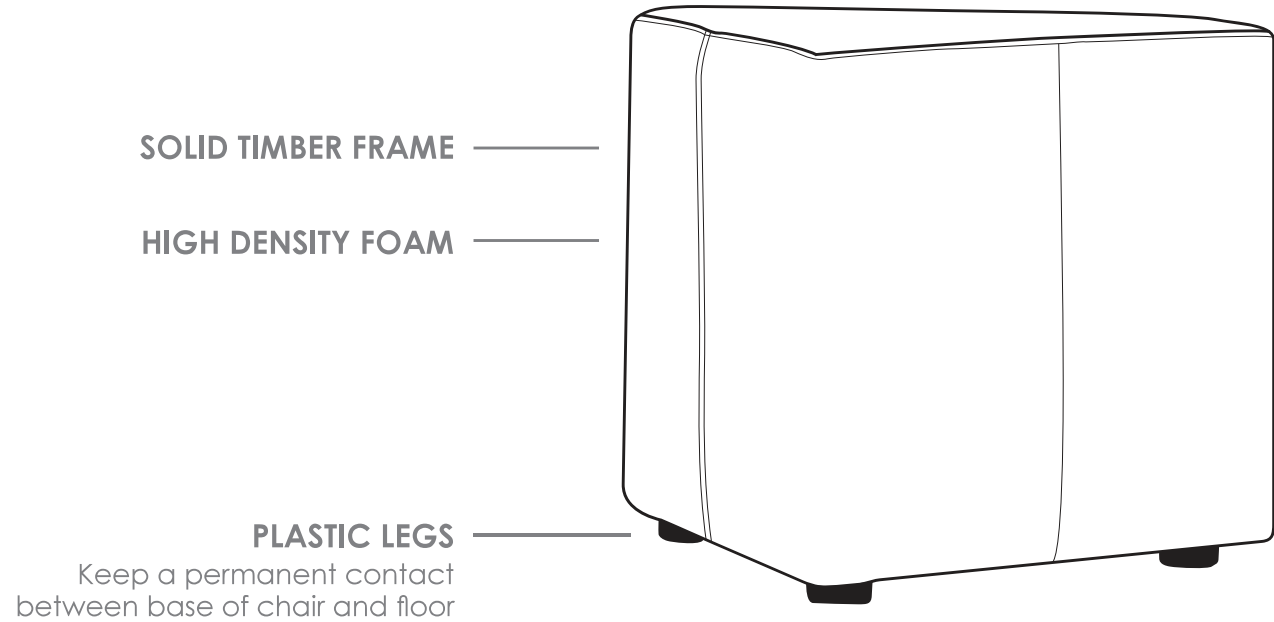


### FEATURES

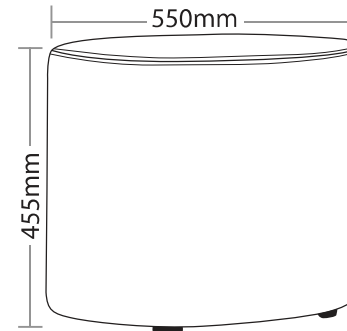
- » Available in triangle, round and square shape
- » High density foam
- » Solid timber frame
- » Plastic legs
- » Available in local fabrics
- » Suitable for indoor use only
- » 3 year warranty
- » Weight limit is 120kg

### INDOOR USE ONLY

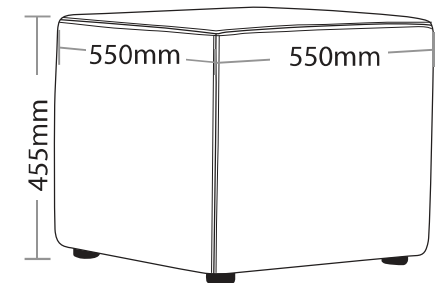
✘ Do not use as a step ladder



OLA-T



OLA-R



OLA-S



# OLA



OLA-T



OLA-R



OLA-S

# R8 OTTOMANS

## CLIP



### FEATURES

- » Zig zag steel spring
- » Solid hardwood frame
- » Webbed base
- » Chrome legs
- » Available in local fabrics
- » Optional frame or base colour (please allow 5 more days)
- » Suitable for indoor use only
- » 3 year warranty
- » Weight limit is 130kg

### INDOOR USE ONLY

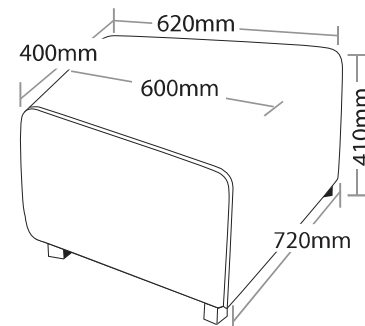
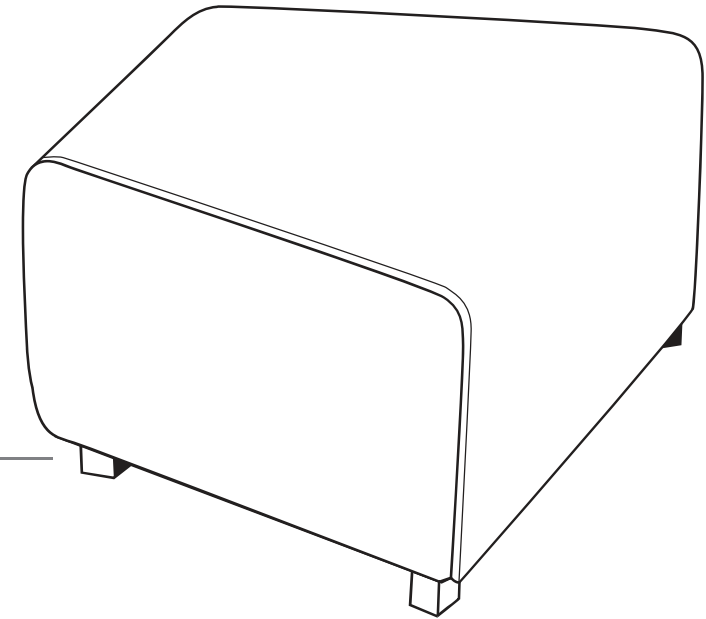
✘ Do not use as a step ladder

SOLID HARDWOOD FRAME

WEBBED BASE

CHROME LEGS

Keep a permanent contact  
between base of chair and floor



CLIP

# CLIP



CLIP

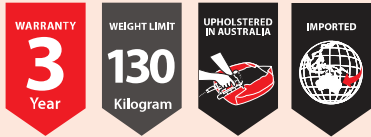


GROUP



# R8 OTTOMANS

## IMPRESS



### FEATURES

#### IMPRESS FEATURES

- » Available in 2 options only
- » Moulded polyurethane foam
- » Solid hardwood frame
- » Zinc legs
- » Available in local fabrics
- » Optional frame or base colour (please allow 5 more days)
- » Suitable for indoor use only
- » 3 year warranty
- » Weight limit is 130kg

#### IMPRESS TABLE FEATURES

- » 8mm Tempered glass top
- » Chrome legs
- » Optional frame or base colour (please allow 5 more days)
- » Suitable for indoor use only
- » 3 year warranty

### INDOOR USE ONLY

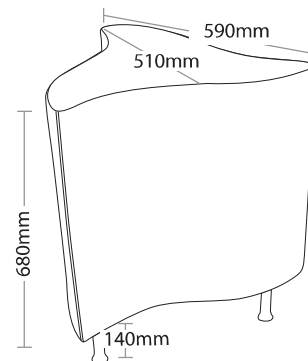
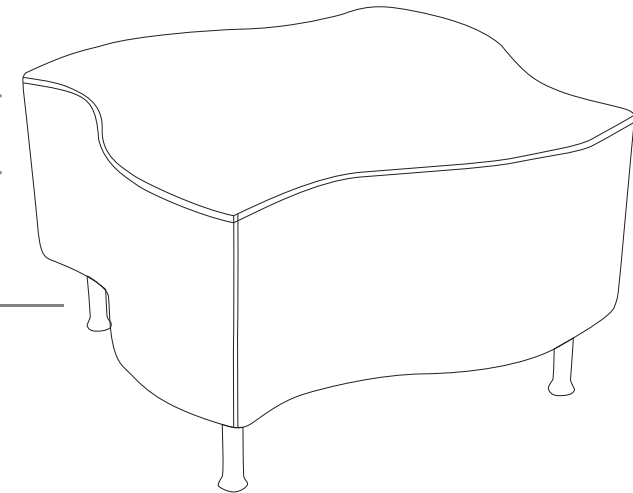
X Do not use as a step ladder

MOULDED POLYURETHANE FOAM

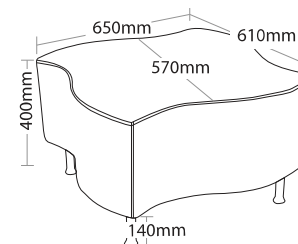
SOLID HARDWOOD FRAME

ZINC LEGS

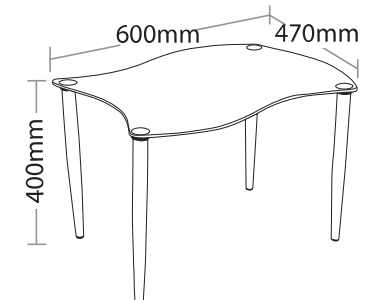
Keep a permanent contact between base of chair and floor



IMPRESS-1



IMPRESS-2



IMPRESS-T

# IMPRESS



IMPRESS-1



IMPRESS-2



IMPRESS-T



GROUP

# R8 OTTOMANS

## RADIUS



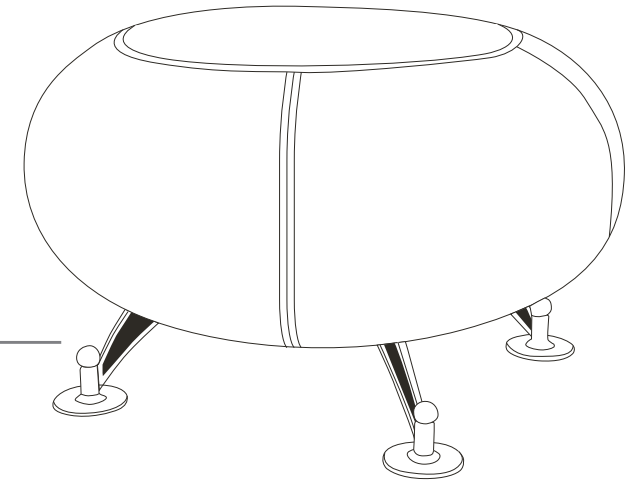
### FEATURES

- » Available in 2 options only
- » Moulded polyurethane foam
- » Zinc legs
- » Available in local fabrics
- » Optional frame or base colour (please allow 5 more days)
- » Suitable for indoor use only
- » 3 year warranty
- » Weight limit is 130kg

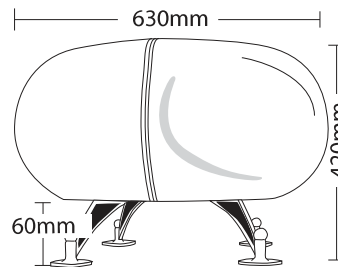
### INDOOR USE ONLY

✘ Do not use as a step ladder

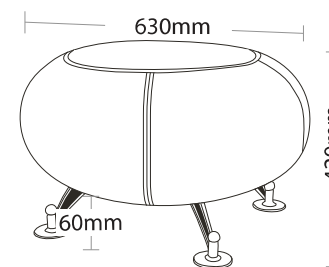
MOULDED POLYURETHANE FOAM



Keep a permanent contact between base of chair and floor



RADIUS-1



RADIUS-2

# RADIUS



RADIUS-1



RADIUS-2



GROUP



# R9 BAR STOOLS

## GAMMA, LIFT, VEGAS AND FLOW



### FEATURES

#### GAMMA/ VEGAS FEATURES

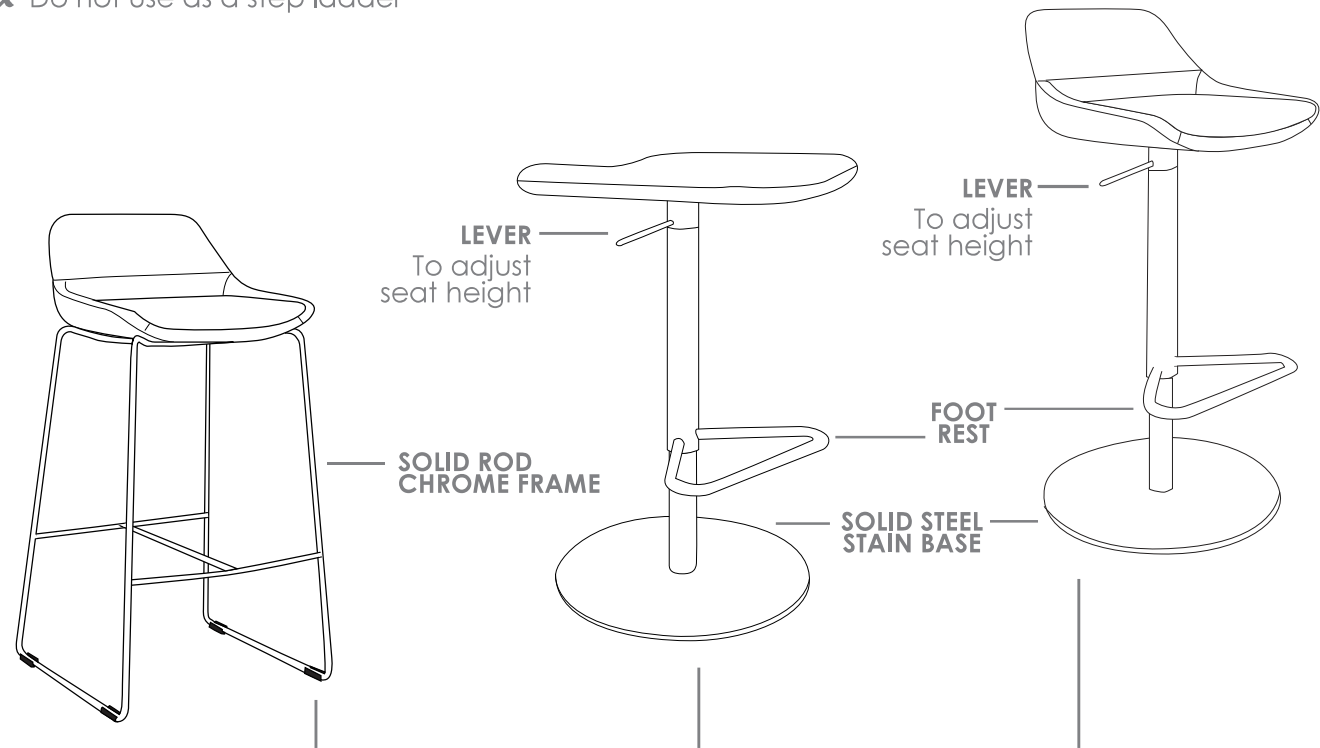
- » Solid rod chrome frame
- » Available in local fabrics
- » Optional frame or base colour (please allow 5 more days)
- » Suitable for indoor use only
- » 4 year warranty
- » Weight limit is 120kg

#### LIFT/ FLOW FEATURES

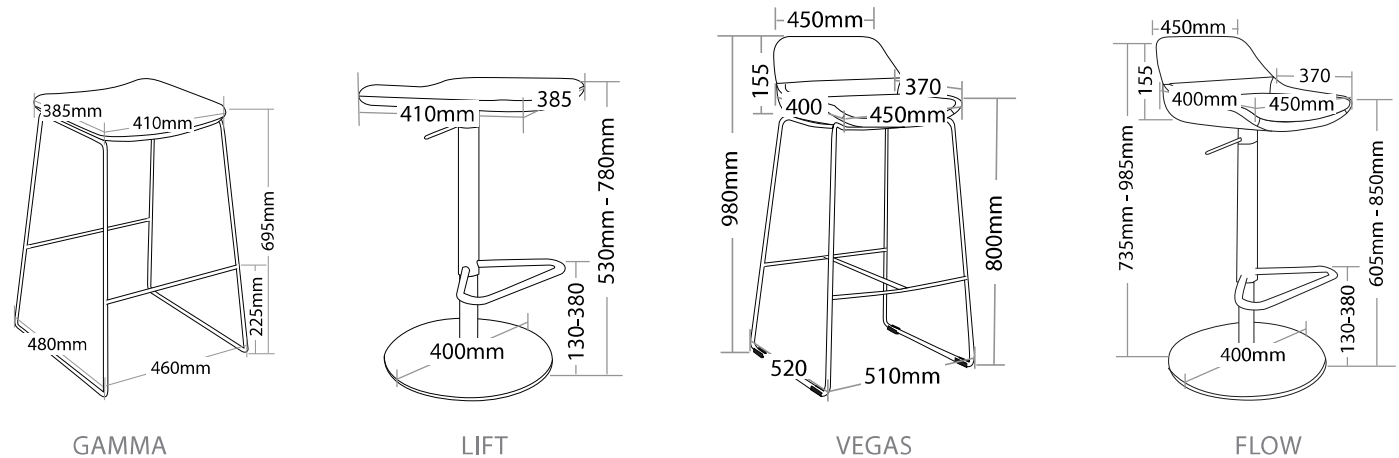
- » Adjustable seat height
- » Solid steel stain base
- » Foot rest
- » Available in local fabrics
- » Suitable for indoor use only
- » 4 year warranty
- » Weight limit is 120kg

### INDOOR USE ONLY

✗ Do not use as a step ladder



Keep a permanent contact between base of chair and floor



# **GAMMA, LIFT, VEGAS AND FLOW** BAR STOOLS



GAMMA



LIFT



VEGAS



FLOW

# R10 SOFT SEATING

## BLITZ

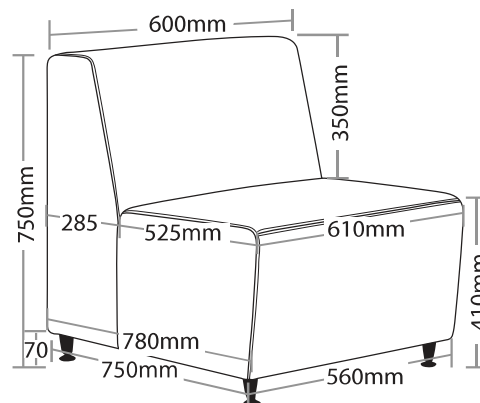
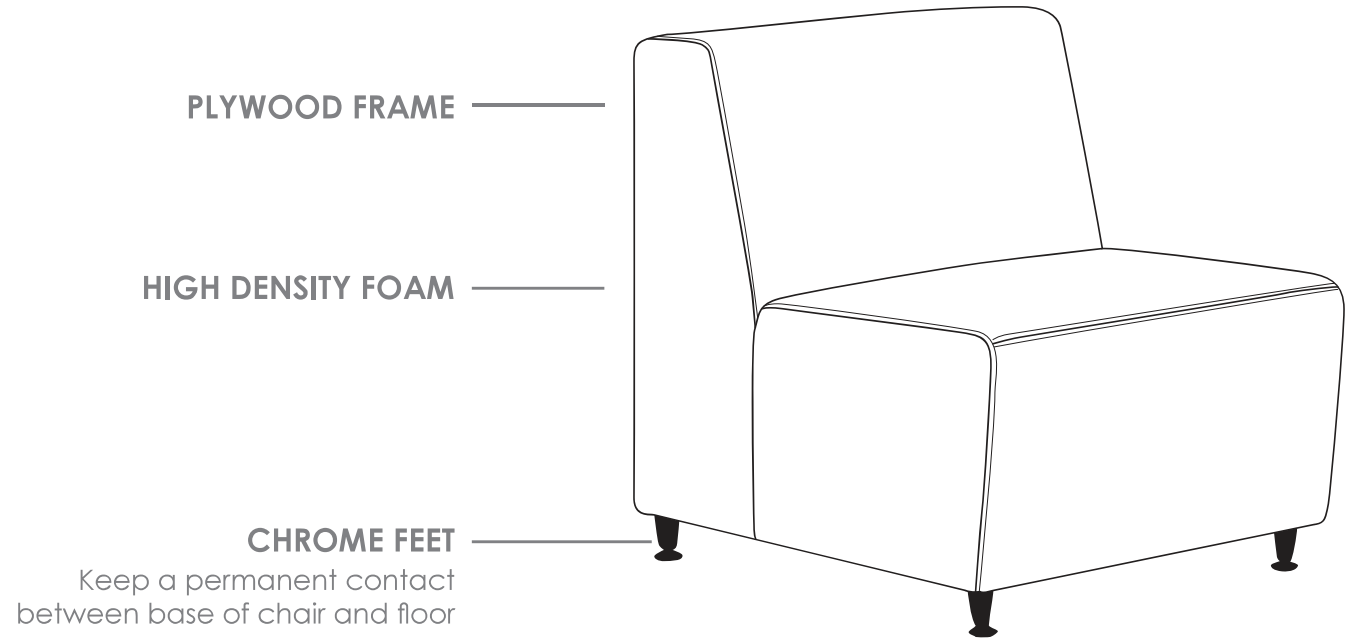


### FEATURES

- » High density foam
- » Zig zag steel spring
- » Plywood frame
- » Chrome feet
- » Available in local fabrics
- » Optional frame or base colour (please allow 5 more days)
- » Suitable for indoor use only
- » 5 year warranty
- » Weight limit is 120kg

### INDOOR USE ONLY

✘ Do not use as a step ladder



BLITZ-U

# BLITZ SOFT SEATING



BLITZ-U



SIDE VIEW



BACK VIEW

# R10 SOFT SEATING

## TWIST

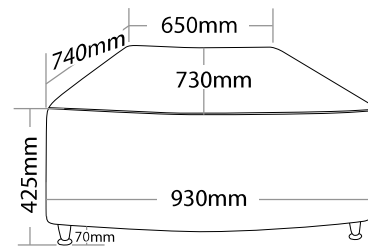
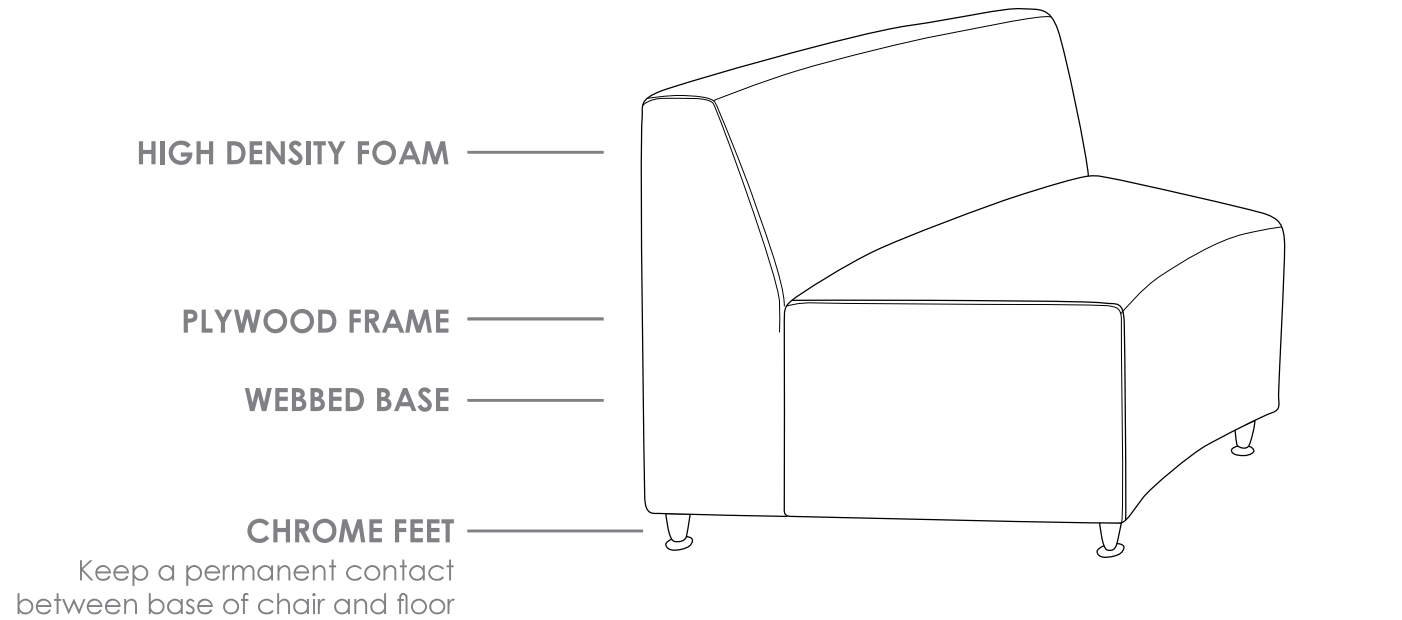


### FEATURES

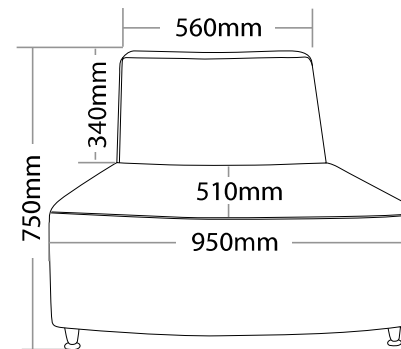
- » Available in 3 options only
- » High density foam
- » Plywood frame
- » Webbed base
- » Chrome feet
- » Available in local fabrics
- » Optional frame or base colour (please allow 5 more days)
- » Suitable for indoor use only
- » 3 year warranty
- » Weight limit is 120kg

### INDOOR USE ONLY

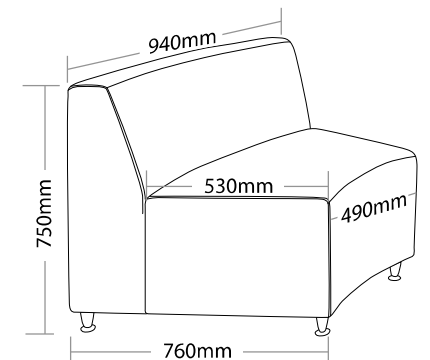
✘ Do not use as a step ladder



TWIST-OT



TWIST-SO



TWIST-SI

# TWIST SOFT SEATING



TWIST-OT



TWIST-SO



TWIST-SI



GROUP

# R10 SOFT SEATING

## MONTAGE

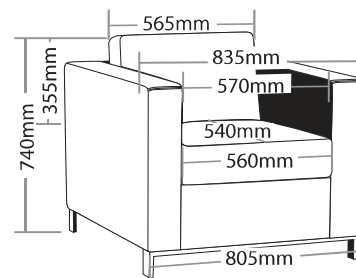
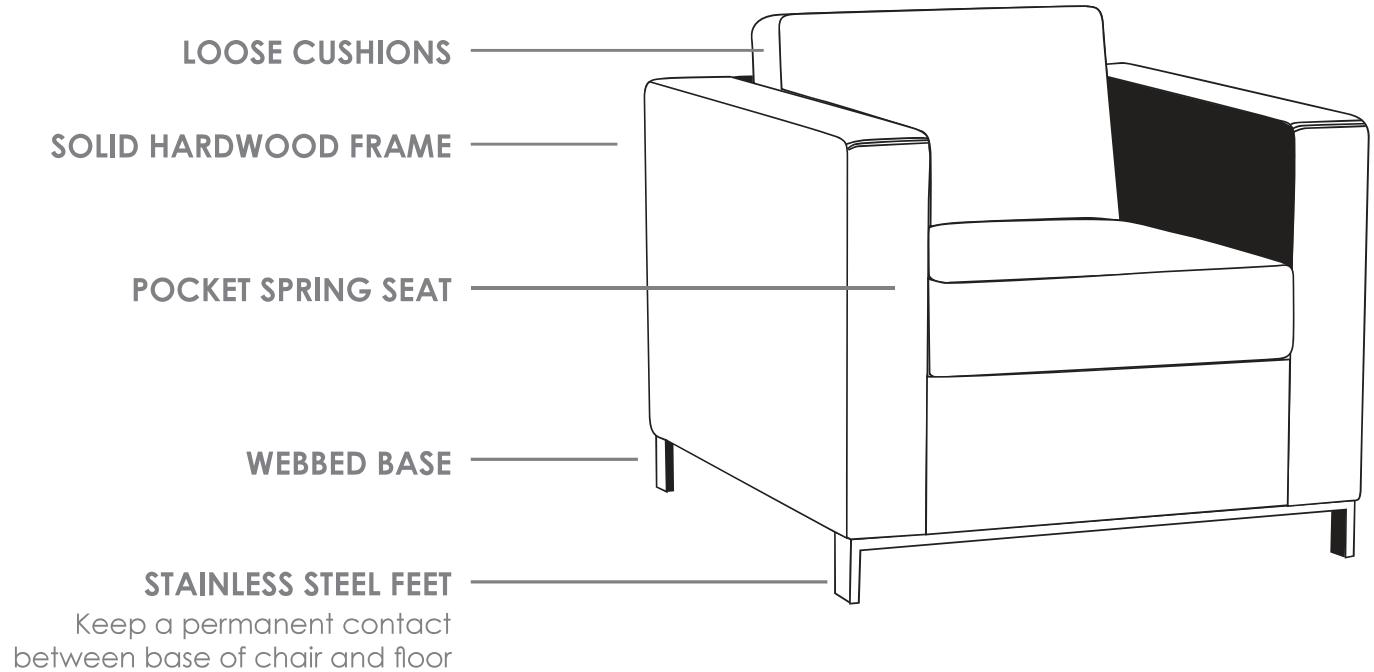


### FEATURES

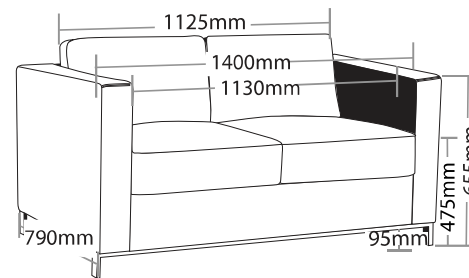
- » Optional 1, 2 or 3 seater
- » Pocket spring seat
- » Loose cushions upholstered both sides
- » Zig zag steel spring
- » Webbed base
- » Solid hardwood frame
- » Stainless steel feet
- » Available in all local fabrics
- » Optional frame or base colour (please allow 5 more days)
- » Suitable for indoor use
- » 5 year warranty
- » Weight limit for 1 seater is 130kg
- » Weight limit for 2 seater is 260kg
- » Weight limit for 3 seater is 390kg

### INDOOR USE ONLY

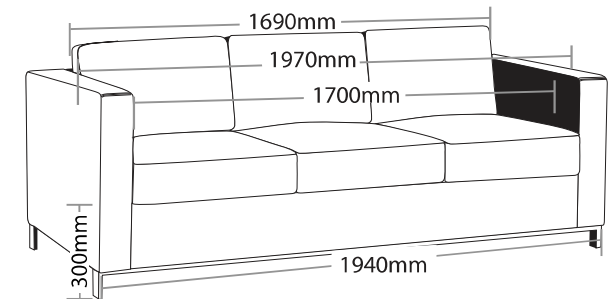
✘ Do not use as a step ladder



MO-1S



MO-2S



MO-3S



# MONTAGE SOFT SEATING



MO-1S



MO-2S



MO-3S

# R10 SOFT SEATING

## CONCEPT



### FEATURES

- » Optional 1, 2 or 3 seater
- » High density foam
- » Zig zag steel spring
- » Plywood frame
- » Black mental arm and feet
- » Available in all local fabrics
- » Optional frame or base colour (please allow 5 more days)
- » Suitable for indoor use
- » 5 year warranty
- » Weight limit for 1 seater is 120kg
- » Weight limit for 2 seater is 240kg
- » Weight limit for 3 seater is 360kg

### INDOOR USE ONLY

✗ Do not use as a step ladder

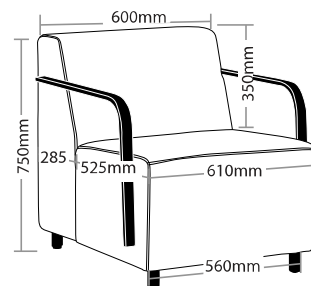
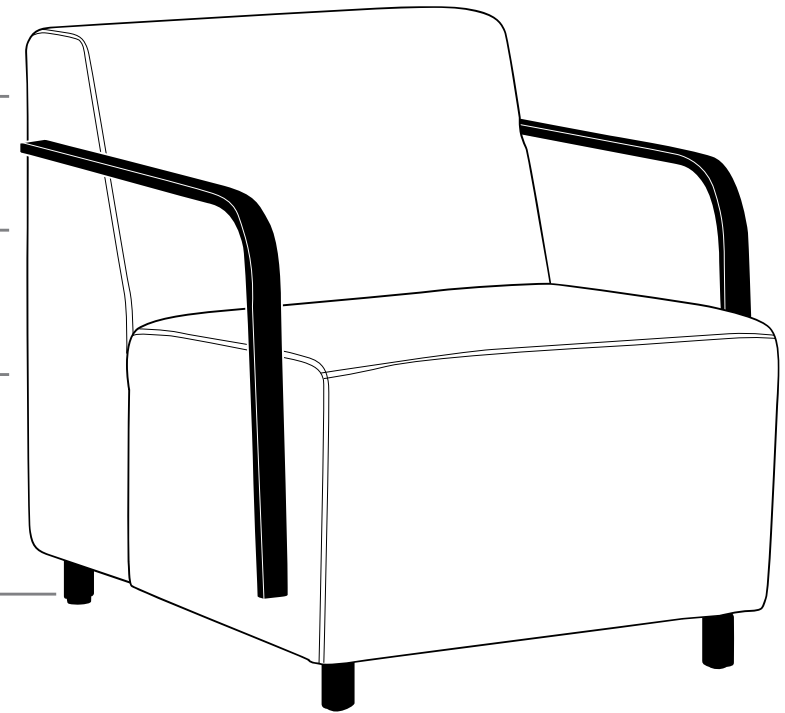
PLYWOOD FRAME

HIGH DENSITY FOAM

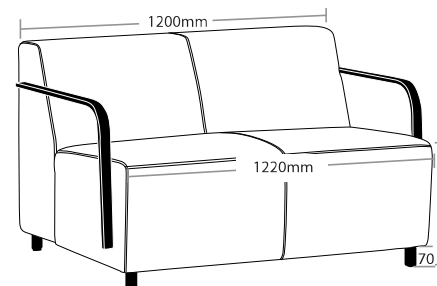
ZIG ZAG STEEL SPRING

BLACK FEET

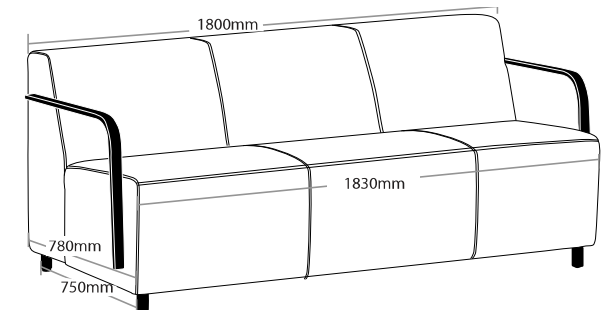
Keep a permanent contact between base of chair and floor



CON-1



CON-2



CON-3

# CONCEPT SOFT SEATING



CON-1



CON-2



CON-3

# R10 SOFT SEATING

## SHELL



### FEATURES

- » Australian made
- » Available in 1 or 2 seater (custom size available, please contact office)
- » High density foam
- » Loose cushions upholstered both sides
- » Timber frame
- » Aluminum legs
- » Available in local fabrics (two tone available, please contact office)
- » Optional frame or base colour (please allow 5 more days)
- » Suitable for indoor use
- » 5 year warranty
- » Weight limit for 1 seater is 130kg
- » Weight limit for 2 seater is 260kg

### INDOOR USE ONLY

X Do not use as a step ladder

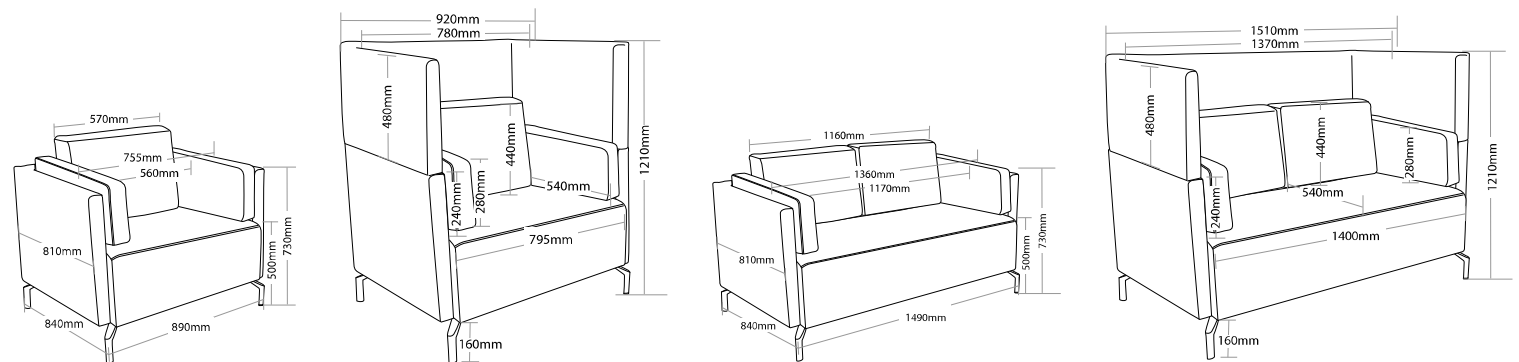
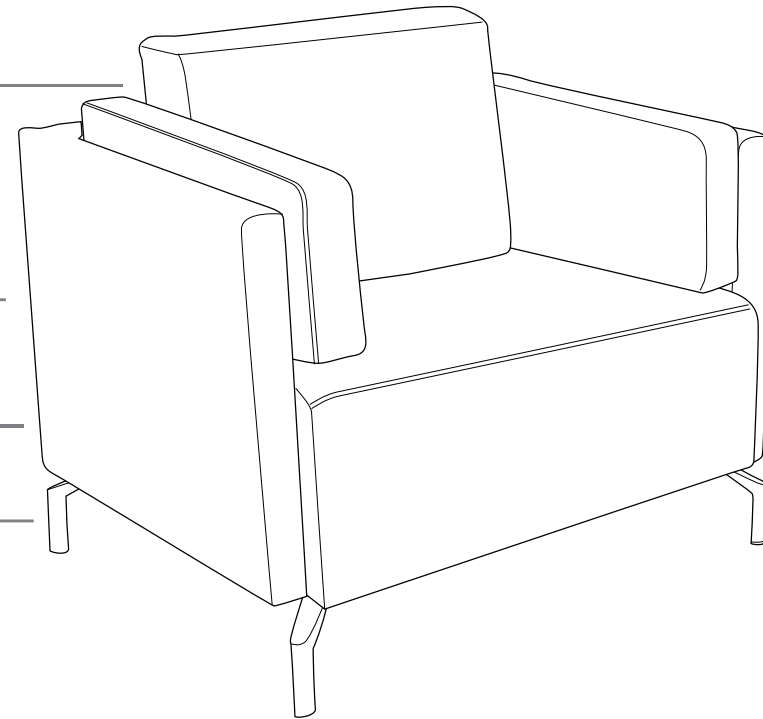
LOOSE CUSHIONS

HIGH DENSITY FOAM

TIMBER FRAME

ALUMINIUM LEGS

Keep a permanent contact between base of chair and floor



SHELL-1S

SHELL-1SH

SHELL-2S

SHELL-2SH



# SHELL SOFT SEATING



SHELL-1S



SHELL-1SH



SHELL-2S



SHELL-2SH

# R11 SCREENS

## ACOUSTIC



### FEATURES

- » Australian made
- » Solid timber frame
- » Frames wrapped with a 10mm layer of foam
- » Frames wrapped with a layer of cardboard
- » 19mm metal side frame
- » Optional frame or base colour (please allow 5 more days)
- » Suitable for indoor use
- » 2 year warranty

### OPTIONS

CODE	SCREEN SIZE (HXW)
FAS-1212	1200x1200mm
FAS-1215	1200x1500mm
FAS-1218	1200x1800mm
FAS-1512	1500x1200mm
FAS-1515	1500x1500mm
FAS-1518	1500x1800mm
FAS-1812	1800x1200mm
FAS-1815	1800x1500mm
FAS-1818	1800x1800mm

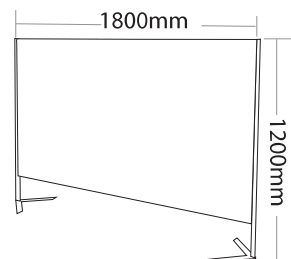
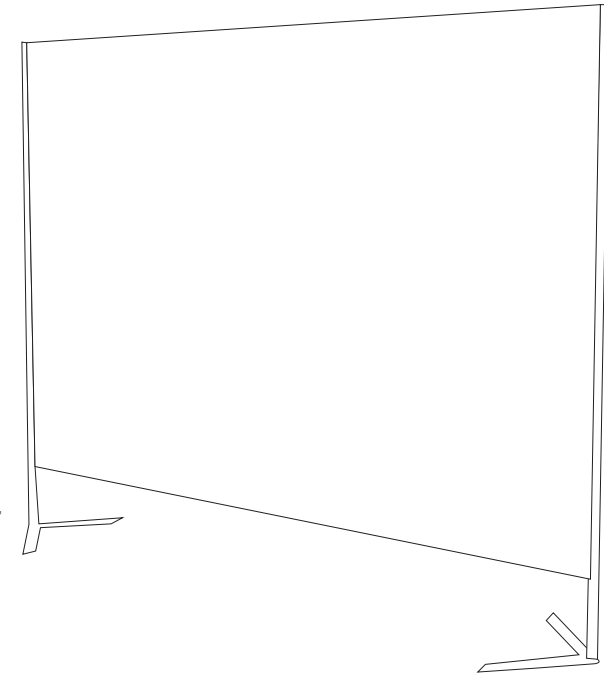
### INDOOR USE ONLY

✘ Do not use as a step ladder

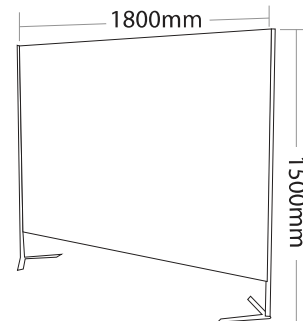
SOLID TIMBER FRAME

19MM METAL SIDE FRAME

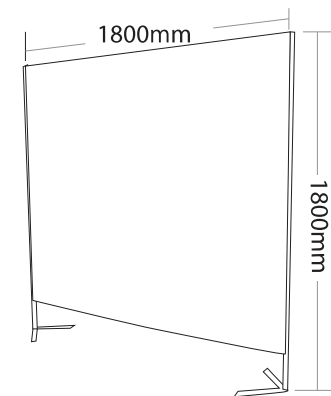
Keep a permanent contact between base of chair and floor



FAS-1218



FAS-1518



FAS-1818

# ACOUSTIC SCREENS



FAS-1218



FAS-1518



FAS-1818



# R12 INDUSTRIAL STOOLS

## STATE



### FEATURES

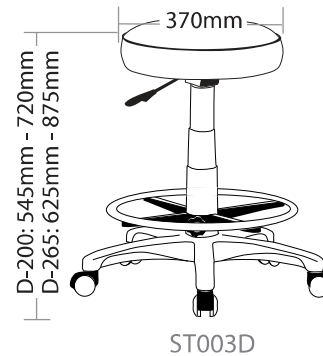
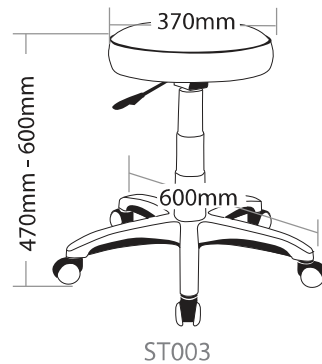
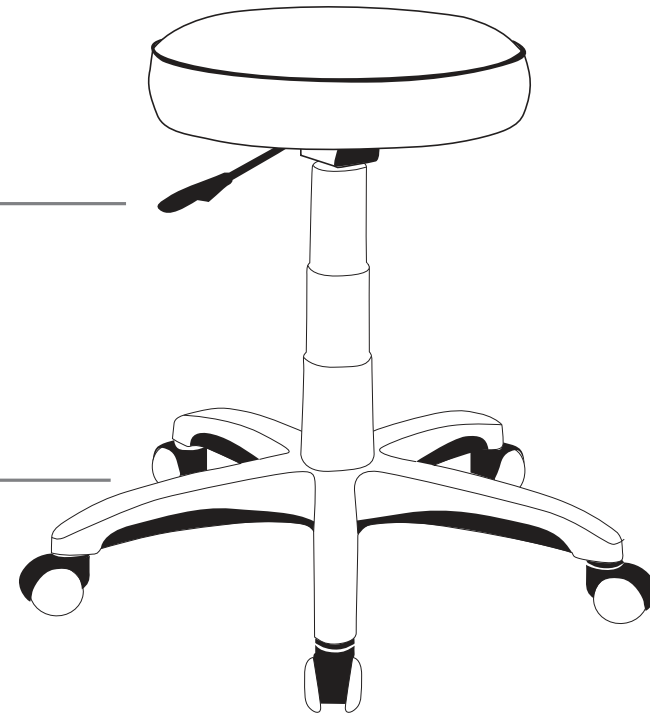
- » Adjustable seat height
- » Optional drafting kit
- » Optional glides or brake castors
- » 600mm black nylon base
- » Available in local fabrics
- » Suitable for indoor use
- » 5 year warranty
- » Weight limit is 120kg

### INDOOR USE ONLY

✘ Do not use as a step ladder

**LEVER**  
To adjust seat height

**600MM BLACK NYLON  
5 STAR BASE WITH CASTORS**  
Use soft tyred castors for tiles  
Use hard tyred castors for carpet



# STATE INDUSTRIAL STOOL



ST003



ST003D



Adco Office Furniture 119 Burwood Highway Burwood Victoria 3125  
Phone: 03 9808 4404 Email: [sales@adco.com.au](mailto:sales@adco.com.au) Web: [adco.com.au](http://adco.com.au)