

**Adco
Office
Furniture**
desking • seating • storage



2022-2023

CATALOGUE

Effective on 01/09/2022



Warranty period for chairs and lounges



Weight rating for individual chairs and lounges*



Fully imported Chairs, lounges, parts and components.



The Performance criteria adopted for certification by Furntech is based on Australian standards, e.g. Level 6 - Severe commercial and heavy industrial.*

**Weight limits are self-rated by Style Ergonomic Australia. AFRDI approved chairs are normally rated to 110kg.*

AFRDI 142 Certification



AFRDI rating for multi shift use and 160kg weight limit.



Furntech is an independent not-for-profit technical organisation providing standards, testing product certification and research for buyers and sellers of furniture.



BIFMA is a third-party certification program that provides manufacturers with valuable feedback for evaluating the environmental, human, and social impacts of their furniture products for manufacturing, facility, and organisation.



All instructions of use are instructed while sitting in the chair.

R11 INDUSTRIAL STOOLS

CAD

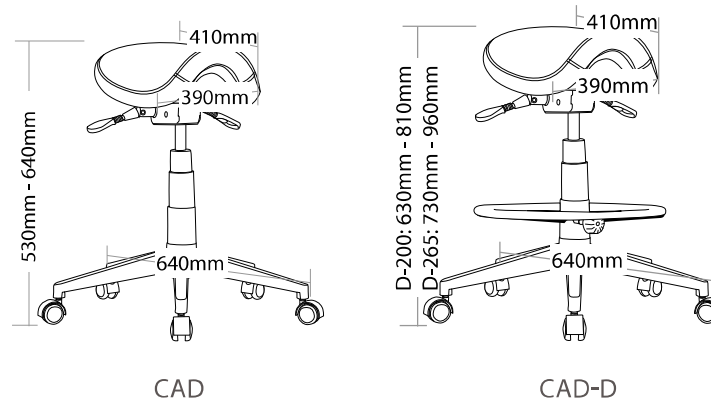
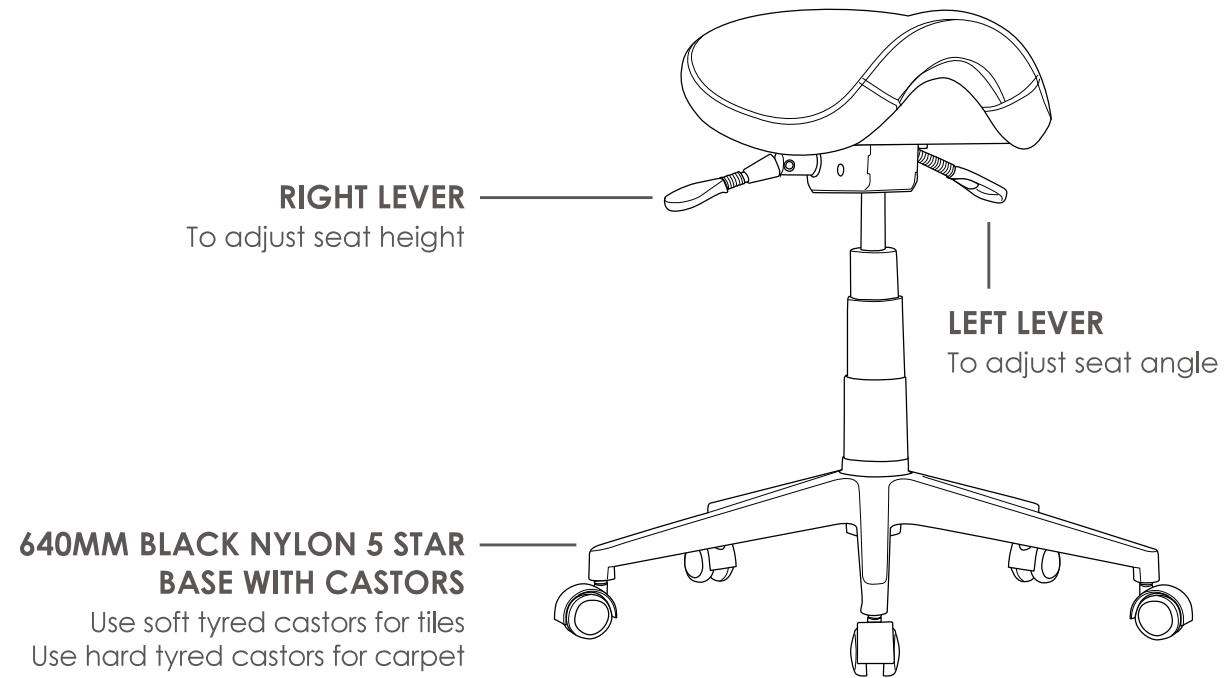


FEATURES

- » Adjustable seat height
- » Adjustable seat angle
- » Optional drafting kit
- » Optional glides or brake castors
- » Saddle seat
- » Nylon castors
- » 640mm black nylon base
- » Available in black PU only
- » Minor assembly required
- » Suitable for indoor use only
- » 5 year warranty
- » Weight limit is 120kg

INDOOR USE ONLY

✗ Do not use as a step ladder



CAD INDUSTRIAL STOOL



CAD



CAD-D



BACK VIEW

R11 INDUSTRIAL STOOLS

STAGE



FEATURES

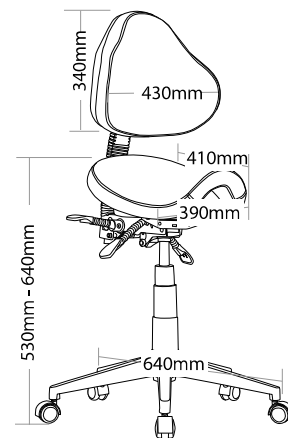
- » Adjustable seat height
- » Adjustable back height
- » Adjustable seat and back angle
- » Optional drafting kit
- » Optional glides or brake castors
- » Saddle seat
- » 640mm black nylon base with castors
- » Available in black PU only
- » Minor assembly required
- » Suitable for indoor use only
- » 5 year warranty
- » Weight limit is 120kg

INDOOR USE ONLY

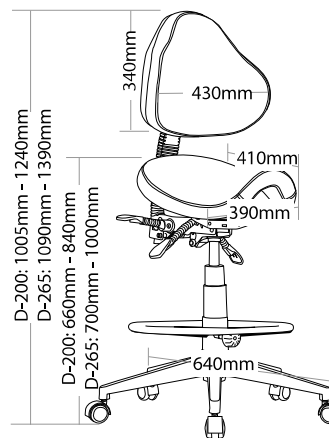
X Do not use as a step ladder

640MM BLACK NYLON 5 STAR BASE WITH CASTORS

Use soft tyred castors for tiles
Use hard tyred castors for carpet



STAGE



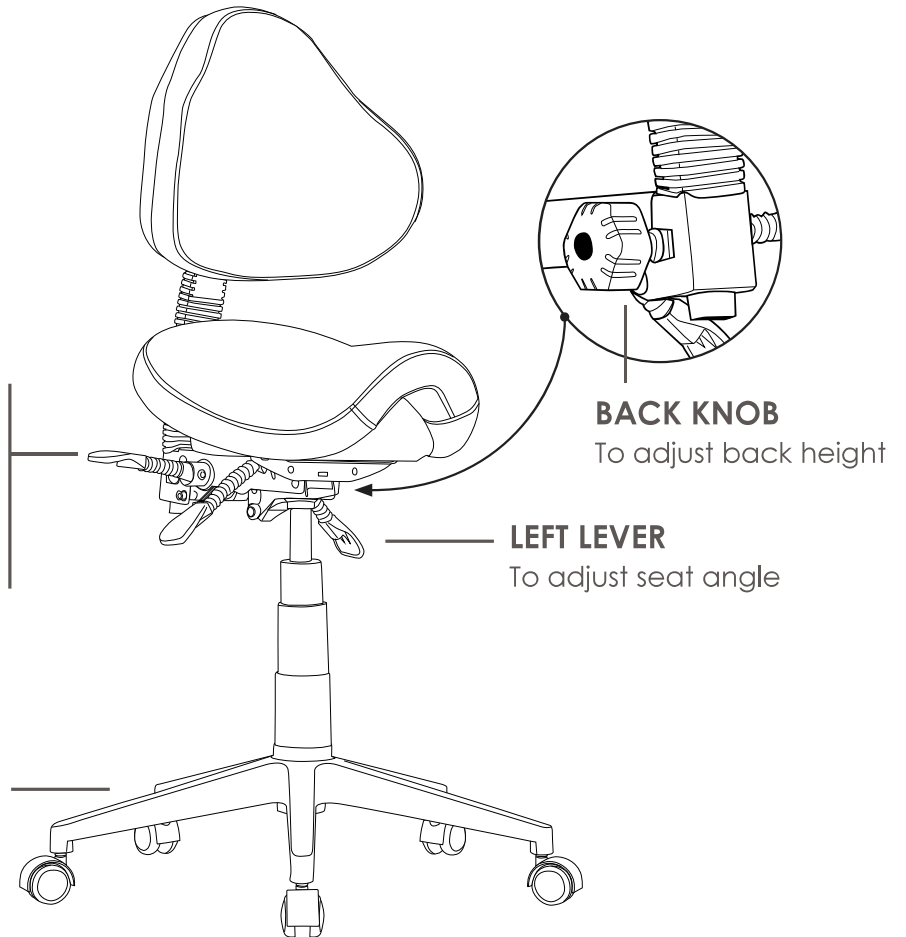
STAGE-D

RIGHT BACK LEVER
To adjust back angle

RIGHT FRONT LEVER
To adjust seat height

BACK KNOB
To adjust back height

LEFT LEVER
To adjust seat angle



STAGE INDUSTRIAL STOOL



STAGE



STAGE-D



BACK VIEW

R11 INDUSTRIAL STOOLS

STATE

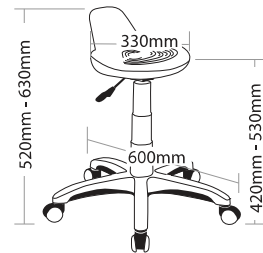
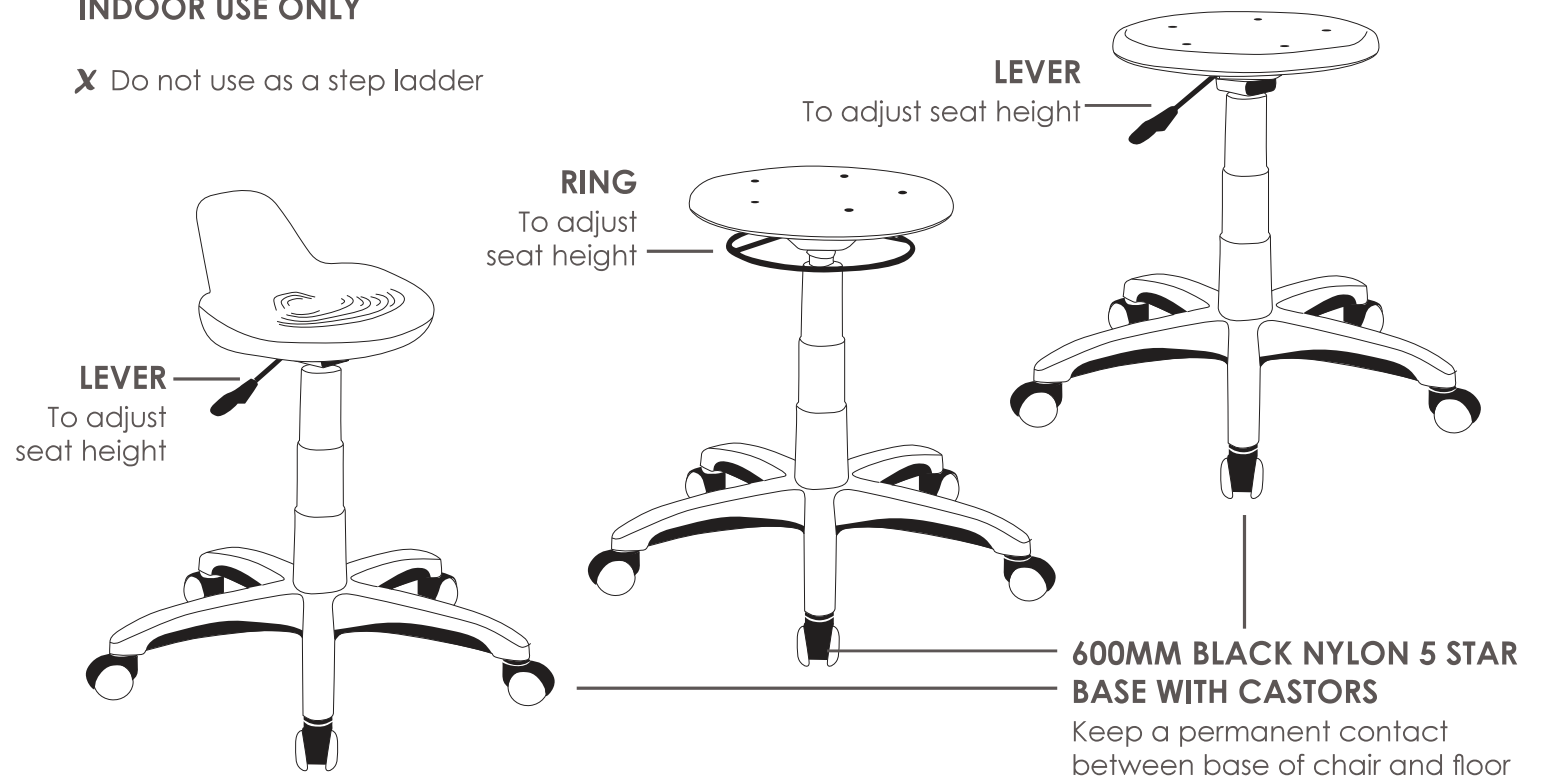


FEATURES

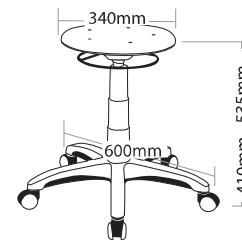
- » Adjustable seat height
- » Optional drafting kit
- » Optional glides or brake castors
- » 600mm black nylon base
- » Available in black only
- » Minor assembly required
- » Suitable for indoor use only
- » 5 year warranty
- » Weight limit is 120kg

INDOOR USE ONLY

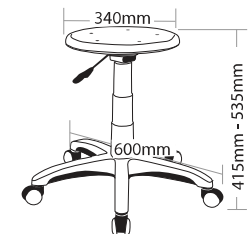
✗ Do not use as a step ladder



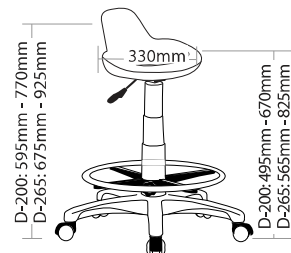
ST001



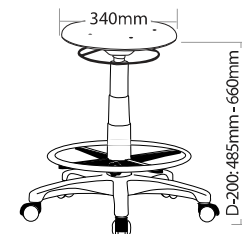
ST005



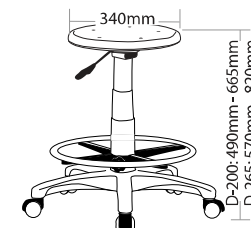
ST008



ST001D



ST005D



ST008D

STATE INDUSTRIAL STOOL



ST001



ST005



ST008



ST001D



ST005D



ST008D

R11 INDUSTRIAL STOOLS

STATE

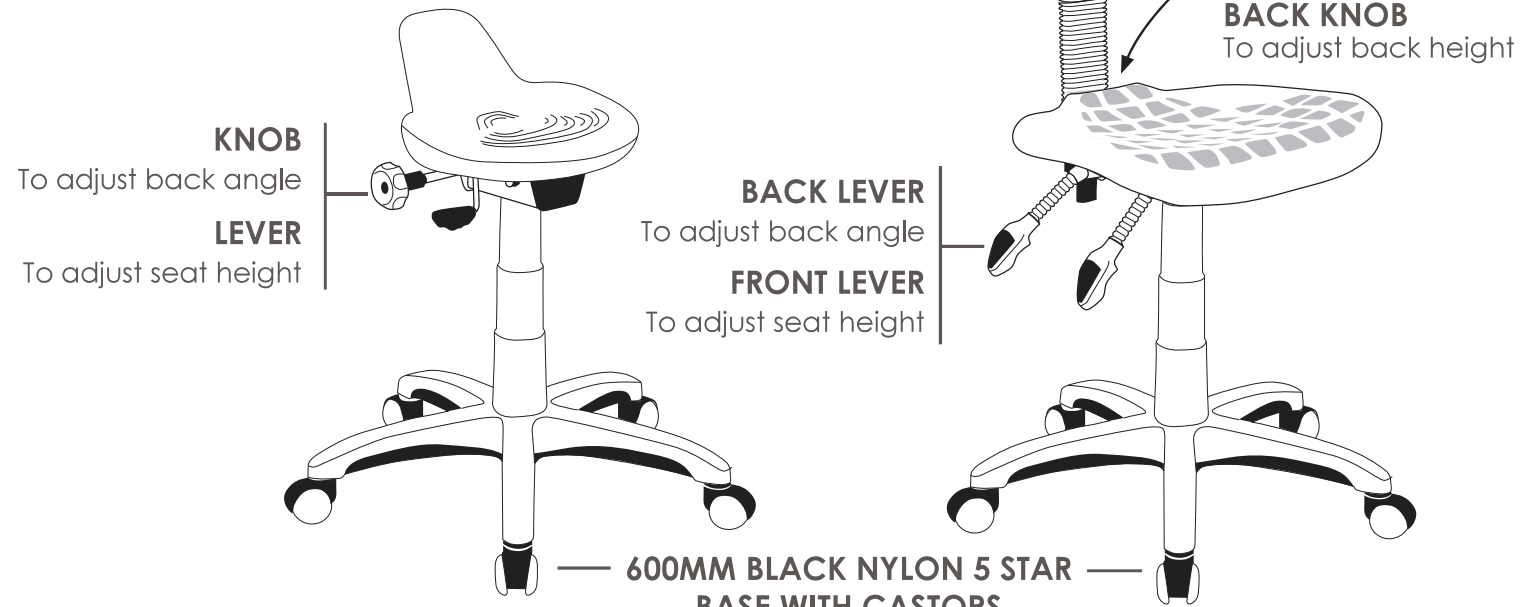


FEATURES

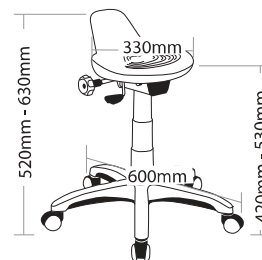
- » Adjustable seat height
- » Adjustable back height (ST007 only)
- » Adjustable seat angle (ST007 only)
- » Optional drafting kit
- » Optional glides or brake castors
- » 600mm black nylon base
- » Available in black only
- » Minor assembly required
- » Suitable for indoor use only
- » 5 year warranty
- » Weight limit is 120kg

INDOOR USE ONLY

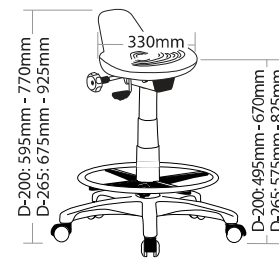
X Do not use as a step ladder



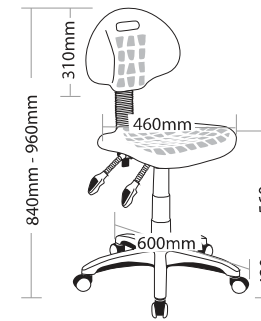
Keep a permanent contact between base of chair and floor



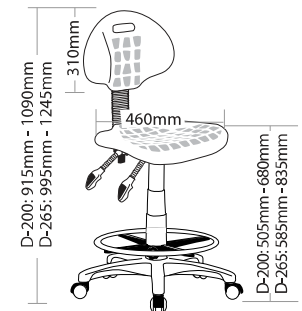
ST006



ST006D



ST007



ST007D

STATE INDUSTRIAL STOOL



ST006



ST006D



ST007



ST007D



Adco Office Furniture 119 Burwood Highway Burwood Victoria 3125
Phone: 03 9808 4404 Email: sales@adco.com.au Web: adco.com.au