

**Adco
Office
Furniture**
desking • seating • storage



2022-2023

CATALOGUE

Effective on 01/09/2022



Warranty period for chairs and lounges



Weight rating for individual chairs and lounges*



Fully imported Chairs, lounges, parts and components.



The Performance criteria adopted for certification by Furntech is based on Australian standards, e.g. Level 6 - Severe commercial and heavy industrial.*

**Weight limits are self-rated by Style Ergonomic Australia. AFRDI approved chairs are normally rated to 110kg.*

AFRDI 142 Certification



AFRDI rating for multi shift use and 160kg weight limit.



Furntech is an independent not-for-profit technical organisation providing standards, testing product certification and research for buyers and sellers of furniture.



BIFMA is a third-party certification program that provides manufacturers with valuable feedback for evaluating the environmental, human, and social impacts of their furniture products for manufacturing, facility, and organisation.



All instructions of use are instructed while sitting in the chair.

R7 HOSPITALITY SEATING

NEO

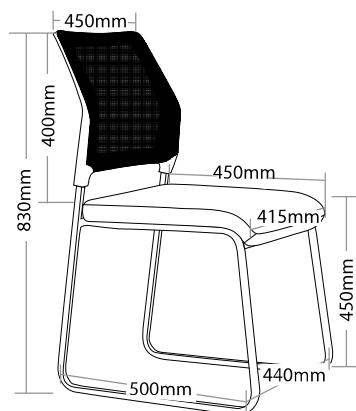
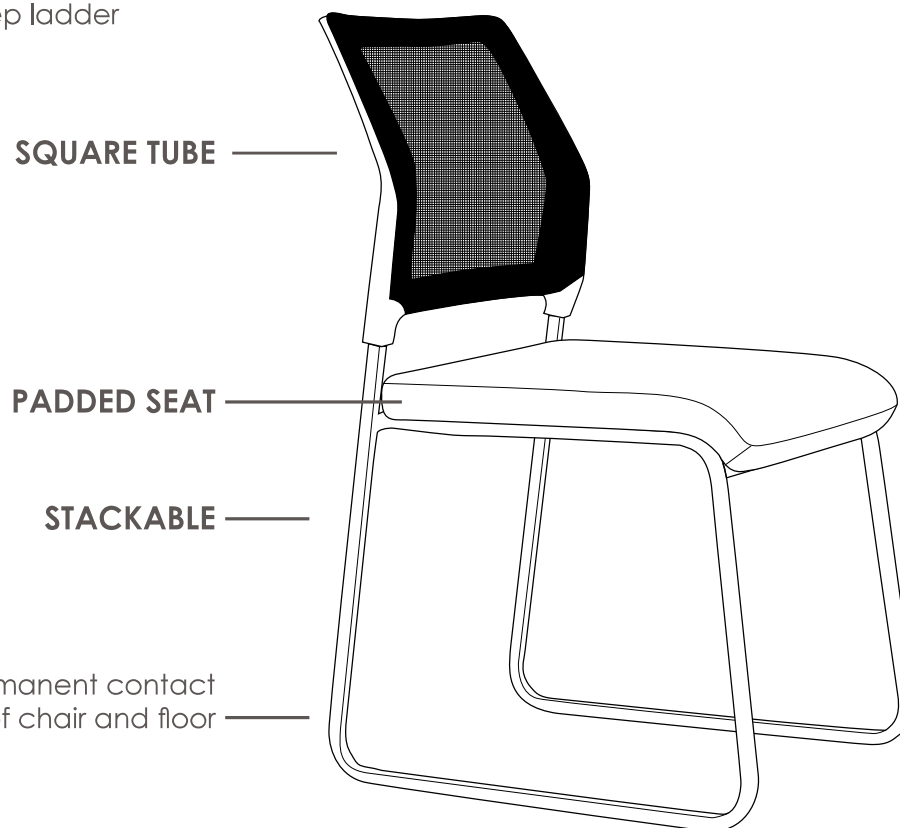


FEATURES

- » Not available with arms
- » Stackable
 - » Maximum 5 chairs on floor
- » Square tube
- » Mesh back
- » Padded seat
- » Black metal frame
- » Available in black only
- » Minor assembly required
- » Suitable for indoor use only
- » 3 year warranty
- » Weight limit is 120kg

INDOOR USE ONLY

X Do not use as a step ladder



NEO

NEO HOSPITALITY SEATING



NEO



BACK VIEW



SIDE VIEW

R7 HOSPITALITY SEATING

ROSE



FEATURES

- » Soft padding
- » Polyurethane arm pads
- » Chrome finish
- » Fully welded frame
- » Available in black PU only
- » Minor assembly required
- » Suitable for indoor use only
- » 3 year warranty
- » Weight limit is 120kg

INDOOR USE ONLY

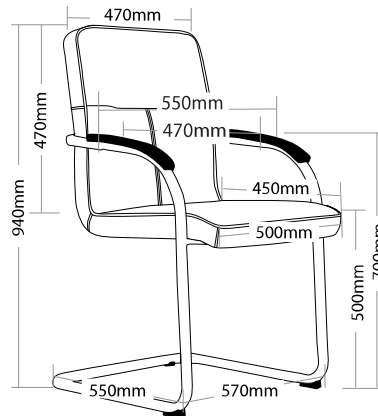
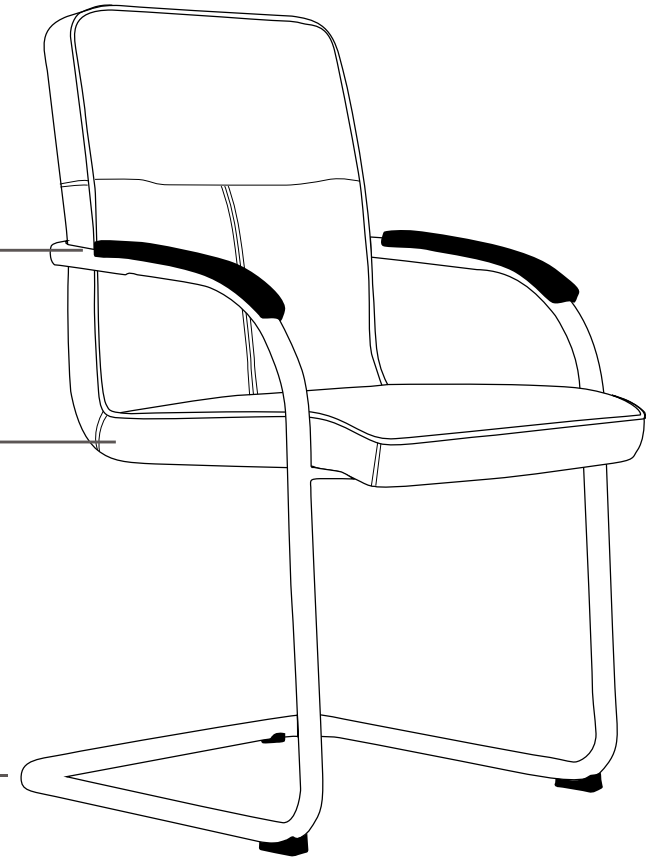
✘ Do not use as a step ladder

POLYURETHANE
ARM PADS

SOFT PADDING

CHROME FRAME

Keep a permanent contact
between base of chair and floor



ROSE

ROSE HOSPITALITY SEATING



ROSE



BACK VIEW



SIDE VIEW

R7 HOSPITALITY SEATING

FOCUS



FEATURES

- » Optional arms
- » Optional left / right hand tablet arm
- » Optional black metal trolley, easy to move when stacked
- » Available in beam seating
- » Multi purpose stackable client chair
 - » Maximum 20 chairs on trolley
 - » Maximum 5 chairs on floor
 - » Maximum 3 chairs with arms
 - » Not stackable with tablet arms
- » Linkable except with tablet arms or arms
- » Fully strengthened plastic back shell
- » Fully welded frame
- » Sled chrome base
- » Available in black only
- » BIFMA drop tested
- » Suitable for indoor use only
- » 4 year warranty
- » Weight limit is 120kg

INDOOR USE ONLY

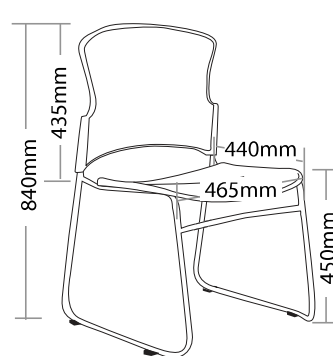
✗ Do not use as a step ladder

WELDED FRAME

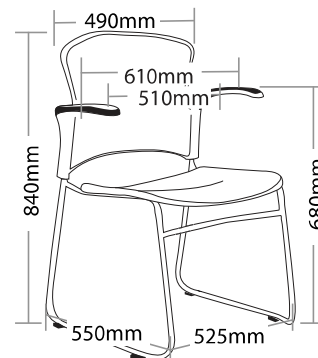
STACKABLE

SLED BASE FRAME

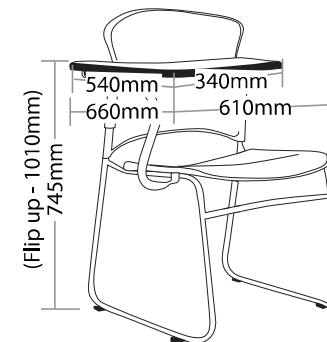
Keep a permanent contact between base of chair and floor



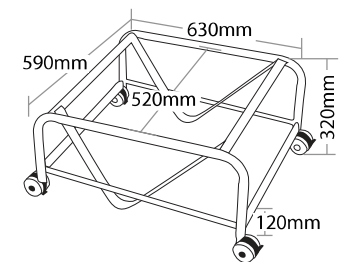
FOC-1



FOC-1A



FOC-1TR



FOC-TRL

FOCUS HOSPITALITY SEATING



FOC-1



FOC-1A



FOC-1TR



FOC-1TL



FOC-TRL



VINN



FEATURES

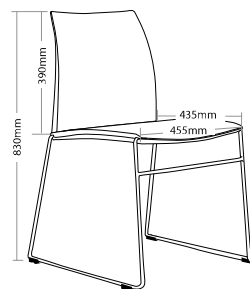
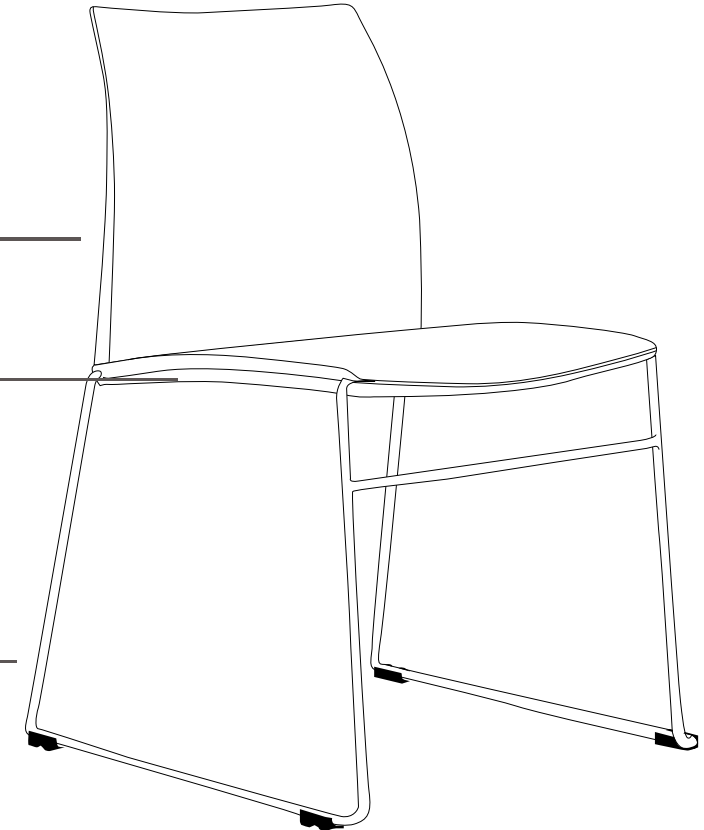
- » Optional plastic or mesh back
- » Optional arms, tablet arm or stool
- » Optional black metal trolley, easy to move when stacked
- » Available in beam seating
- » Stackable
 - » Maximum 13 chairs on trolley
 - » Maximum 5 chairs on floor
 - » Maximum 3 chairs with stools or arms
- » Not stackable with tablet arms or stool with arms
- » Linkable except with tablet arms or arms
- » Chrome finish
- » Black plastic
- » Plastic under pan
- » Solid steel sled base frame
- » Available in black only
- » Suitable for indoor use only
- » 4 year warranty
- » Weight limit is 120kg

INDOOR USE ONLY

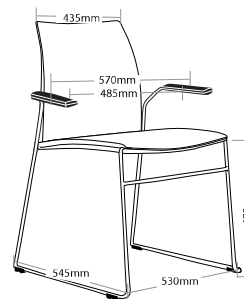
✘ Do not use as a step ladder

STACKABLE
PLASTIC UNDER PAN

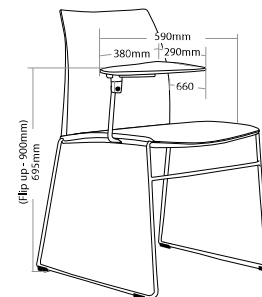
SOLID STEEL SLED BASE FRAME
Keep a permanent contact between base of chair and floor



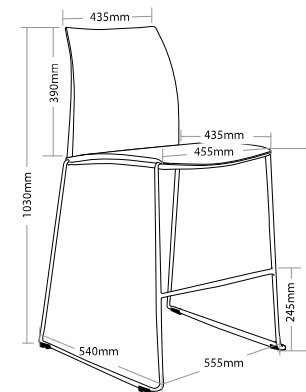
VINN-B



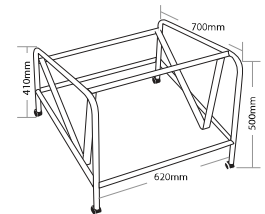
VINN-BA



VINN-BT



VINN-B-ST



VINN-TRL

VINN HOSPITALITY SEATING



VINN-B



VINN-BA



VINN-BT



VINN-B-ST



VINN-B-STA



VINN-TRL

VINN MESH

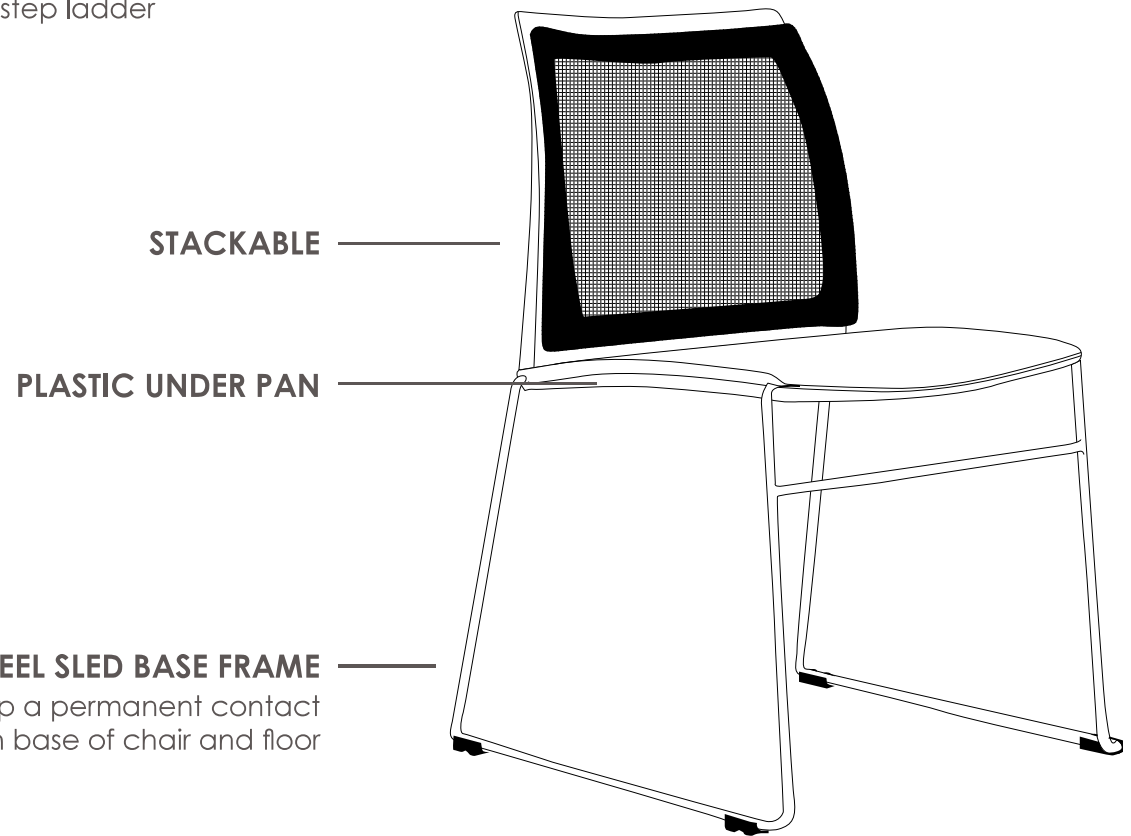


FEATURES

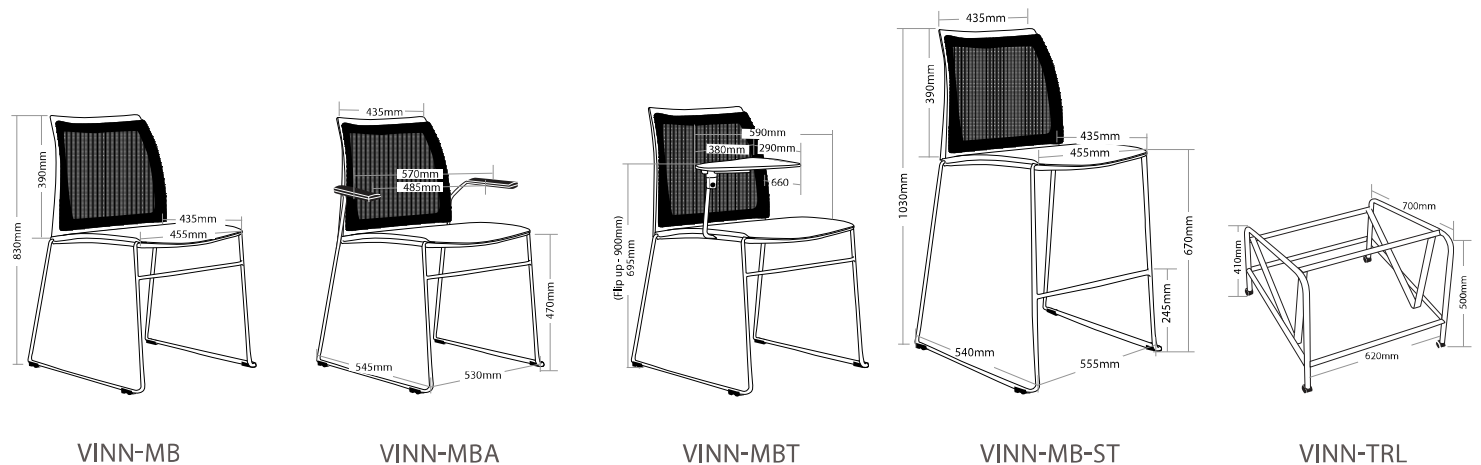
- » Optional plastic or mesh back
- » Optional arms, tablet arm or stool
- » Optional black metal trolley, easy to move when stacked
- » Available in beam seating
- » Stackable
 - » Maximum 13 chairs on trolley
 - » Maximum 5 chairs on floor
 - » Maximum 3 chairs with stools or arms
- » Not stackable with tablet arms or stool with arms
- » Linkable except with tablet arms or arms
- » Chrome finish
- » Black plastic
- » Plastic under pan
- » Solid steel sled base frame
- » Available in black only
- » Suitable for indoor use only
- » 4 year warranty
- » Weight limit is 120kg

INDOOR USE ONLY

✗ Do not use as a step ladder



SOLID STEEL SLED BASE FRAME
Keep a permanent contact between base of chair and floor



VINN-MB

VINN-MBA

VINN-MBT

VINN-MB-ST

VINN-TRL

VINN MESH HOSPITALITY SEATING



VINN-MB



VINN-MBA



VINN-MBT



VINN-MB-ST



VINN-MB-STA



VINN-TRL



POD 4 LEGS



FEATURES

- » Optional arms
- » Optional tablet arm
- » Optional stool
- » Optional black metal trolley, easy to move when stacked
- » Optional 4 legs or sled base chrome frame
- » Available in beam seating
- » Stackable
 - » Maximum 13 chairs on trolley
 - » Maximum 5 chairs on floor
 - » Maximum 3 chairs with stool or arms
 - » Maximum 3 chairs with tablet arms
- » Plastic under pan
- » Available in black, red and white only
- » Suitable for indoor use only
- » 4 year warranty
- » Weight limit is 120kg

COLOUR



B-Black R-Red W-White

INDOOR USE ONLY

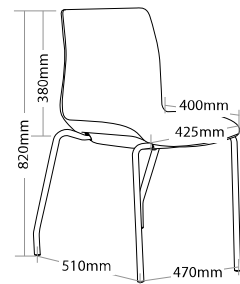
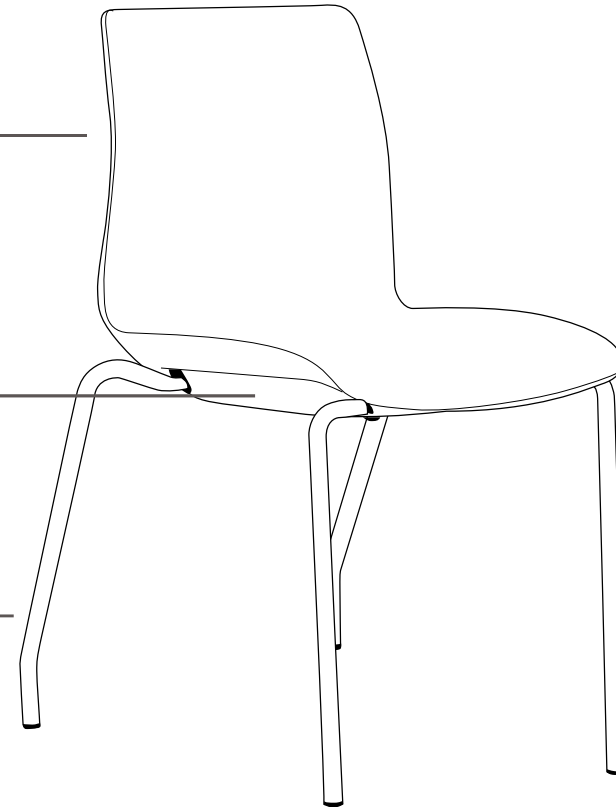
✗ Do not use as a step ladder

STACKABLE

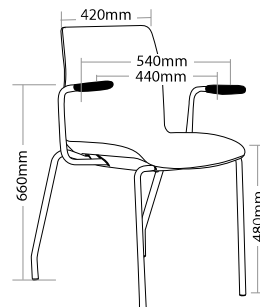
PLASTIC UNDER PAN

4 LEGS FRAME

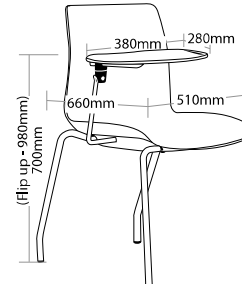
Keep a permanent contact between base of chair and floor



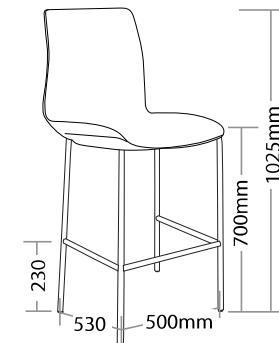
POD-4



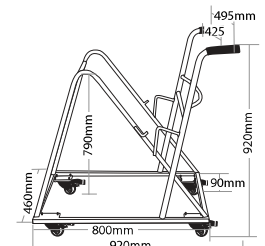
POD-4A



POD-4T



POD-ST



POD-TRL

POD 4 LEGS HOSPITALITY SEATING



POD-4B



POD-4RA



POD-4WT



POD-STW



POD-STB



POD-TRL

R7 HOSPITALITY SEATING

POD SLED



FEATURES

- » Optional arms
- » Optional tablet arm
- » Optional black metal trolley, easy to move when stacked
- » Optional 4 legs or sled base chrome frame
- » Available in beam seating
- » Stackable
 - » Maximum 13 chairs on trolley
 - » Maximum 5 chairs on floor
 - » Not stackable with arms or tablet arms
- » Plastic under pan
- » Available in black, red and white only
- » Suitable for indoor use only
- » 4 year warranty
- » Weight limit is 120kg

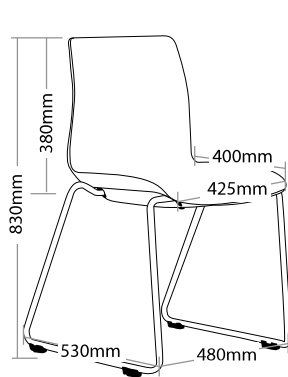
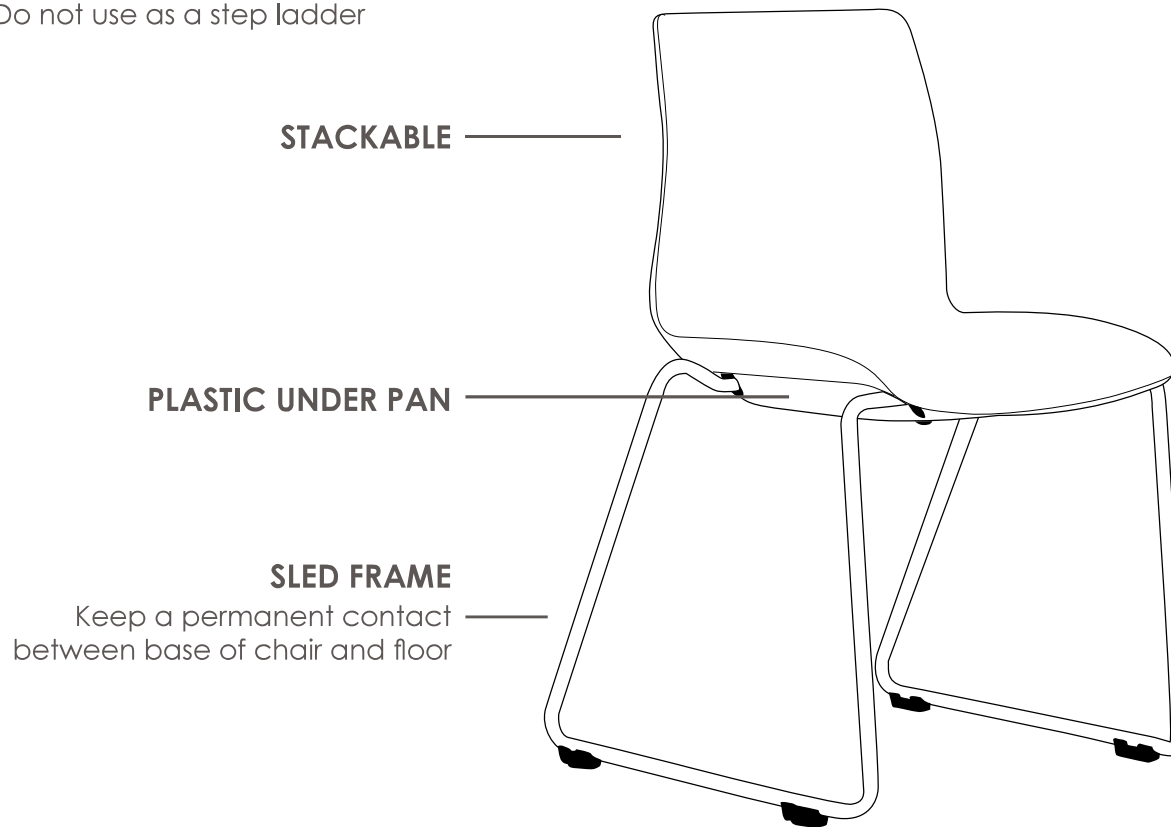
COLOUR



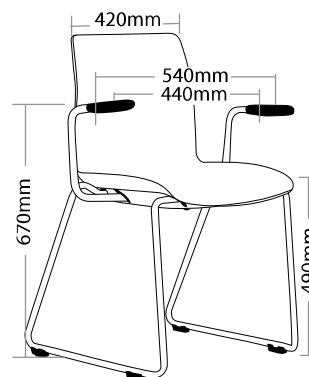
B-Black R-Red W-White

INDOOR USE ONLY

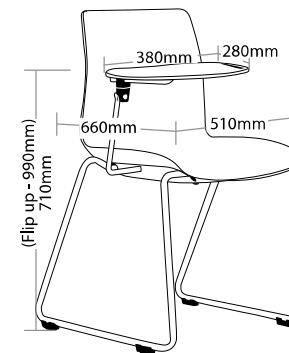
✗ Do not use as a step ladder



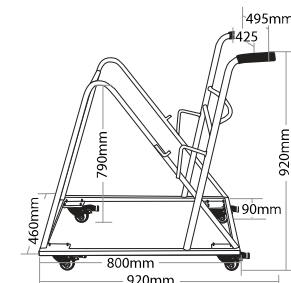
POD-S



POD-SA



POD-ST



POD-TRL

POD SLED HOSPITALITY SEATING



POD-SB



POD-SRA



POD-SWT



POD-TRL

R8 BEAM SEATING

FOCUS

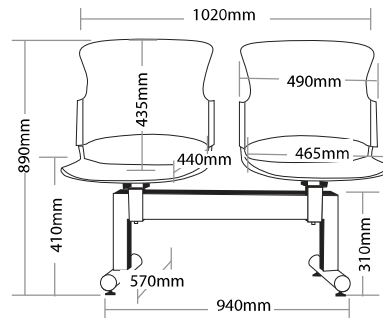
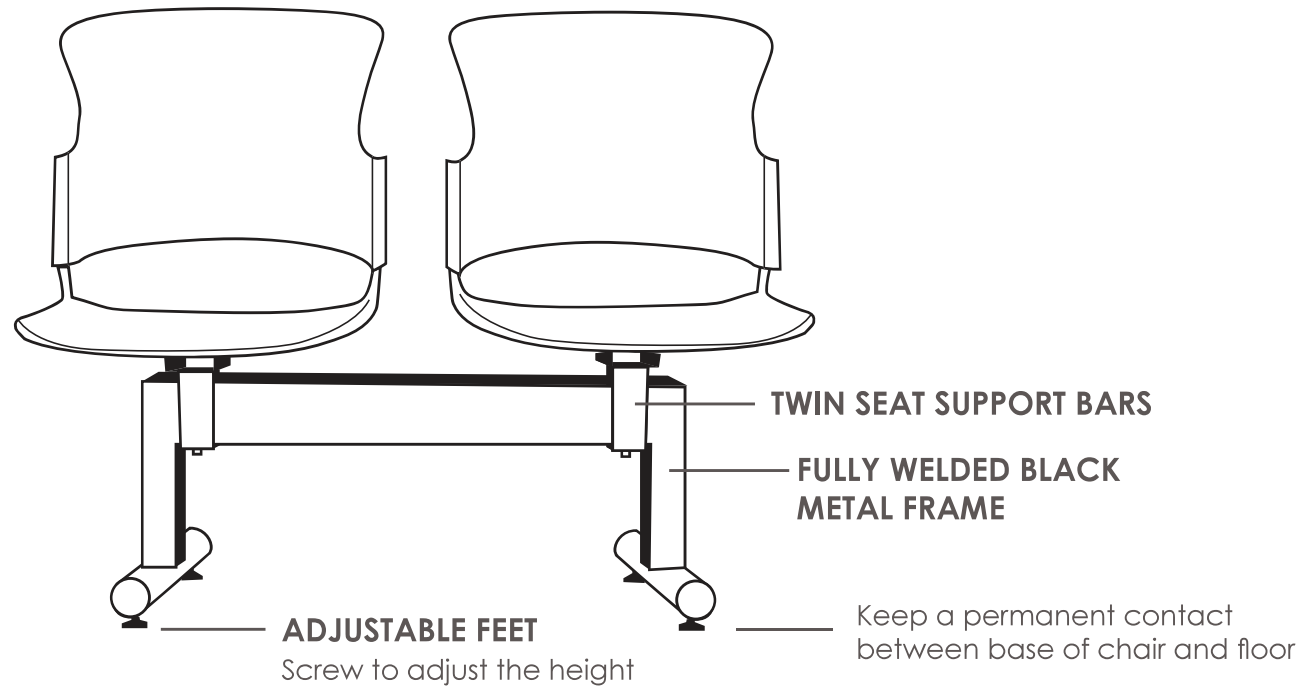


FEATURES

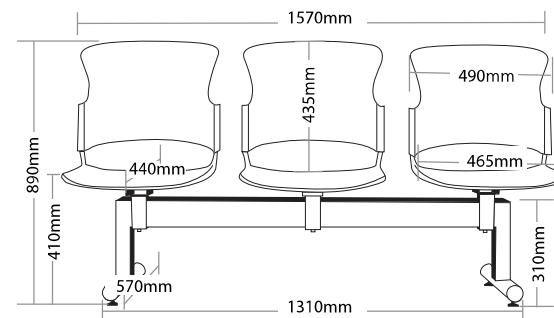
- » Optional 2 or 3 seater
- » Fully welded black metal frame
- » Twin seat support bars
- » Adjustable feet
- » Available in black only
- » Minor assembly required
- » Suitable for indoor use only
- » 4 year warranty
- » Weight limit for 2 seater is 200kg
- » Weight limit for 3 seater is 300kg

INDOOR USE ONLY

✘ Do not use as a step ladder



F-BEAM 2



F-BEAM 3

FOCUS BEAM SEATING



F-BEAM 2



F-BEAM 3

R8 BEAM SEATING

VINN

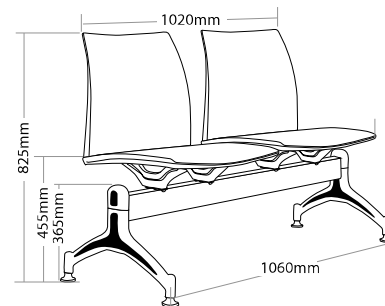
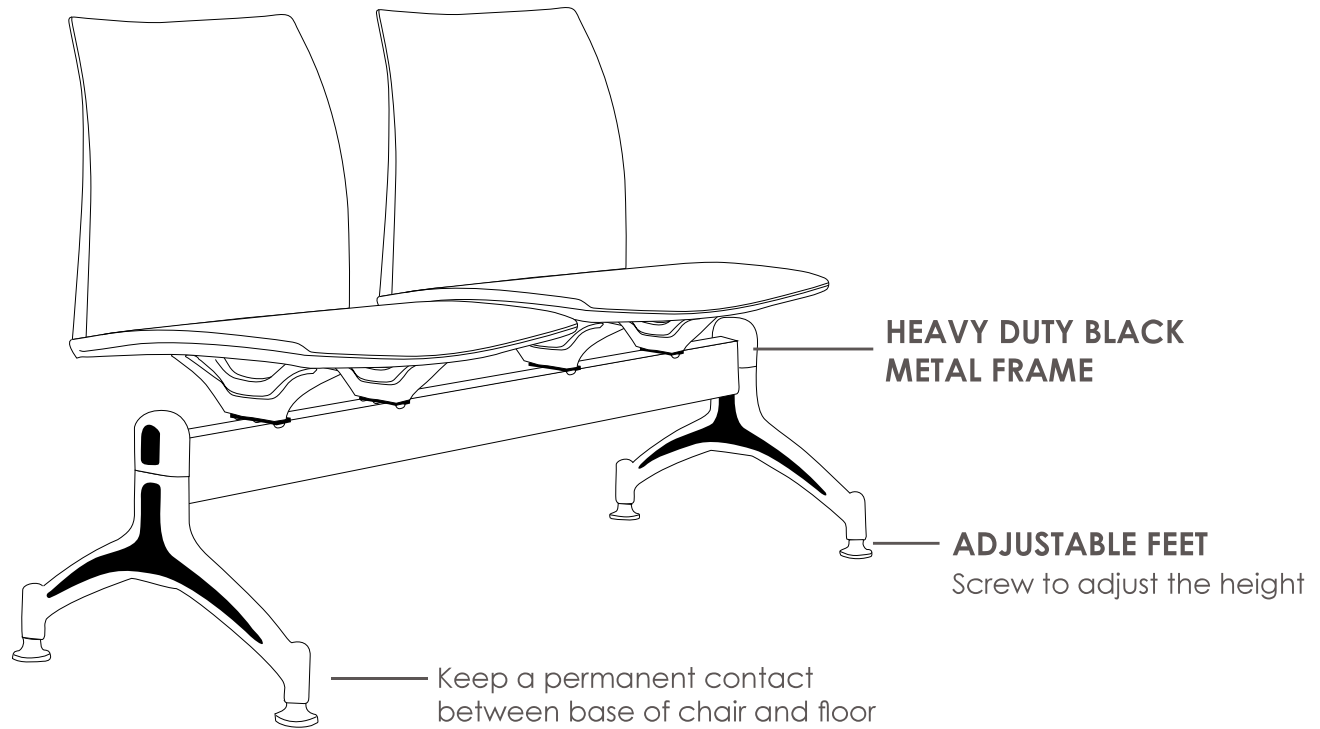


FEATURES

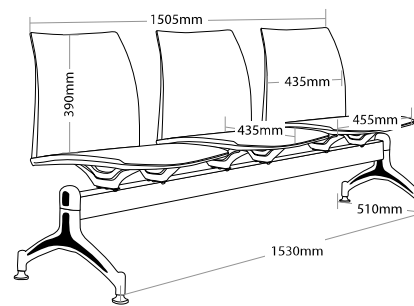
- » Optional 2, 3 or 4 seater
- » Optional plastic or mesh back
- » Heavy duty black metal beam frame
- » Black plastic
- » Adjustable feet
- » Available in black only
- » Minor assembly required
- » Suitable for indoor use only
- » 4 year warranty
- » Weight limit for 2 seater is 180kg
- » Weight limit for 3 seater is 250kg
- » Weight limit for 4 seater is 300kg

INDOOR USE ONLY

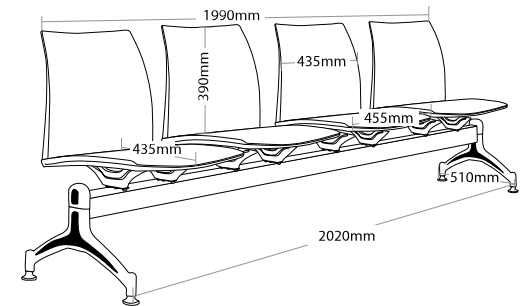
✘ Do not use as a step ladder



V-BEAM 2



V-BEAM 3



V-BEAM 4

VINN BEAM SEATING



V-BEAM 2



V-BEAM 3



V-BEAM 4



V-BEAM 2M



V-BEAM 3M



V-BEAM 4M

R8 BEAM SEATING

POD



FEATURES

- » Optional 2, 3 or 4 seater
- » Heavy duty black metal beam frame
- » Adjustable feet
- » Available in black, red and white only
- » Minor assembly required
- » Suitable for indoor use only
- » 4 year warranty
- » Weight limit for 2 seater is 200kg
- » Weight limit for 3 seater is 300kg
- » Weight limit for 4 seater is 350kg

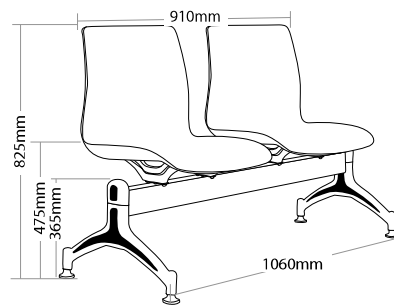
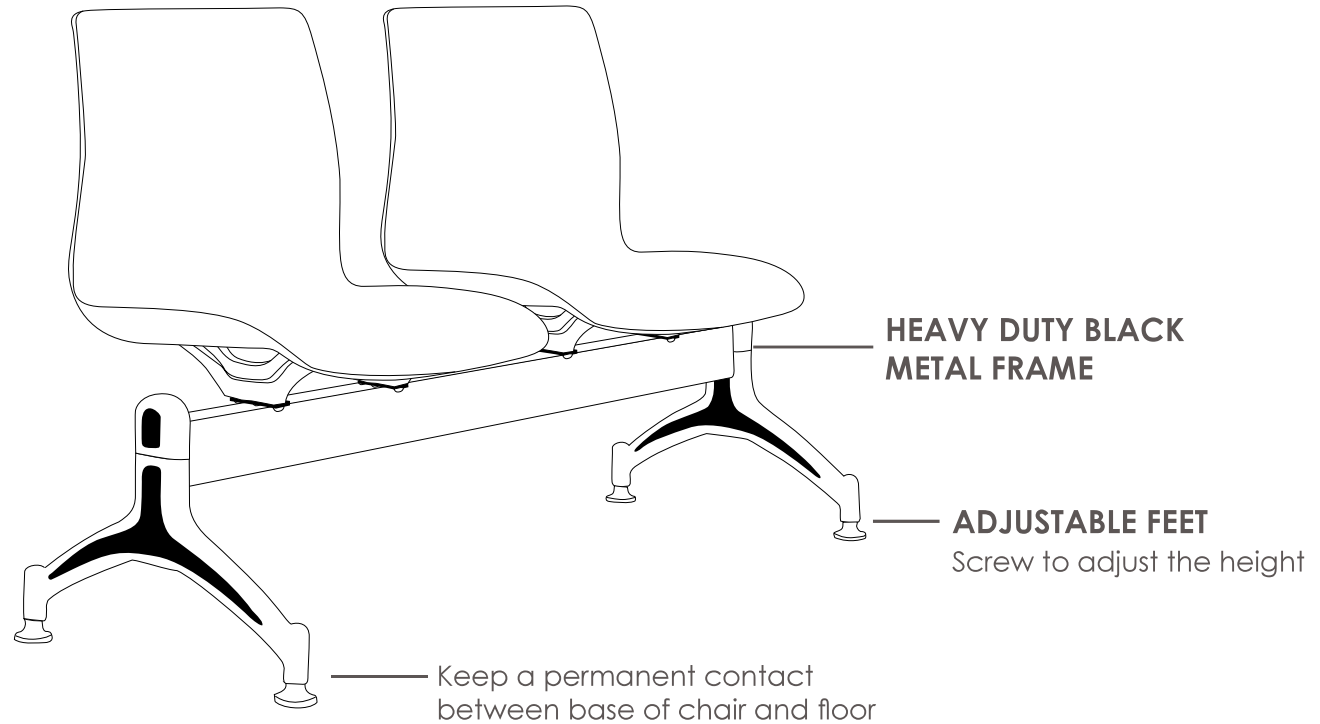
COLOUR



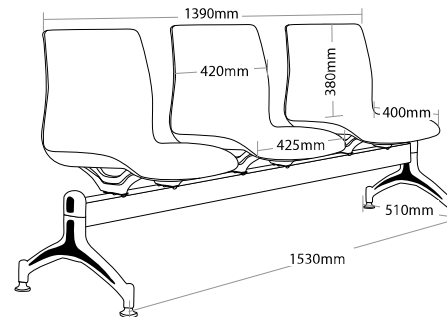
B-Black R-Red W-White

INDOOR USE ONLY

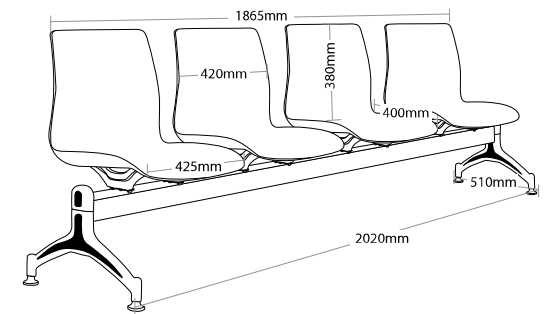
✘ Do not use as a step ladder



P-BEAM 2



P-BEAM 3



P-BEAM 4

POD BEAM SEATING



P-BEAM 2B



P-BEAM 3R



P-BEAM 4W



SIDE VIEW



BACK VIEW

R9 BREAKOUT SEATING

RAVEN



FEATURES

- » Fully upholstered
- » High density foam
- » Sled base chrome frame
- » Plywood shell
- » Available in Sega charcoal and red only
- » Minor assembly required
- » Suitable for indoor use only
- » 5 year warranty
- » Weight limit is 130kg

COLOUR



INDOOR USE ONLY

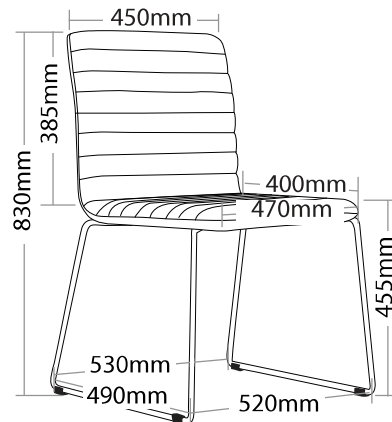
✘ Do not use as a step ladder

PLYWOOD SHELL

HIGH DENSITY FOAM

SLED CHROME FRAME

Keep a permanent contact between base of chair and floor



RAVEN

RAVEN BREAKOUT SEATING



RAVEN-C



RAVEN-R



BACK VIEW

R9 BREAKOUT SEATING

TONIC



FEATURES

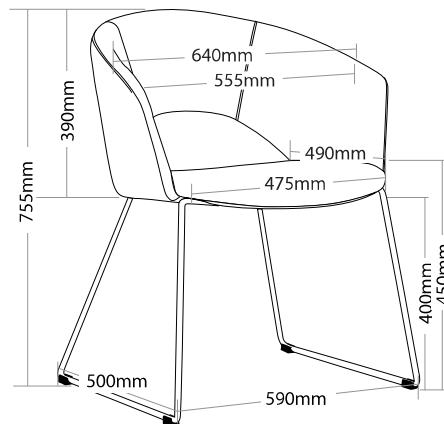
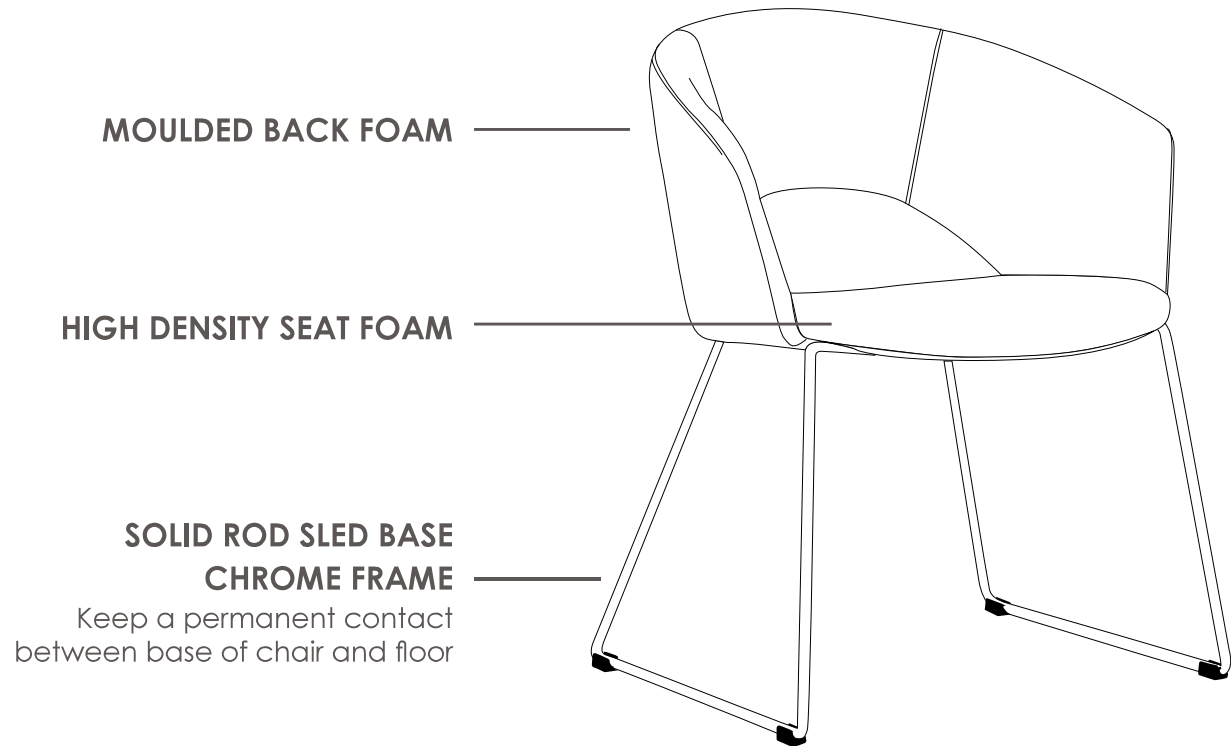
- » High density seat foam
- » Moulded back foam
- » Solid rod sled base chrome frame
- » Available in Sega charcoal and red only
- » Minor assembly required
- » Suitable for indoor use only
- » 5 year warranty
- » Weight limit is 120kg

COLOUR



INDOOR USE ONLY

✘ Do not use as a step ladder



TONIC

TONIC BREAKOUT SEATING



TONIC-C



TONIC-R



BACK VIEW

R9 BREAKOUT SEATING

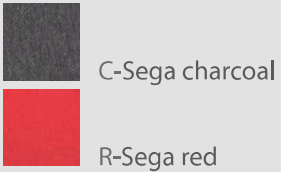
OSCAR



FEATURES

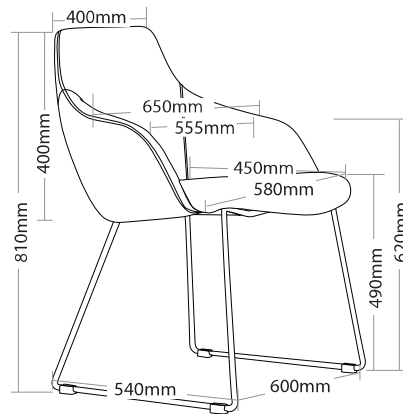
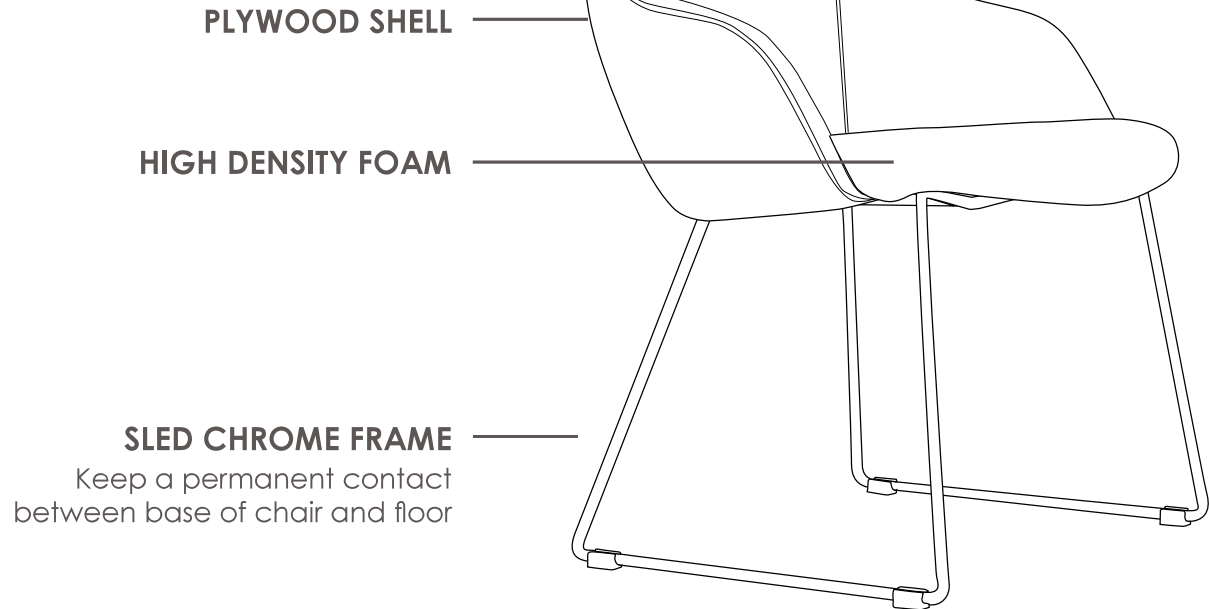
- » High density foam
- » Sled base chrome frame
- » Plywood shell
- » Available in Sega charcoal and red only
- » Minor assembly required
- » Suitable for indoor use only
- » 5 year warranty
- » Weight limit is 130kg

COLOUR



INDOOR USE ONLY

✘ Do not use as a step ladder



OSCAR

OSCAR BREAKOUT SEATING



OSCAR-C



OSCAR-R



BACK VIEW

R10 SOFT SEATING

ORION

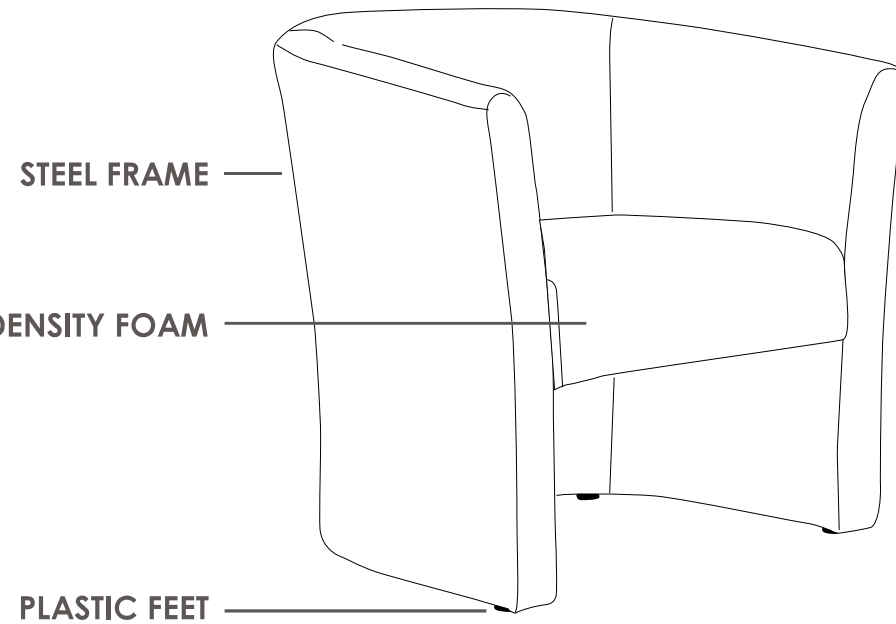


FEATURES

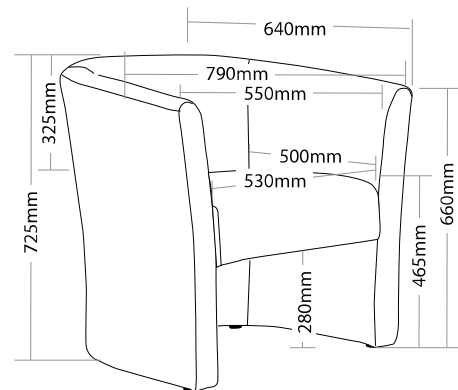
- » High density foam
- » Steel frame
- » Plastic feet
- » Available in black PU only
- » Minor assembly required
- » Suitable for indoor use only
- » 3 year warranty
- » Weight limit is 120kg

INDOOR USE ONLY

X Do not use as a step ladder



Keep a permanent contact
between base of chair and floor



ORION

ORION SOFT SEATING



ORION



FRONT VIEW



BACK VIEW

R10 SOFT SEATING

BLITZ

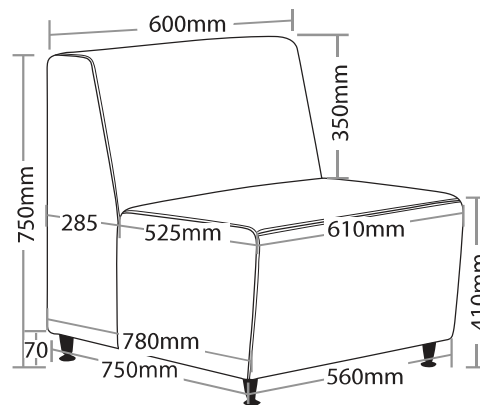
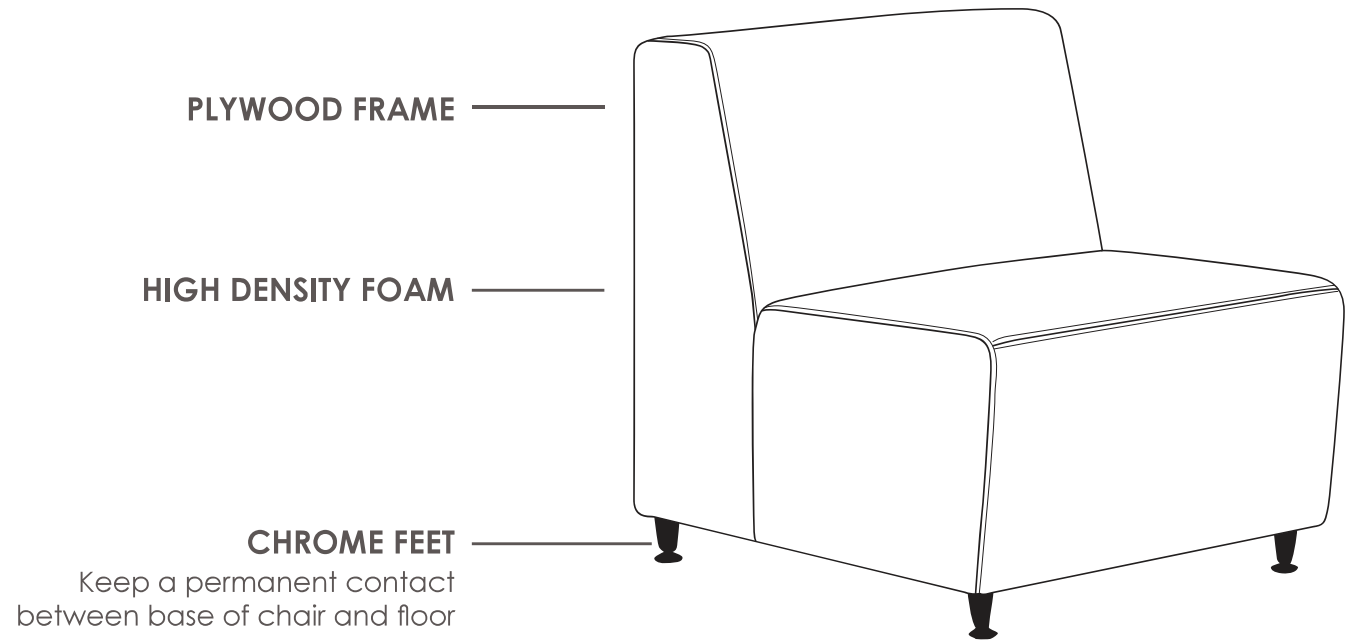


FEATURES

- » High density foam
- » Zig zag steel spring
- » Plywood frame
- » Chrome feet
- » Available in black PU
- » Minor assembly required
- » Suitable for indoor use only
- » 5 year warranty
- » Weight limit is 120kg

INDOOR USE ONLY

✘ Do not use as a step ladder



BLITZ-B

BLITZ SOFT SEATING



BLITZ-B



BACK VIEW



SIDE VIEW

R10 SOFT SEATING

RIVET



FEATURES

- » Optional 1 or 2 seater
- » High density foam
- » Stainless steel frame
- » Solid timber inner frame
- » Available in black PU only
- » Minor assembly required
- » Suitable for indoor use only
- » 5 year structural warranty
- » Weight limit for 1 seater is 130kg
- » Weight limit for 2 seater is 260kg

INDOOR USE ONLY

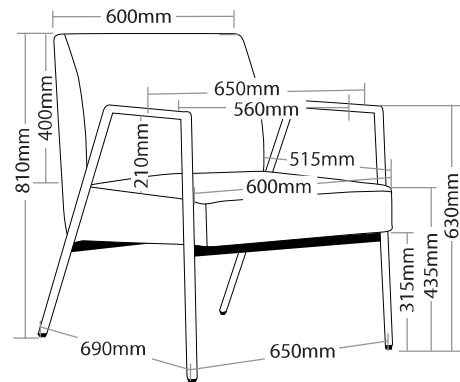
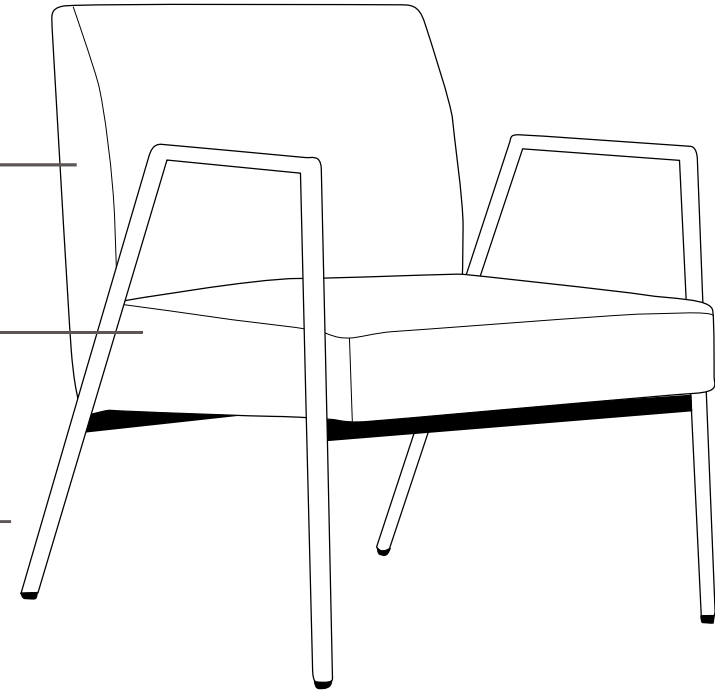
✘ Do not use as a step ladder

SOLID TIMBER INNER FRAME

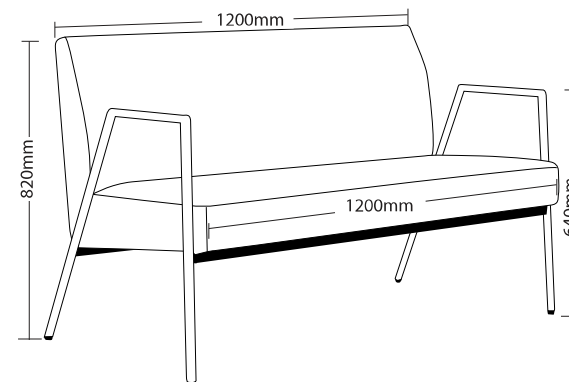
HIGH DENSITY FOAM

STAINLESS STEEL FRAME

Keep a permanent contact between base of chair and floor



RIVET-1



RIVET-2

RIVET SOFT SEATING



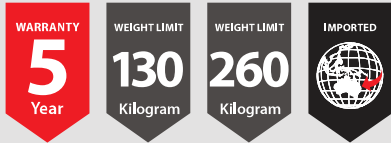
RIVET-1



RIVET-2

R10 SOFT SEATING

JADEN



FEATURES

- » Optional 1 or 2 seater
- » High density foam
- » Stainless steel frame
- » Solid timber inner frame
- » Available in black PU only
- » Minor assembly required
- » Suitable for indoor use only
- » 5 year structural warranty
- » Weight limit for 1 seater is 130kg
- » Weight limit for 2 seater is 260kg

INDOOR USE ONLY

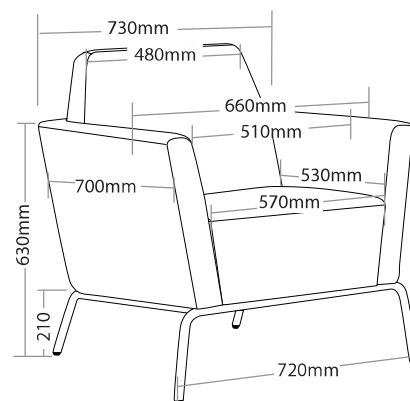
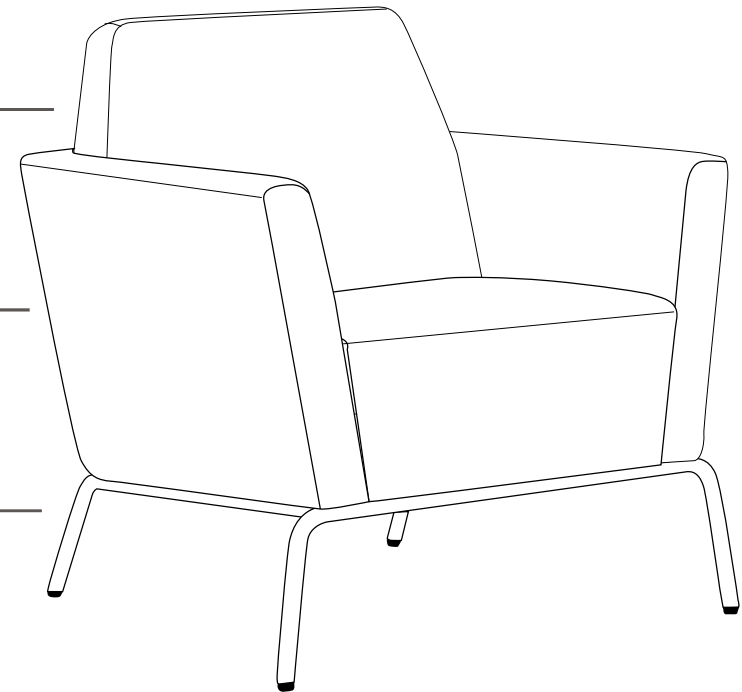
✘ Do not use as a step ladder

HIGH DENSITY FOAM

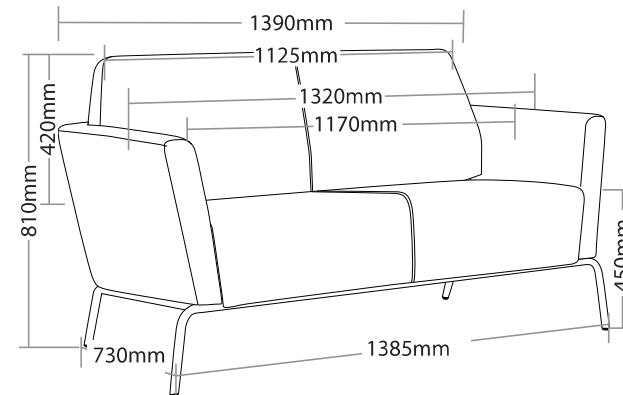
SOLID TIMBER INNER FRAME

STAINLESS STEEL FRAME

Keep a permanent contact between base of chair and floor



JADEN-1



JADEN-2

JADEN SOFT SEATING



JADEN-1



JADEN-2

R10 SOFT SEATING

PLAZA

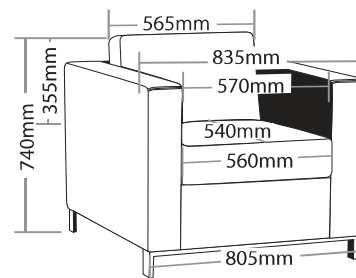
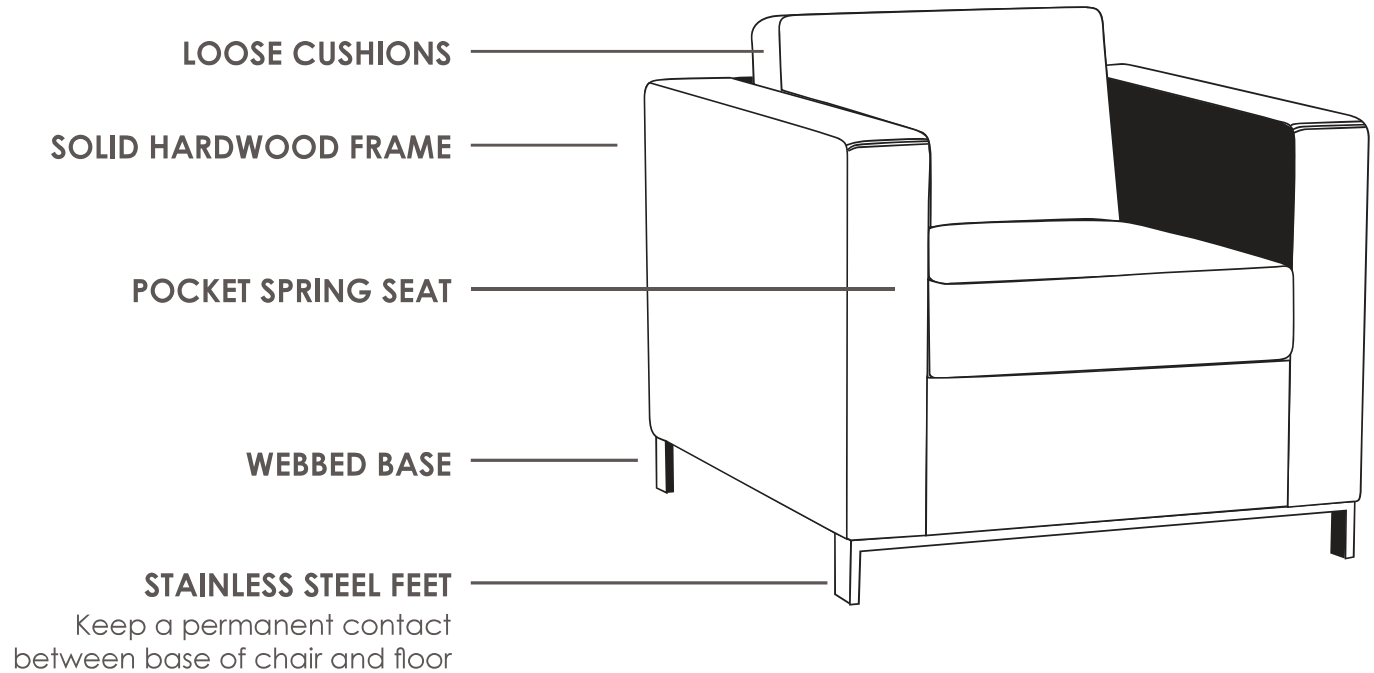


FEATURES

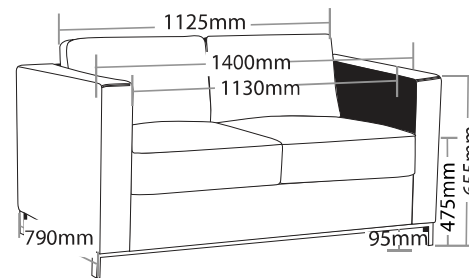
- » Optional 1, 2 or 3 seater
- » Pocket spring seat
- » Loose cushions upholstered both sides
- » Zig zag steel spring
- » Webbed base
- » Solid hardwood frame
- » Stainless steel feet
- » Available in black PU only
- » Minor assembly required
- » Suitable for indoor use only
- » 5 year warranty
- » Weight limit for 1 seater is 130kg
- » Weight limit for 2 seater is 260kg
- » Weight limit for 3 seater is 390kg

INDOOR USE ONLY

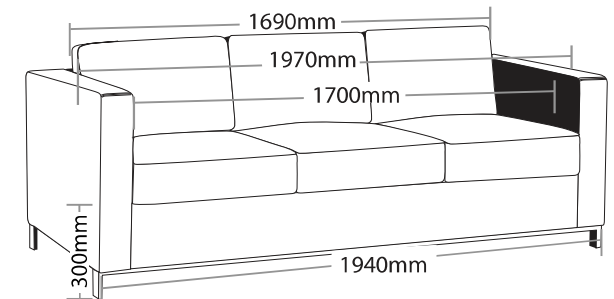
✘ Do not use as a step ladder



PL-1S



PL-2S



PL-3S

PLAZA SOFT SEATING



PL-1S



PL-2S



PL-3S