





Warranty period for chairs and lounges



Weight rating for individual chairs and lounges*



Fully imported Chairs, lounges, parts and components.



The Performance criteria adopted for certification by Furntech is based on Australian standards, e.g. Level 6 - Severe commercial and heavy industrial.*

**Weight limits are self-rated by Style Ergonomic Australia. AFRDI approved chairs are normally rated to 110kg.*

AFRDI 142
Certification

AFRDI 142

160KG

MULTI-SHIFT USE

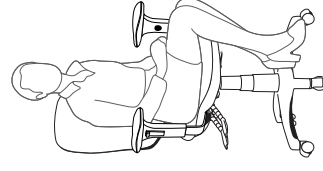
AFRDI rating for multi shift use and 160kg weight limit.



Furntech is an independent not-for-profit technical organisation providing standards, testing product certification and research for buyers and sellers of furniture.



BIFMA is a third-party certification program that provides manufacturers with valuable feedback for evaluating the environmental, human, and social impacts of their furniture products for manufacturing, facility, and organisation.



All instructions of use are instructed while sitting in the chair.

R4 MULTI SHIFT SEATING

SIREN

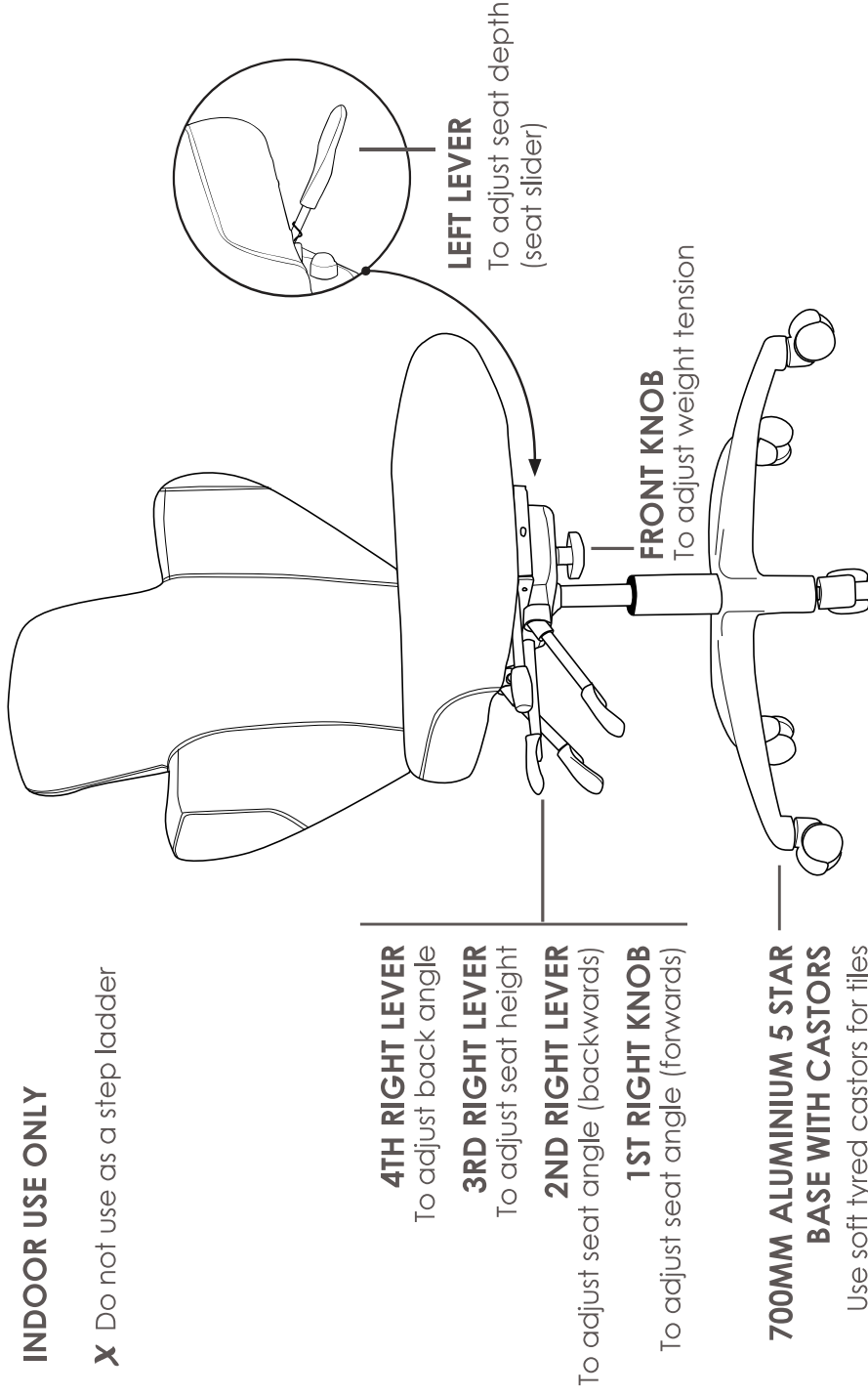


FEATURES

- » Adjustable seat height
- » Adjustable seat and back angle
- » Adjustable seat depth (seat slider)
- » Adjustable weight tension
- » 700mm aluminium base
- » Available in black PU only
- » Minor assembly required
- » Suitable for indoor use only
- » 5 year warranty
- » Weight limit is 140kg

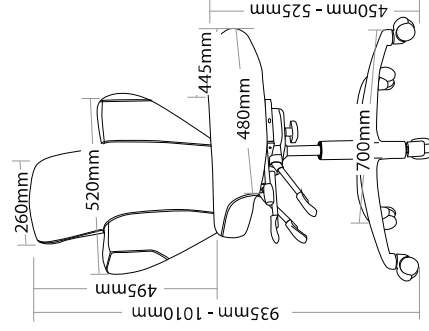
INDOOR USE ONLY

X Do not use as a step ladder



700MM ALUMINIUM 5 STAR BASE WITH CASTORS

Use soft tyred castors for tiles
Use hard tyred castors for carpet



SIREN

SIREN MULTI SHIFT SEATING



SIREN



BACK VIEW



SIDE VIEW

R4 MULTI SHIFT SEATING

LOGAN



FEATURES

- » Adjustable seat height
- » Adjustable back height (ratchet)
- » Adjustable seat and back angle
- » Adjustable weight tension
- » Adjustable arms
- » Available in high and low back
- » Moulded seat and back foam
- » 4 lever ergonomic mechanism
- » 700mm black nylon base
- » Available in black only
- » Minor assembly required
- » Suitable for indoor use only
- » 10 year warranty
- » Weight limit is 140kg

INDOOR USE ONLY

- ✘ Do not use as a step ladder

To adjust back height hold back with two hands while seated and raise to desired height

To lower the back height raise back all the way to the top and release slowly

ADJUSTABLE ARMS

RIGHT FOURTH LEVER

To adjust back angle

RIGHT THIRD LEVER

To adjust seat angle

RIGHT SECOND LEVER

To adjust seat height

RIGHT FRONT LEVER

To adjust seat front angle

FRONT KNOB

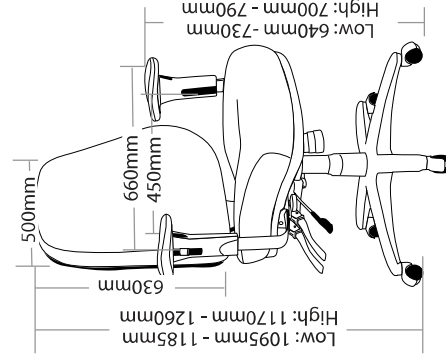
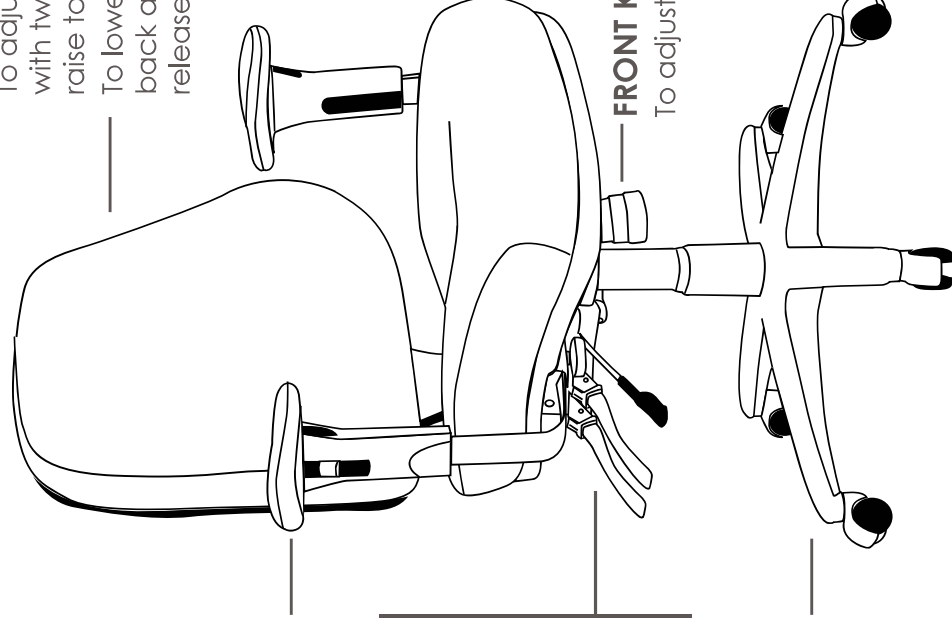
To adjust weight tension

700MM BLACK NYLON

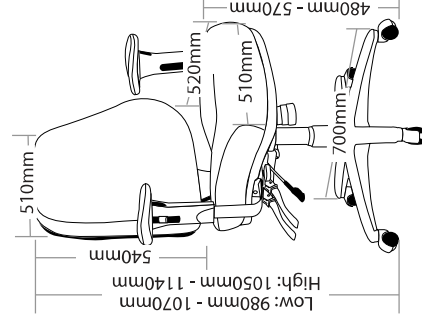
5 STAR BASE WITH CASTORS

Use soft tyred castors for tiles

Use hard tyred castors for carpet



LOGAN-H



LOGAN-L

LOGAN MULTI SHIFT SEATING



LOGAN-H



LOGAN-L



BACK VIEW

R4 MULTI SHIFT SEATING

OYSTER



FEATURES

- » Adjustable seat height
- » Adjustable back height (ratchet) (available in low back only)
- » Adjustable seat and back angle
- » Adjustable seat depth (seat slider)
- » Adjustable arms
- » Available in high, medium and low back
- » Moulded seat foam
- » Mesh back
- » 4 lever ergonomic mechanism
- » 700mm aluminium base
- » Available in black only
- » Minor assembly required
- » Suitable for indoor use only
- » 10 year warranty
- » Weight limit is 140kg

INDOOR USE ONLY

X Do not use as a step ladder

ADJUSTABLE ARMS

RIGHT BACK KNOB

To adjust seat depth (seat slider)

RIGHT BACK LEVER

To adjust back angle

RIGHT MIDDLE LEVER

To adjust seat angle

RIGHT FRONT LEVER

To adjust seat height

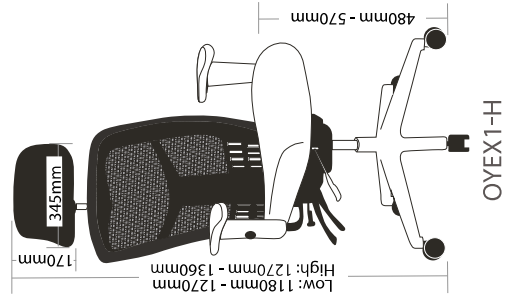
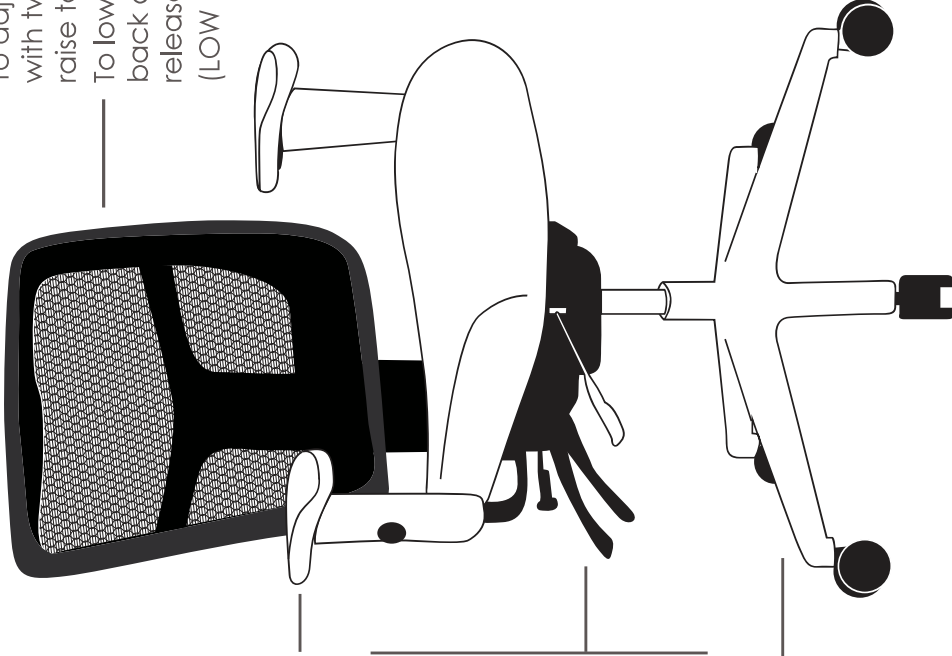
700MM ALUMINIUM 5 STAR

BASE WITH CASTORS

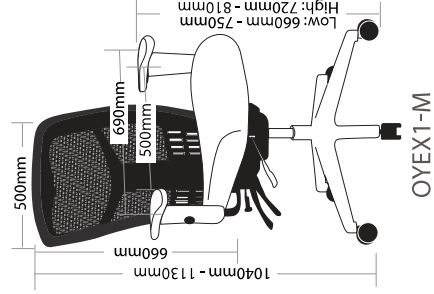
Use soft tyred castors for tiles

Use hard tyred castors for carpet

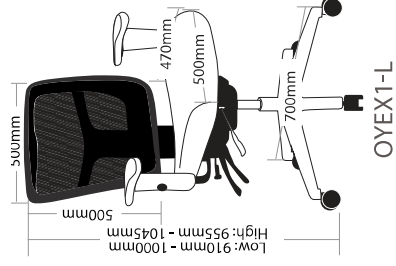
To adjust back height hold back with two hands while seated and raise to desired height
To lower the back height raise back all the way to the top and release slowly
(LOW BACK ONLY)



OYEX1-H



OYEX1-M



OYEX1-L

OYSTER MULTI SHIFT SEATING



OYEX1-H



OYEX1-M



OYEX1-L

** Please note that the Headrest should not be used to manoeuvre the chair.*

R4 MULTI SHIFT SEATING

ROVER



FEATURES

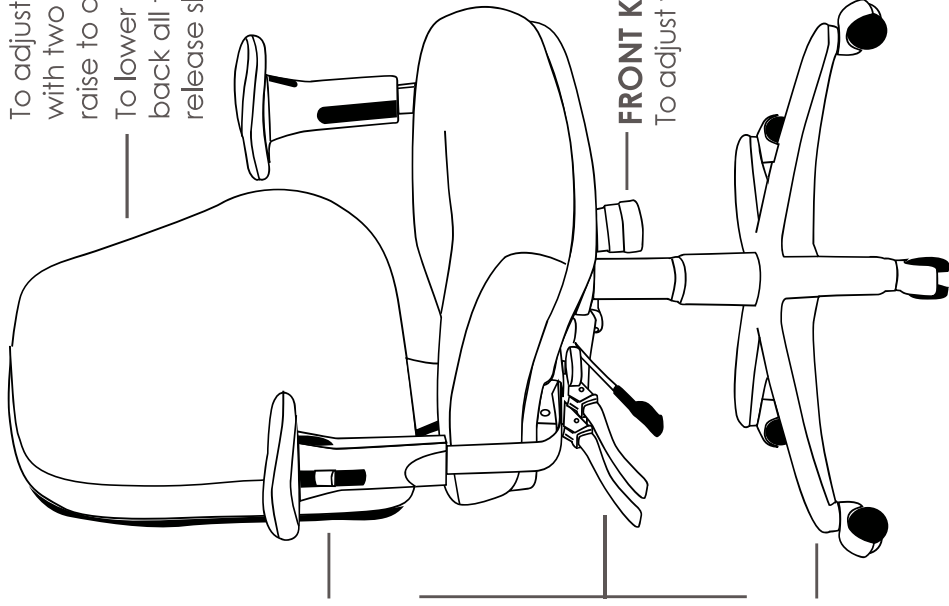
- » Adjustable seat height
- » Adjustable back height (ratchet)
- » Adjustable seat and back angle
- » Adjustable weight tension
- » Adjustable arms
- » Available in high and low back
- » Moulded seat and back foam
- » 4 lever ergonomic mechanism
- » 700mm black nylon base
- » Available in black leather only
- » Minor assembly required
- » Suitable for indoor use only
- » 10 year warranty
- » Weight limit is 140kg

INDOOR USE ONLY

X Do not use as a step ladder

To adjust back height hold back with two hands while seated and raise to desired height

To lower the back height raise back all the way to the top and release slowly



ADJUSTABLE ARMS

RIGHT FOURTH LEVER

To adjust back angle

RIGHT THIRD LEVER

To adjust seat angle

RIGHT SECOND LEVER

To adjust seat height

RIGHT FRONT LEVER

To adjust seat front angle

FRONT KNOB

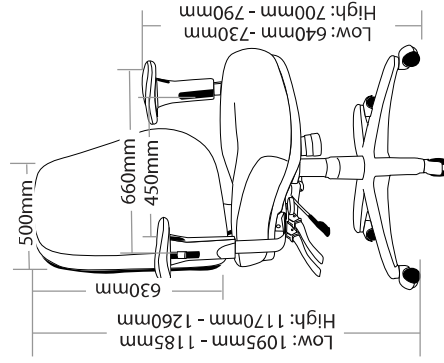
To adjust weight tension

700MM BLACK NYLON

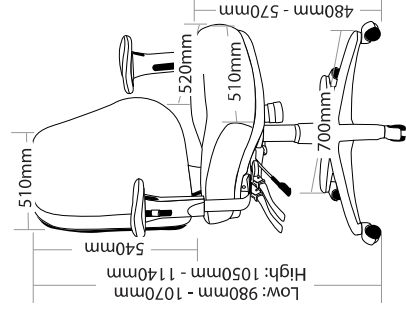
5 STAR BASE WITH CASTORS

Use soft tyred castors for tiles

Use hard tyred castors for carpet



ROVER-1HA



ROVER-1LA

ROVER MULTI SHIFT SEATING



ROVER-1HA



ROVER-1LA



BACK VIEW

R4 MULTI SHIFT SEATING

RANGER



AFRDI 142
Certification

AFRDI 142
160KG
MULTI SHIFT USE

»» FEATURES

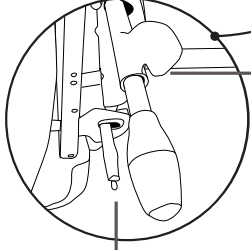
- » Adjustable seat height
- » Adjustable seat and back angle
- » Adjustable seat depth (seat slider)
- » Adjustable weight tension
- » Adjustable headrest
- » Adjustable arms
- » Moulded seat and back foam
- » Saddle seat
- » Double steel strengthened for both seat and back
- » Synchron mechanism with 3 locking positions
- » 720mm aluminium base
- » Available in black and grey only
- » AFRDI tested to level 6
- » AFRDI tested to multi shift use 160kg
- » Minor assembly required
- » Suitable for indoor use only
- » 7 year warranty
- » Weight limit is 160kg

INDOOR USE ONLY

X Do not use as a step ladder

INNER BACK LEVER

To adjust seat angle
(Forwards)



INNER RIGHT LEVER

To adjust seat height

ADJUSTABLE ARMS

LEFT KNOB

To adjust seat and back angle

INNER LEFT LEVER

To adjust seat depth (seat slider)

RIGHT KNOB

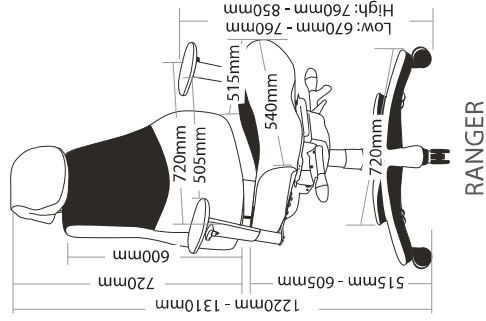
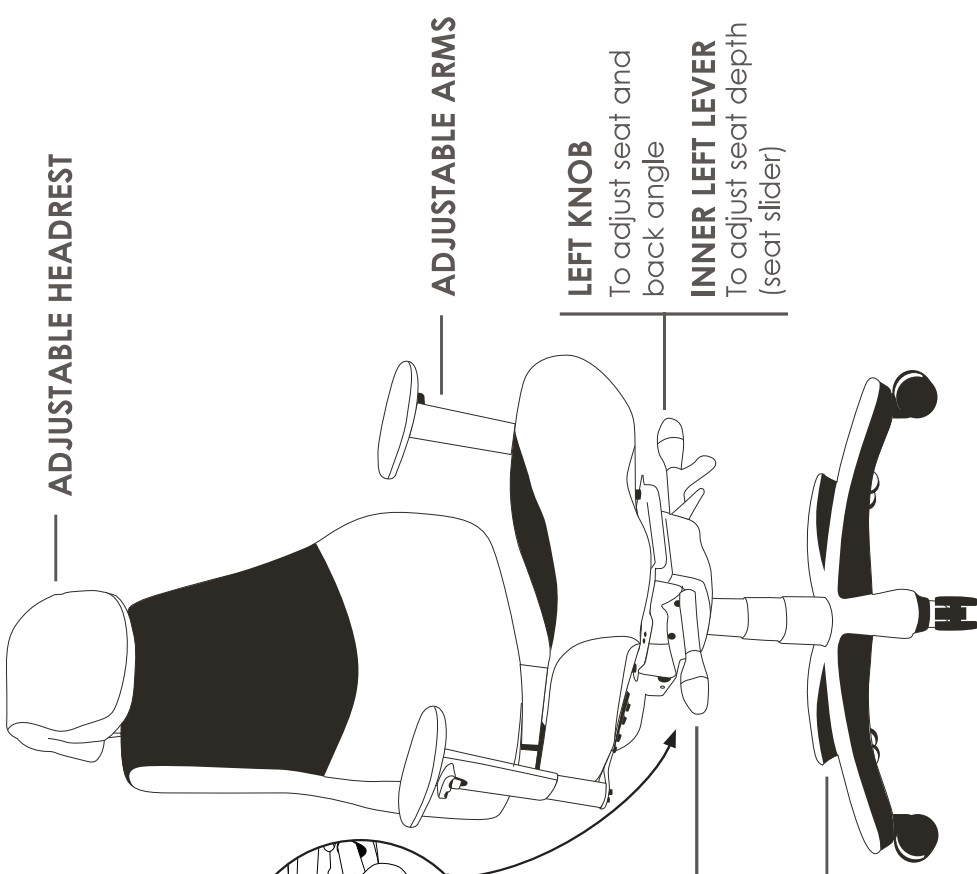
To adjust weight tension

720MM ALUMINIUM

5 STAR BASE WITH CASTORS

Use soft tyred castors for tiles

Use hard tyred castors for carpet



RANGER MULTI SHIFT SEATING



RANGER



BACK VIEW



SIDE VIEW

** Please note that the Headrest should not be used to manoeuvre the chair.*

R4 MULTI SHIFT SEATING

IMPACT



FEATURES

- » Adjustable seat height
- » Adjustable seat and back angle
- » Adjustable seat depth (seat slider)
- » Adjustable weight tension
- » Adjustable lumbar support
- » Optional headrest
- » Adjustable arms
- » Moulded seat and back foam
- » Saddle seat
- » Double steel strengthened for both seat and back
- » Synchron mechanism with 3 locking positions
- » 720mm aluminium base
- » Brake castors
- » AFRDI tested to level 6
- » Multi shift use 200kg
- » Available in black only
- » Minor assembly required
- » Suitable for indoor use only
- » 7 year warranty
- » Weight limit is 200kg

INDOOR USE ONLY

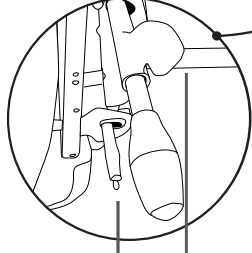
X Do not use as a step ladder

INNER BACK LEVER

To adjust seat angle (Forwards)

INNER RIGHT LEVER

To adjust seat height



ADJUSTABLE ARMS

LEFT KNOB

To adjust seat and back angle

INNER LEFT LEVER

To adjust seat depth (seat slider)

BACK KNOB

To adjust lumbar

RIGHT KNOB

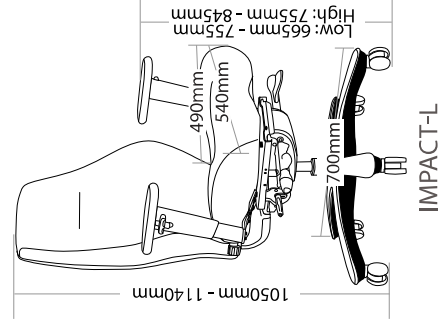
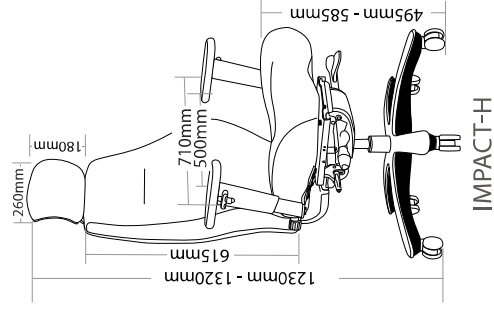
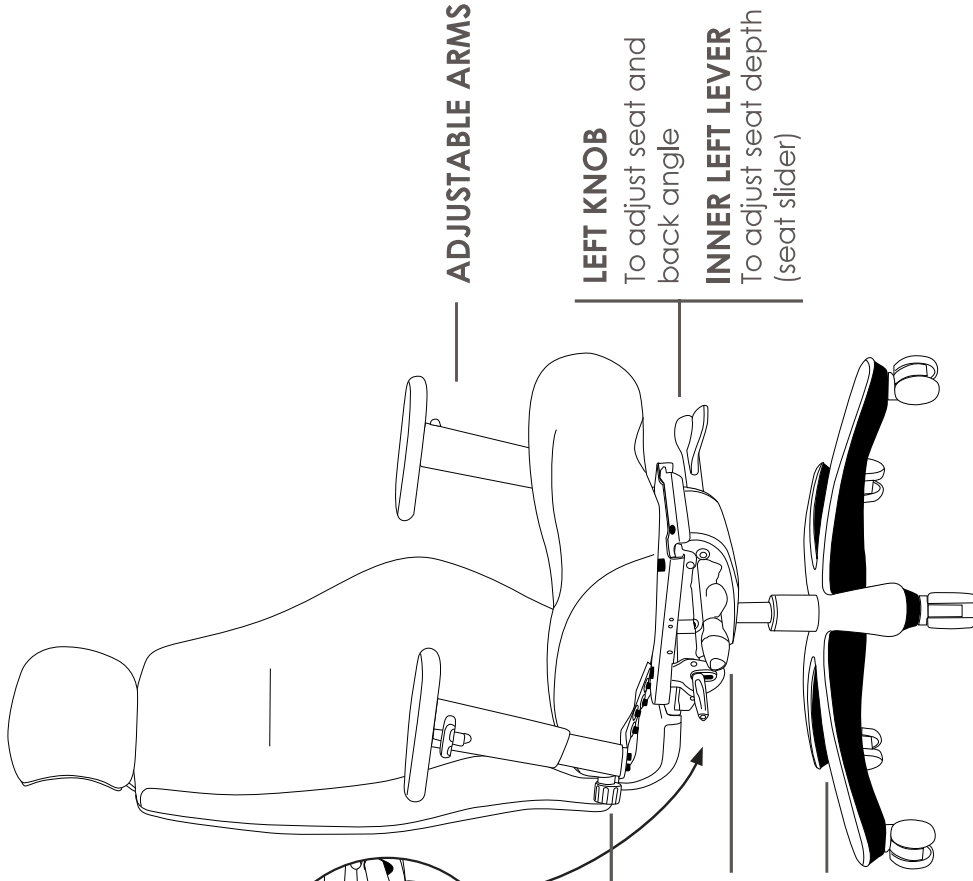
To adjust weight tension

720MM ALUMINIUM

5 STAR BASE WITH BRAKE CASTORS

Use soft tyred castors for tiles

Use hard tyred castors for carpet



IMPACT MULTI SHIFT SEATING



IMPACT-H



IMPACT-L



BACK VIEW

* Please note that the Headrest should not be used to manoeuvre the chair.