





Warranty period for chairs and lounges



Weight rating for individual chairs and lounges*



Fully imported Chairs, lounges, parts and components.



The Performance criteria adopted for certification by Furntech is based on Australian standards, e.g. Level 6 - Severe commercial and heavy industrial.*

**Weight limits are self-rated by Style Ergonomic Australia. AFRDI approved chairs are normally rated to 110kg.*

AFRDI 142
Certification

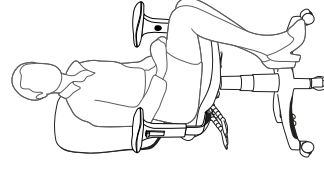
AFRDI 142
ARFDI rating for multi shift use
and 160kg weight limit.



Furntech is an independent not-for-profit technical organisation providing standards, testing product certification and research for buyers and sellers of furniture.



BIFMA is a third-party certification program that provides manufacturers with valuable feedback for evaluating the environmental, human, and social impacts of their furniture products for manufacturing, facility, and organisation.



All instructions of use are instructed while sitting in the chair.

R3 BOARDROOM SEATING

CAPRI

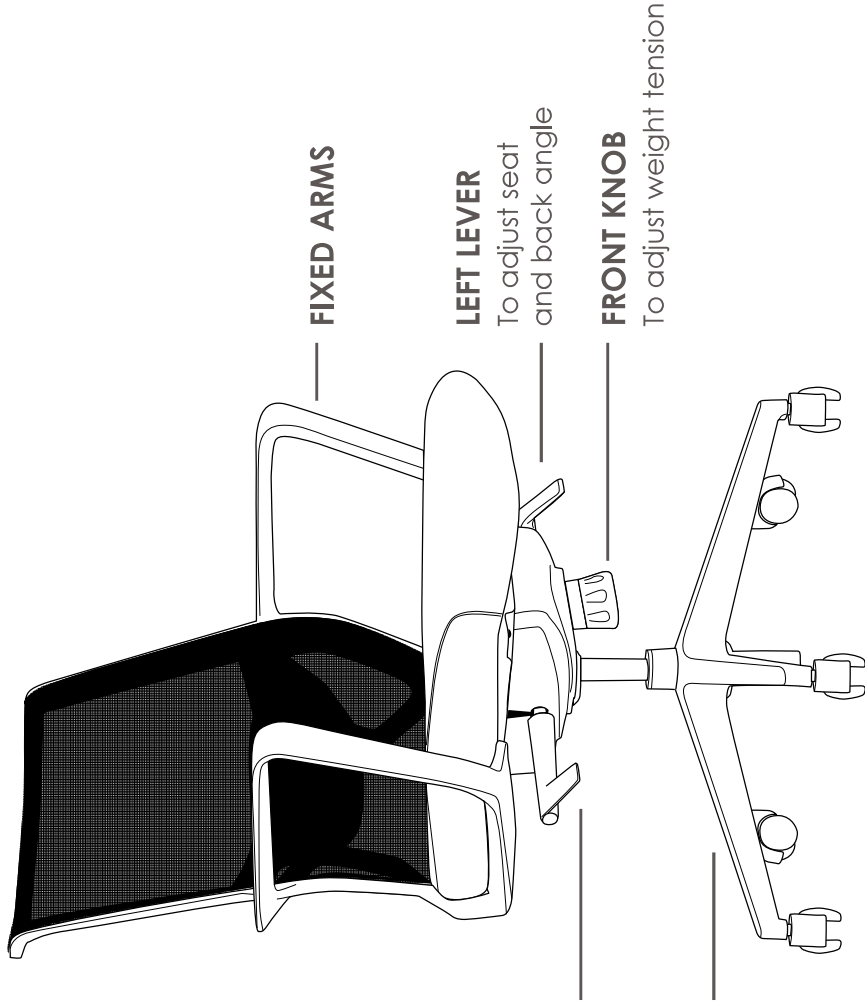


FEATURES

- » Adjustable seat height
- » Adjustable seat and back angle
- » Adjustable weight tension
- » Fixed arms
- » Mesh back
- » Knee tilt mechanism with 3 locking positions
- » 680mm black nylon 5 star base
- » Available in black only
- » Minor assembly required
- » Suitable for indoor use only
- » 3 year warranty
- » Weight limit is 120kg

INDOOR USE ONLY

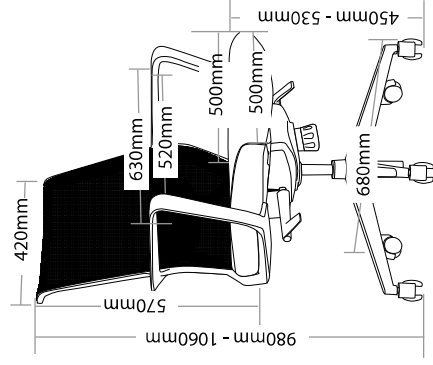
X Do not use as a step ladder



RIGHT LEVER
To adjust seat height

680MM BLACK NYLON 5 STAR BASE WITH CASTORS

Use soft tyred castors for tiles
Use hard tyred castors for carpet



CAPRI

CAPRI BOARDROOM SEATING



CAPRI



BACK VIEW



SIDE VIEW

R3 BOARDROOM SEATING

GALA

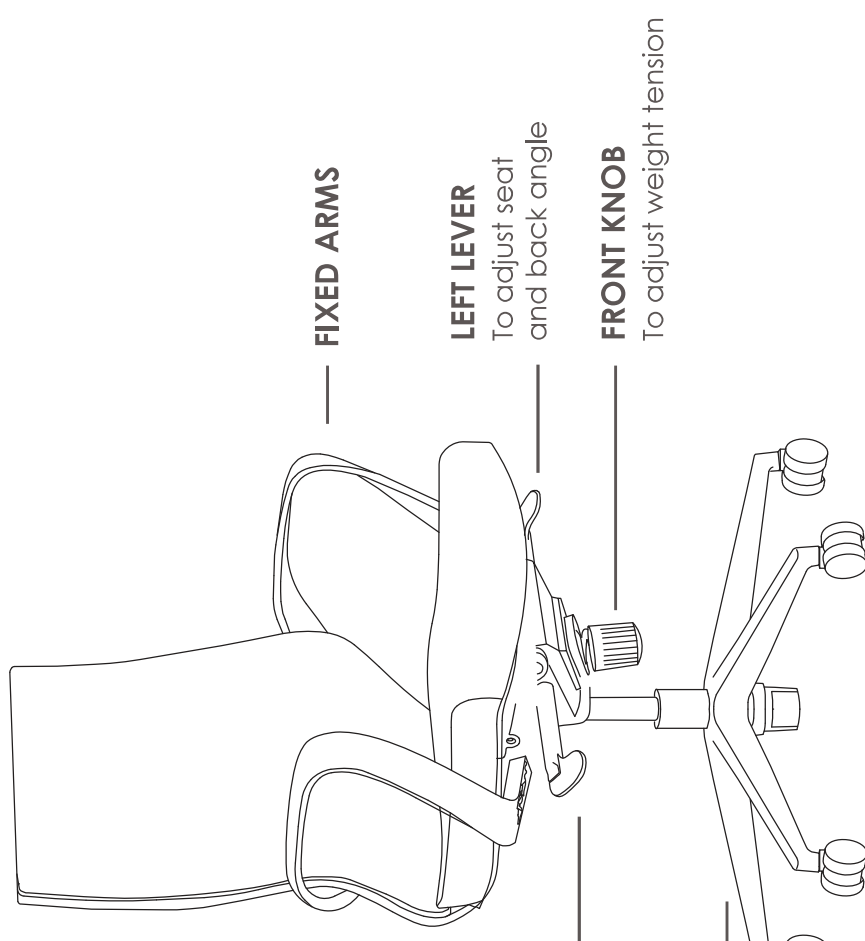


FEATURES

- » Adjustable seat height
- » Adjustable seat and back angle
- » Adjustable weight tension
- » Fixed arms
- » Mesh black
- » Knee tilt mechanism with 3 locking positions
- » 660mm black nylon base
- » Available in black only
- » Minor assembly required
- » Suitable for indoor use only
- » 5 year warranty
- » Weight limit is 120kg

INDOOR USE ONLY

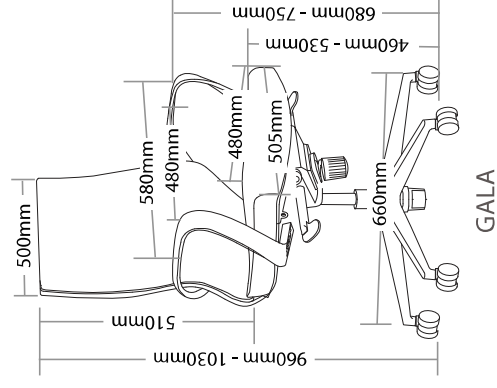
X Do not use as a step ladder



RIGHT LEVER
To adjust seat height

660MM BLACK NYLON 5 STAR BASE WITH CASTORS

Use soft tyred castors for tiles
Use hard tyred castors for carpet



GALA BOARDROOM SEATING



GALA



BACK VIEW



SIDE VIEW

R3 BOARDROOM SEATING

CHEVY

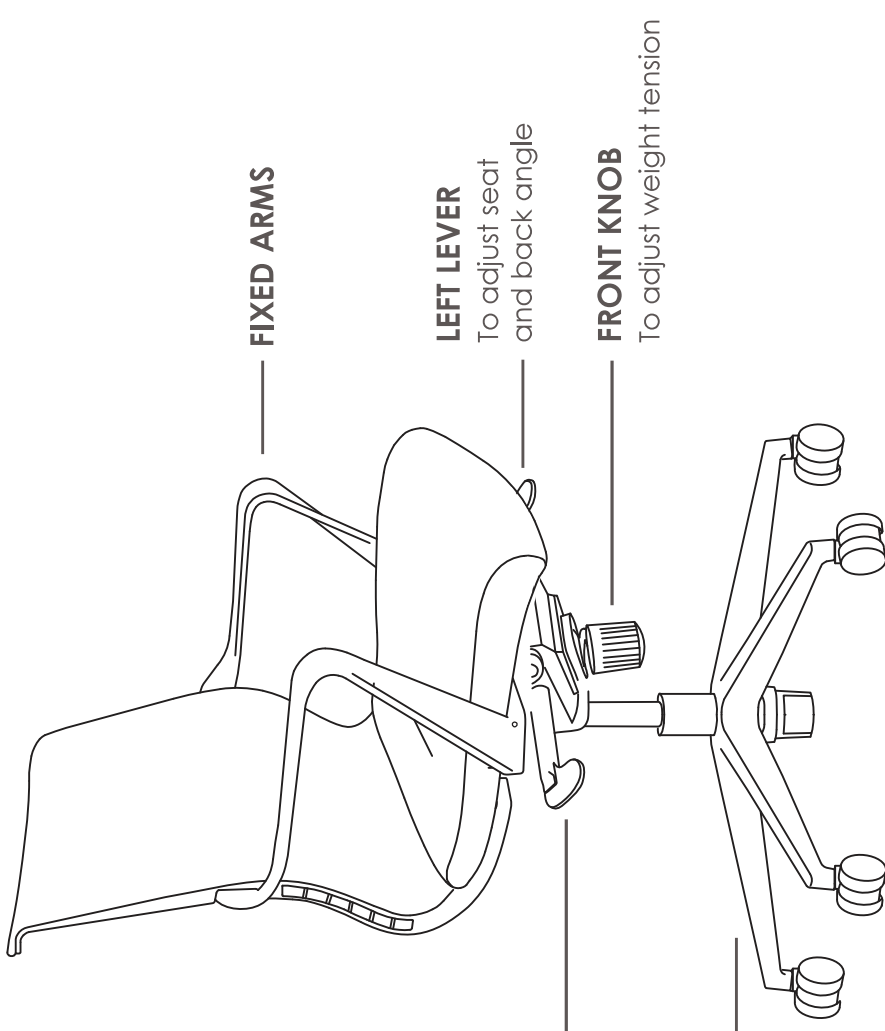


FEATURES

- » Adjustable seat height
- » Adjustable seat and back angle
- » Adjustable weight tension
- » Fixed arms
- » Mesh back
- » Knee tilt mechanism with 3 locking positions
- » 700mm black nylon base
- » Available in black only
- » Minor assembly required
- » Suitable for indoor use only
- » 5 year warranty
- » Weight limit is 120kg

INDOOR USE ONLY

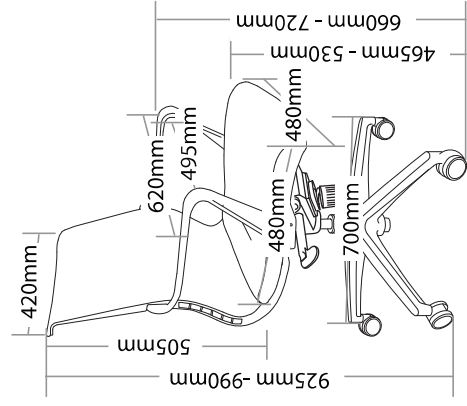
X Do not use as a step ladder



RIGHT LEVER
To adjust seat height

700MM BLACK NYLON 5 STAR BASE WITH CASTORS

Use soft tyred castors for tiles
Use hard tyred castors for carpet



CHEVY

CHEVY BOARDROOM SEATING



CHEVY



BACKVIEW



SIDE VIEW

R3 BOARDROOM SEATING

WEB



FEATURES

- » Adjustable seat height
- » Adjustable seat and back angle
- » Adjustable weight tension
- » Fixed chrome arms
- » Knee tilt mechanism with 3 locking positions
- » 700mm aluminium base
- » Available in black PU only
- » Minor assembly required
- » Suitable for indoor use only
- » 5 year warranty
- » Weight limit is 120kg

INDOOR USE ONLY

X Do not use as a step ladder

FIXED CHROME ARMS

RIGHT LEVER

To adjust seat height

LEFT LEVER

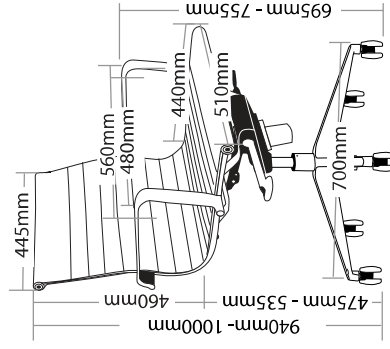
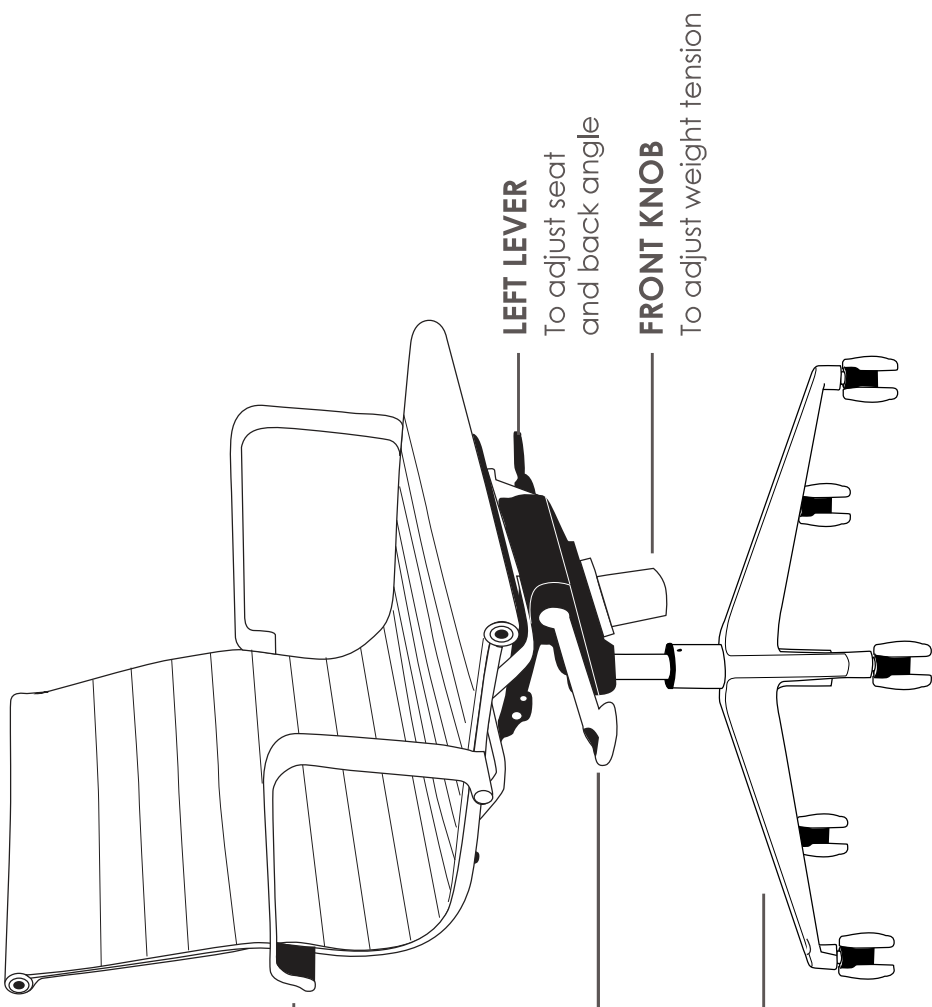
To adjust seat and back angle

FRONT KNOB

To adjust weight tension

700MM ALUMINIUM 5 STAR BASE WITH CASTORS

Use soft tyred castors for tiles
Use hard tyred castors for carpet



WEB-LB

WEB BOARDROOM SEATING



WEB-LB



SIDE VIEW



BACK VIEW

R3 BOARDROOM SEATING

VOLT



FEATURES

- » Adjustable seat height
- » Adjustable seat and back angle
- » Adjustable weight tension
- » Fixed arms
- » Knee tilt mechanism with 3 locking positions
- » 660mm heavy duty black aluminium base
- » Black powder coated frame
- » Available in black mesh, terracotta PU, tan PU and black PU
- » Minor assembly required
- » Suitable for indoor use only
- » 5 year warranty
- » Weight limit is 130kg

COLOUR



ME-Mesh



TE-Terracotta



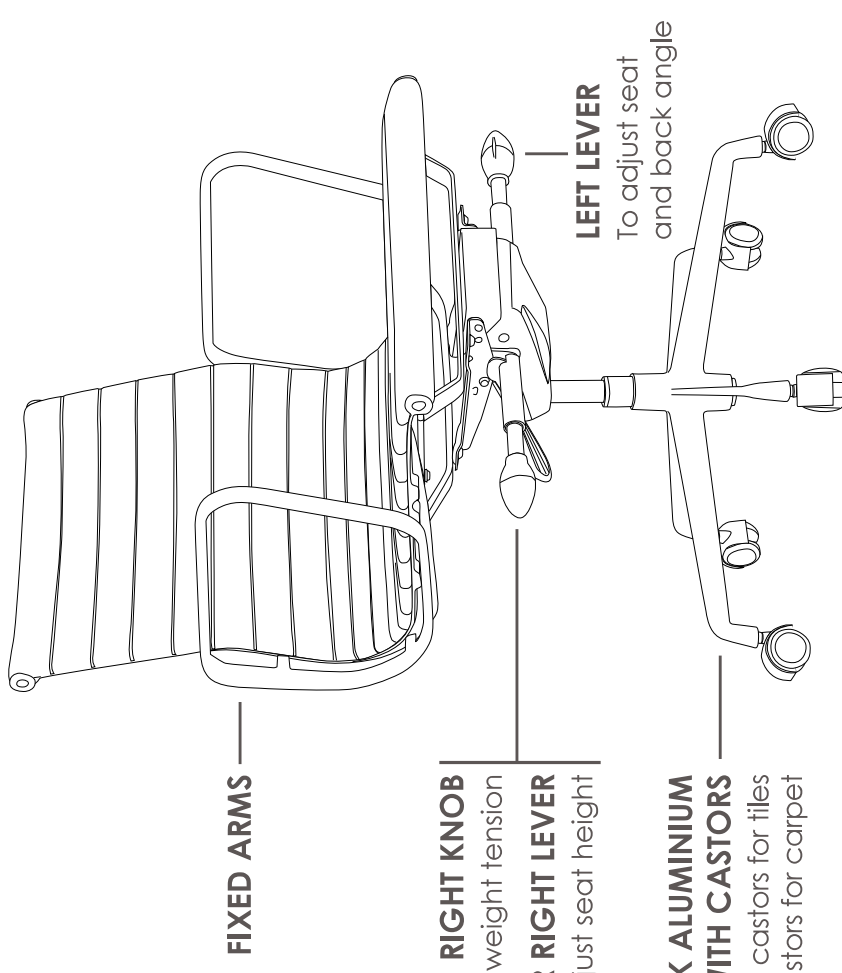
TA-TAN



BL-Black

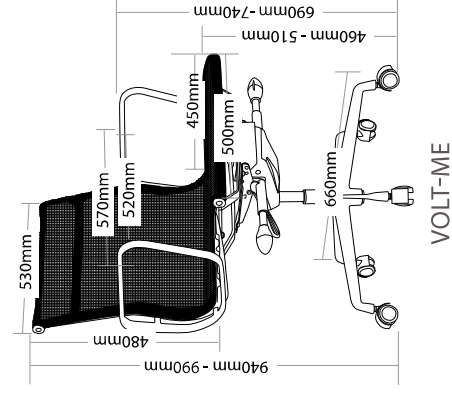
INDOOR USE ONLY

X Do not use as a step ladder

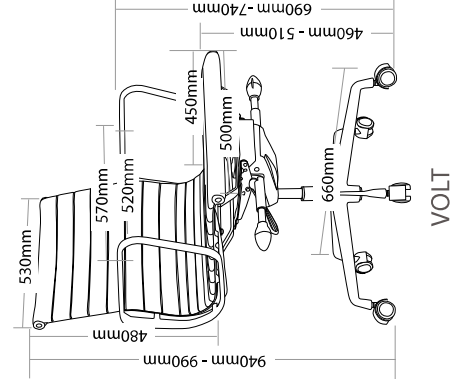


660MM HEAVY DUTY BLACK ALUMINIUM 5 STAR BASE WITH CASTORS

Use soft tyred castors for tiles
Use hard tyred castors for carpet



VOLT-ME



VOLT

VOLT BOARDROOM SEATING



VOLT-ME



VOLT-TE



VOLT-TA



VOLT-BL