

**Ergovida**

[www.Ergovida.com.au](http://www.Ergovida.com.au)

Proudly Distributed in Australia by Canohm

**CANOHM**

4/30 Prohasky Street  
Port Melbourne, Victoria  
3207 Australia

Phone: 1800 636 026  
E-mail: [sales@canohm.com.au](mailto:sales@canohm.com.au)  
ABN 57 004 817 949



Twitter  
[@Canohm\\_Aus](https://twitter.com/Canohm_Aus)



Facebook  
Ergovida Australia



Instagram  
Ergovida Australia



You Tube  
Canohm

Ergovida | 2022/2023 ERGONOMIC HOME & OFFICE SOLUTIONS



[www.Ergovida.com.au](http://www.Ergovida.com.au)

**Ergovida**  
**ERGONOMIC**  
**HOME & OFFICE SOLUTIONS**

2023



## CANOHM

Established in 1963, Canohm is an importer and distributor of consumer electronics, ergonomic furniture and custom integration solutions.

We pride ourselves on sourcing and distributing a wide range of high-quality home entertainment products including A/V mounting solutions, analogue and digital radios, and interactive flat display panels from around the world. Canohm is the sole appointed Australian distributor for Vogel's (The Netherlands), Sangean (Taiwan), Minix (Hong Kong), Amina (England) and Future Automation (England) in addition to our home brands, Ergovida and EZYmount (Australia/China).

To support the fine brands and products we represent, we offer our valued customers and end-users the highest possible levels of technical support, product guidance, and after-sales service second to none in this industry. Our trained team of experts go out of their way to ensure the best possible customer experience. We have a nationwide team of sales representatives and are proud to support our customers across Australia.

Canohm pursues the highest levels of professionalism at all times and in all areas of the business. Canohm's products comply with all Government and Regulatory standards.

Discover the Canohm difference today. Great products and even better people.



## Ergovida

The **Ergovida** range of desks, chairs and accessories is the perfect solution to furnish your work and home environment with ergonomic furniture that supports your back and posture whilst you work, study and play.

With many of us spending each day sitting in front of a desk, Ergovida addresses the ergonomic needs of your back, neck, arms and legs. This fun and functional furniture range are simple and durable, whilst helping to prevent postural damage, backache and headache.

The many design features include tiltable desktops, height adjustment for desks and chairs and winged backrests on chairs for general well-being.

**Choose Ergovida furniture to get on with your day - in a healthy way!**







## ERGONOMIC PRODUCT TABLE OF **CONTENTS**

**01 DESK FRAMES**  
Electric Multi-Motor Sit-Stand Desks  
Compact Electric Single-Motor Sit-Stand Desks  
Urban Modern Dual-Motor Sit-Stand Desk  
Fixed Height Desk Frame

**22 MONITOR ARMS**  
Premium Aluminium Gas Spring Monitor Arms  
Slim Aluminium Mechanical Spring Monitor Arms  
Aluminium Articulating Monitor Arms  
Premium Slim Aluminium Spring-Assisted Monitor Arms

**33 ERGONOMIC ACCESSORIES**  
Active Stool  
Office Comfort

**13 WORKSTATIONS**  
Gas Spring Scissor Lift Sit-Stand Desk  
Converters  
Electric Sit-Stand Workstations  
Electric Sit-Stand Desk Converters with  
Keyboard Tray  
Ultra-Slim Sit-Stand Desk Converters  
Multi-Purpose Mobile Workstations

**31 MONITOR RISERS**  
Tempered Glass Surface Smart Stands  
Tempered Glass Monitor Risers



# Electric Multi-Motor Sit-Stand Desks







## ELECTRIC MULTI-MOTOR SIT-STAND DESKS

### CONTROL

#### Memory Control Panel



-  Up & Down Movement
-  3 Memory Settings
-  Timer
-  CM/INCH Conversion

### OVERLOAD PROTECTION

Automatic shut-down if desktop weight has reached maximum capacity. Prevents damage and ensures longevity.



### OPTIONAL DESKTOPS

Material, Colours, Shape and Dimension are customizable.



#### Particle Board

-  White
-  Light wood
-  Oak
-  Walnut



Rectangle



L-Shape  
90°



Corner Shape  
120°



EED-6 Series

# Electric Multi-Motor Sit-Stand Desks

The EED-6 Series is a high-performance adjustable frame that combines durability and technology. Laboratory tested to 23,000 cycles with a loaded weight of 125kg for a smooth and quiet height adjustments.



### Proprietary Gyro-Current Collision Avoidance System

Improved sensing technology for better detection of soft and hard objects in the movement path.



### User Programmable Height Range

Customise the upper and lower height settings to accommodate objects around you, such as under desk cabinets or storage units.



### Easy-Assembly

Advanced frame design reduces set-up time while providing long-term stability for confident daily use.

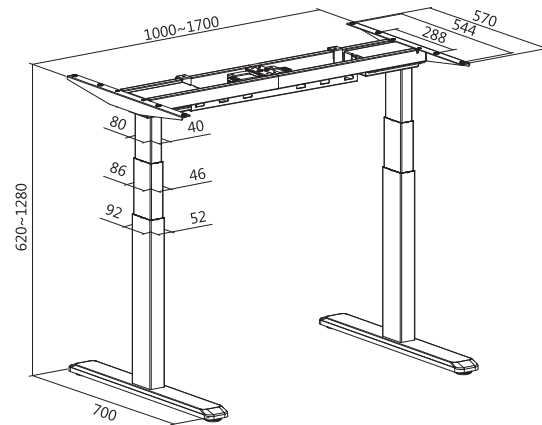
# ELECTRIC MULTI-MOTOR SIT-STAND DESKS

## EED-6 SERIES

Note: Dimensions in the line drawings are mm.

### EED-623D Standard

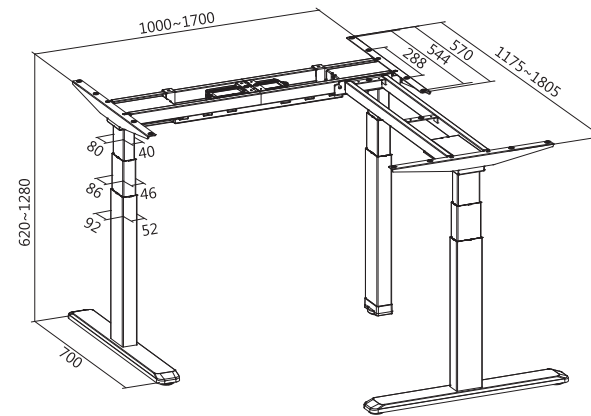
Rectangular Column  Dual Motor  3-Stage



Colours:

### EED-633D Standard

Rectangular Column  Triple Motor  3-Stage



Colours:

Item No.	EED-623D	EED-633D
Width Range	1000-1700mm	1000-1700mm & 1175-1805mm
Height Range	620-1280mm	620-1280mm
Weight Capacity	125kg	150kg
Control Type	Touch	Touch
Max. Speed	38mm/s	38mm/s
Decibel	<50dB	<50dB
Power Input	100-240V	110/230V
Colour Options	Black, white or grey	Black, white or grey

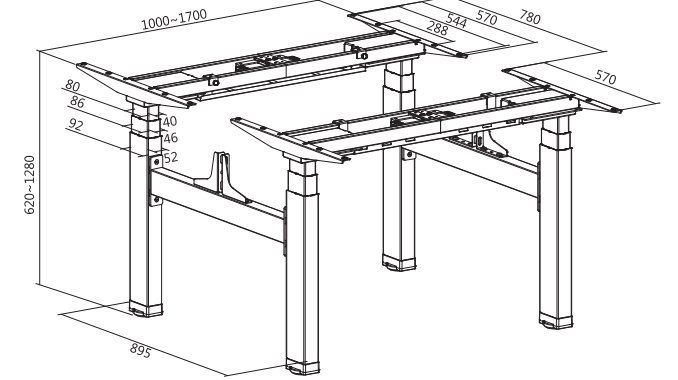
# ELECTRIC MULTI-MOTOR SIT-STAND DESKS

## EED-6 SERIES

Note: Dimensions in the line drawings are mm.

### EED-643D

Rectangular Column  Quad Motor  3-Stage



Colours:

Item No.	EED-643D
Width Range	1000-1700mm
Height Range	620-1280mm
Weight Capacity	125kgx2
Control Type	Touch
Max. Speed	38mm/s
Decibel	<50dB
Power Input	100-240V
Colour Options	Black, white or grey





EED-8 Series  
Compact Electric Single-Motor  
**Sit-Stand Desks**

Commercial quality at affordable price

COMPACT ELECTRIC SINGLE-MOTOR SIT-STAND DESKS

EED-8 SERIES



**1**  
**Powerful Lifting Columns**  
Quiet and smooth movement  
with high speed



**2**  
**Strong Reliable Motor**  
For stable and smooth transitions

**3** **Advanced Memory Controller**

**Up & Down Movement**

**Timer**

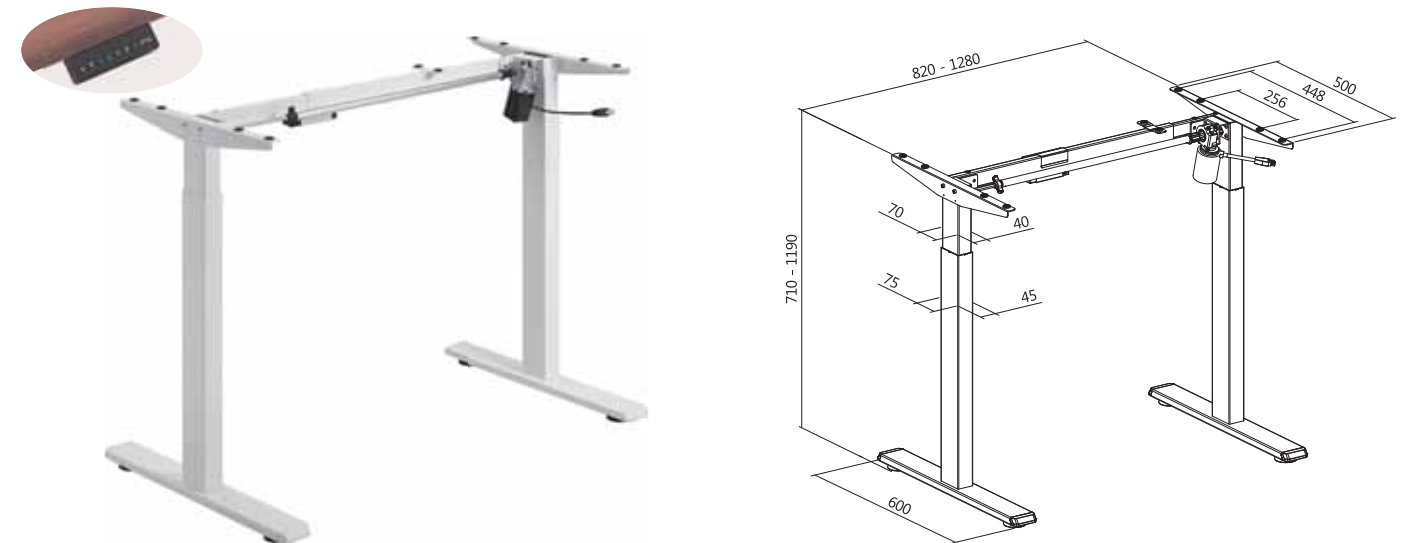
**3 Memory Settings**

**CM/INCH Conversion**

Note: Dimensions in the line drawings are mm.

**EED-822D**

Standard Column  2-Stage



Colours:

Item No.	EED-822D
Width Range	820-1280mm
Height Range	710-1190mm
Weight Capacity	80kg
Max. Speed	25mm/s
Colour Options	Black or white

EED-023D

# Urban Modern Dual-Motor Sit-Stand Desk

## Born Elegant

- Stylish Round Columns and Stable Design
- Innovative Control Panel with 2 Colour Options

# URBAN MODERN DUAL-MOTOR SIT-STAND DESK

EED-023D

## Innovative Control Panel

- 2 Memory Settings
- Time Reminder
- CM/INCH Conversion
- User Programmable Height Range
- Adjustable Collision Sensitivity
- Child Safety Lock

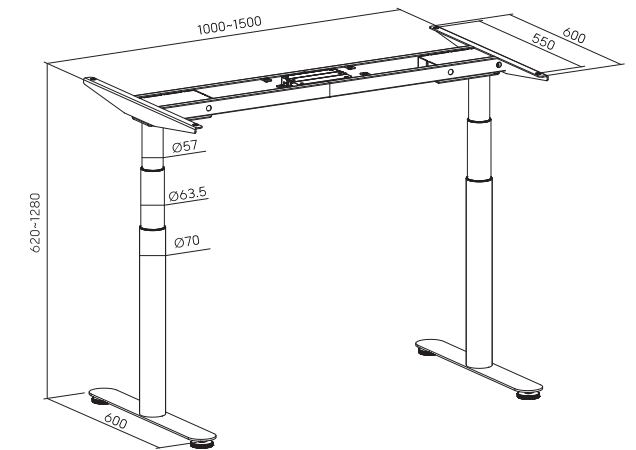


**Silicone Buttons**  
for soft touch and responsive control

Note: Dimensions in the line drawings are mm.

**EED-023D** With Control Panel

Round Columns  3-Stage



Desk Frame Colours:

Control Panel Colours:

Item No.	EED-023D
Max. Speed	36mm/s
Height Range	620-1280mm
Width Range	1000-1500mm
Weight Capacity	125kg
Control Type	Button Control Panel
Decibel	<50dB
Power Input	100-240V
Desk Frame Colour Options	Black, white or grey
Control Panel Colour Options	Black or white



EFD-622

## Fixed Height Desk Frame

Fully customizable to most working areas or rooms. The ample width adjustment fits for the desktops with the width from 1000-1700mm.



## FIXED HEIGHT DESK FRAME

EFD-622



**Width Adjustable**  
fits more desktop sizes



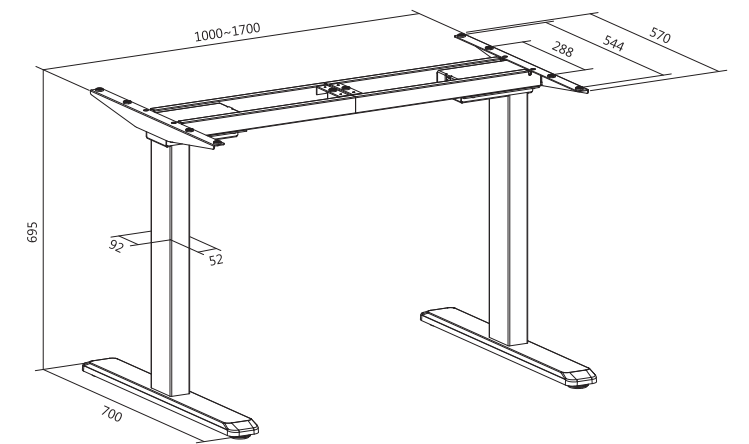
125kg

**Large Weight Capacity**  
for strength and stability

**Robotically Welded Frame**  
for longer life and consistent quality

**Leveling Feet**  
adapts to most any floor surface

Note: Dimensions in the line drawings are mm.



Colours:   

Item No.	EED-023D
Dimensions	1000-1700mmx700mmx695mm
Width Range	1000-1700mm
Weight Capacity	125kg
Column Size	52x92mm
Colour Options	Black, white or grey

EDT-S28 SERIES

## Gas Spring Scissor Lift Sit-Stand Desk Converters



## GAS SPRING SCISSOR LIFT SIT-STAND DESK CONVERTERS

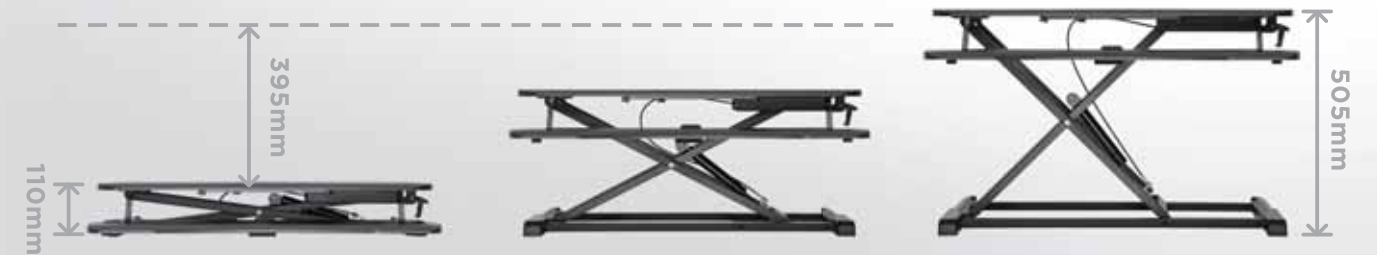
EDT-S28 SERIES

### A Sleek design combined with strong holding power

EDT-S28 Series will turn any workspace into an active, healthy, height adjustable sit-stand desk. With EDT-S28 Series, you can increase movement, gain energy, and become more productive by adopting new active work habits.



### Smooth Gas Spring Height Adjustment accommodates most users



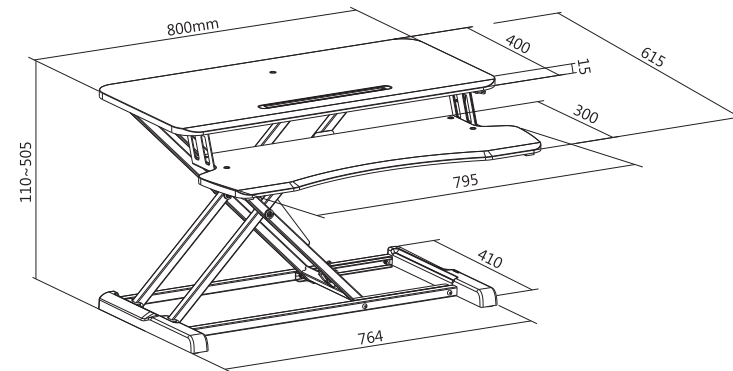


## GAS SPRING SCISSOR LIFT SIT-STAND DESK CONVERTERS

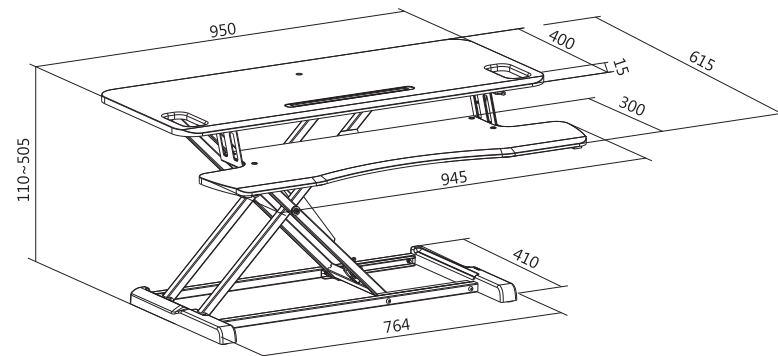
### EDT-S28 SERIES

Note: Dimensions in the line drawings are mm.

#### EDT-S28.1N Compact Surface with Deluxe Desktop



#### EDT-S28.2N Standard Surface with Deluxe Desktop



Item No.	EDT-S28.1N	EDT-S28.2N
Worksurface Material	MDF & PVC	MDF & PVC
Product Dimensions	800x615x110-505mm	950x615x110-505mm
Worksurface Size	800x400mm	950x400mm
Tabletop Thickness	15mm	15mm
Height Range	110-505mm	110-505mm
Worksurface Weight Capacity	15kg	15kg
Keyboard Weight Capacity	2kg	2kg

## ELECTRIC SIT-STAND WORKSTATIONS

### EDT10 SERIES

## ELECTRIC SIT-STAND WORKSTATIONS

EDT10 Series is our first power adjustable hybrid solution for existing desks. You'll enjoy the same experience as electric standing desk but with lower price, no more replacement of furniture while optimizing office ergonomics.



Colours:

\*The screen size we suggest is for most monitors & laptops in the range.

Item No.	EDT10-T01	EDT10-T02
Worksurface Height Range		35-535mm
Worksurface Dimensions		720x480mm
Height Range		710-1210mm
Weight Capacity		20kg
Suggested Screen Size*		13"-32"
VESA Compatible		75x75 100x100
Tilt Range		+45° - -45°
Swivel Range		+30° - -30°
Screen Rotation		360°
Power Input		100V-240V
Maximum Speed		25mm/s
Cable Management		✓
Colour Options		Black or white

EDT-S15 Series

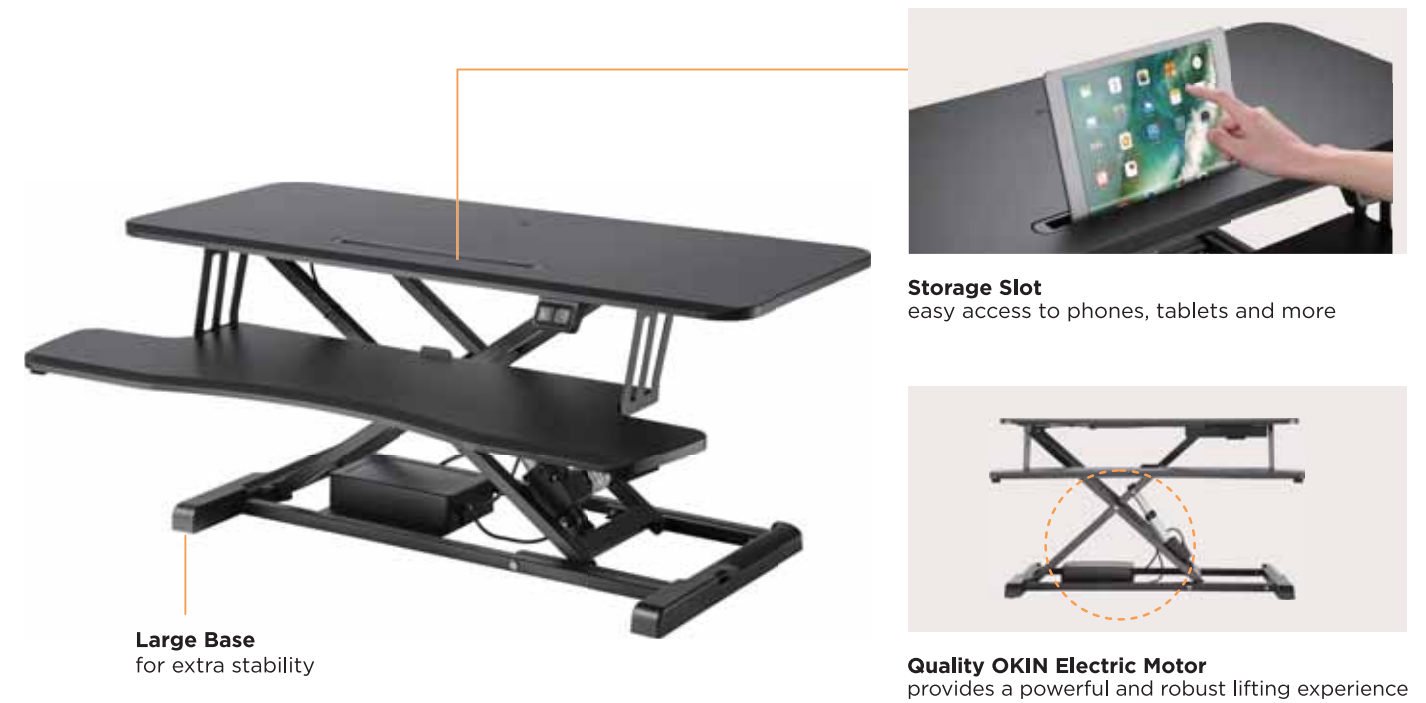
## Electric Sit-Stand Desk Converters with Keyboard Tray

There is no better choice than the EDT-S15 Series when it comes to effortless transition between sitting and standing - with only a touch of the button. It can be placed on any worksurface, turning your normal desk into an ergonomic sit-stand desk.



## ELECTRIC SIT-STAND DESK CONVERTERS WITH KEYBOARD TRAY

EDT-S15 SERIES



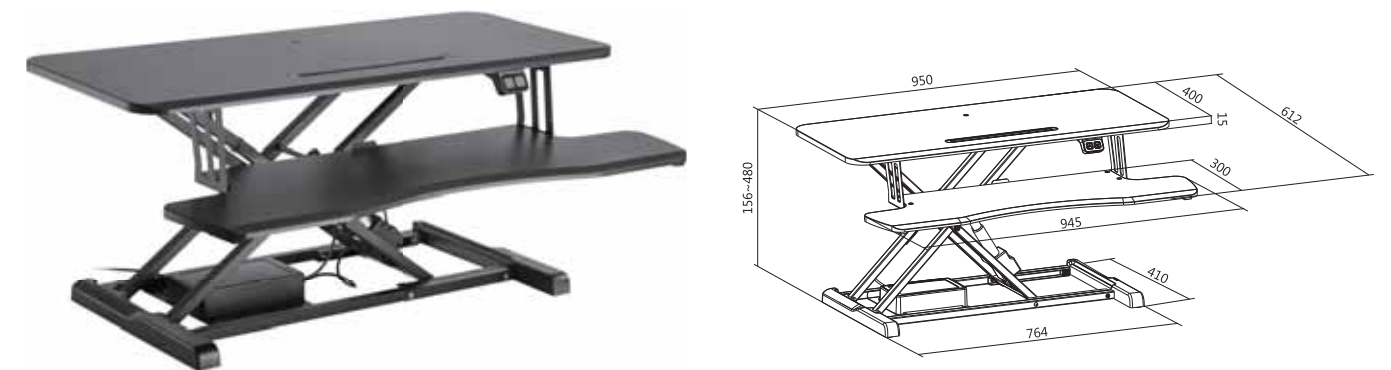
**Storage Slot**  
easy access to phones, tablets and more

**Large Base**  
for extra stability

**Quality OKIN Electric Motor**  
provides a powerful and robust lifting experience

Note: Dimensions in the line drawings are mm.

### EDT-S15.2 Standard Surface



CE

Item No.	EDT-S15.2
Worksurface Size(LxW)	950x400mm
Worksurface Thickness	15mm
Worksurface Weight Capacity	20kg
Height Range	156-480mm
Power Input	100-240V
Material	MDF & PVC, Steel



EDT-S07.1 / EDT-S08.1 / EDT-LWS.1

# Ultra-Slim Sit-Stand Desk Converters

Not only is this series ultra-slim, it blends into your desktop with its minimalistic design. These sit-stand desk converters are the next evolutionary step in sit-stand desktop workstations. Extremely thin and sleek it virtually melts into the desk.



Height adjustment up to 400mm

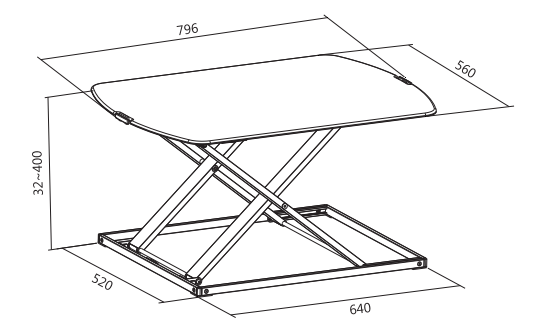
32mm  
So thin it blends into the desktop

## ULTRA-SLIM SIT-STAND DESK CONVERTERS

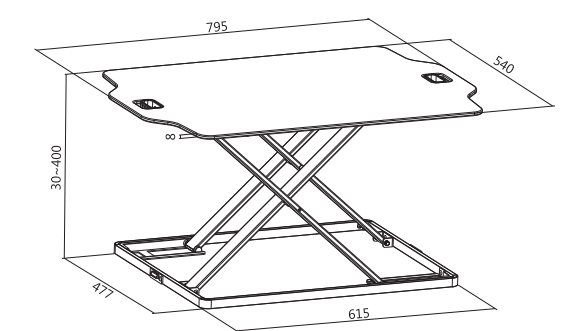
EDT-S07.1 / EDT-S08.1 / EDT-LWS.1

Note: Dimensions in the line drawings are mm.

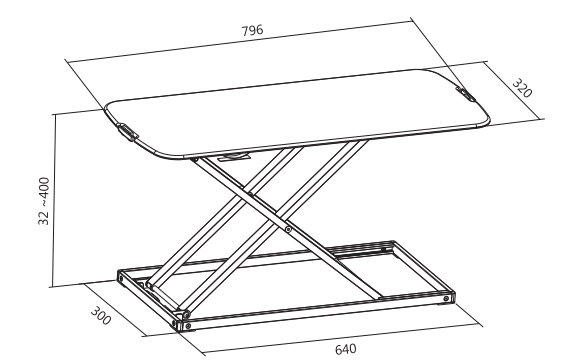
**EDT-S07.1** Compact Board Surface



**EDT-S08.1** Compact Board Surface



**EDT-LWS.1** Compact Board Surface / For Laptop Only



Item No.	EDT-S07.1	EDT-S08.1	EDT-LWS.1
Worksurface Size(LxW)	796x560mm	796x560mm	796x320mm
Worksurface Thickness	8mm	15mm	8mm
Worksurface Weight Capacity	10kg	10kg	6kg
Height Range	32-400mm	44-406mm	32-400mm
Material	Compact Board, Aluminium	MDF & PVC, Steel	Compact Board, Aluminium

## MULTI-PURPOSE MOBILE WORKSTATIONS

### EMC-01 SERIES

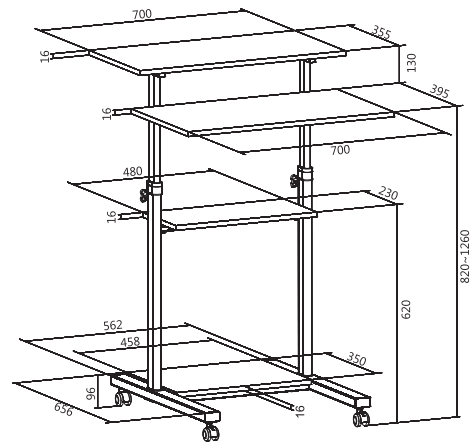


↑ EMC-01

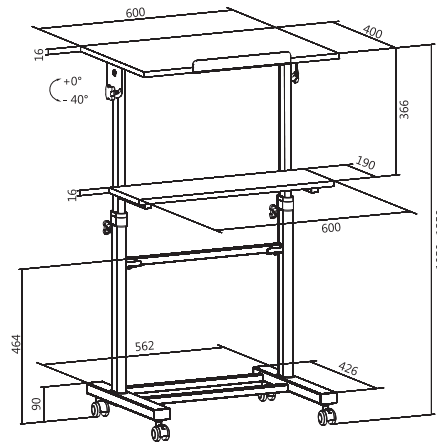
↑ EMC-01A

Note: Dimensions in the line drawings are mm.

EMC-01 3-Tier Shelf



EMC-01A 2-Tier Shelf



Item No.	EMC-01	EMC-01A
Worksurface Size(LxW)	700x355mm	600x400mm
Worksurface Thickness	16mm	16mm
Worksurface Weight Capacity	60kg	40kg
Tilt Range	N/A	0°-40°
Height Range	820-1260mm	1050-1270mm
Material	Particle Board & Melamine, Steel	Particle Board & Melamine, Steel

### EMA34 Series

## Premium Aluminium Gas Spring Monitor Arms

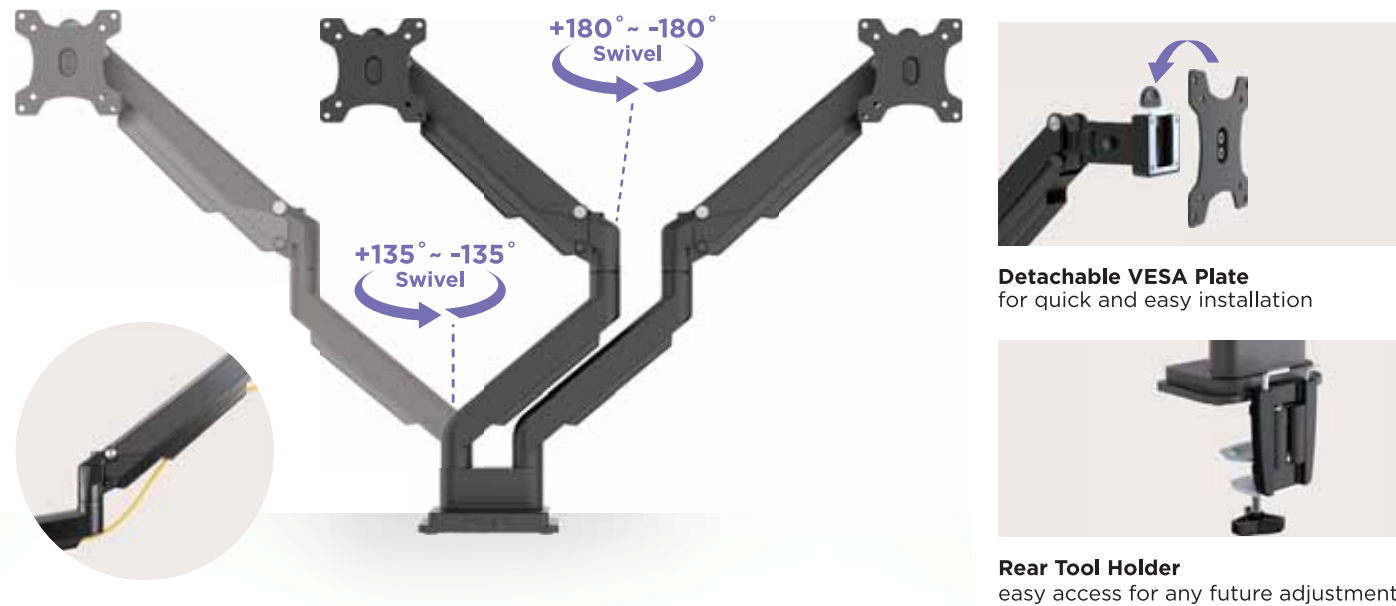
Designed with a compact V shape, the sleek arms of the EMA34 Series release space and free you from desktop chaos. It improves work productivity by supporting side-by-side monitors, allowing for easy and personalized adjustments.





# PREMIUM ALUMINIUM GAS SPRING MONITOR ARMS

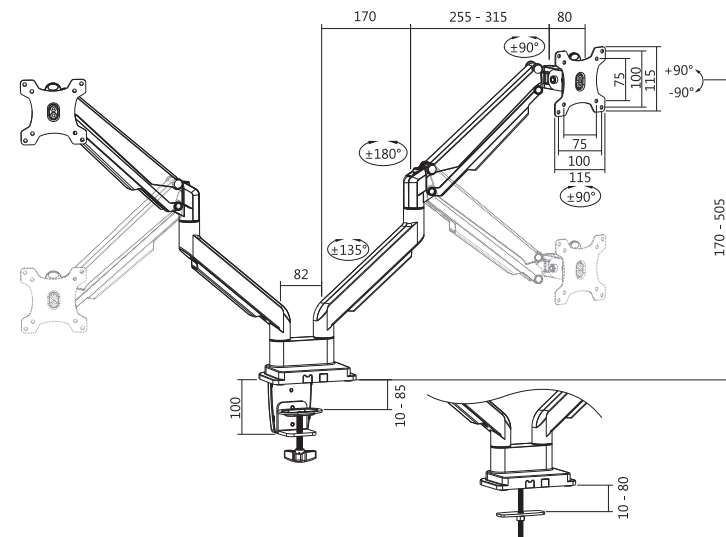
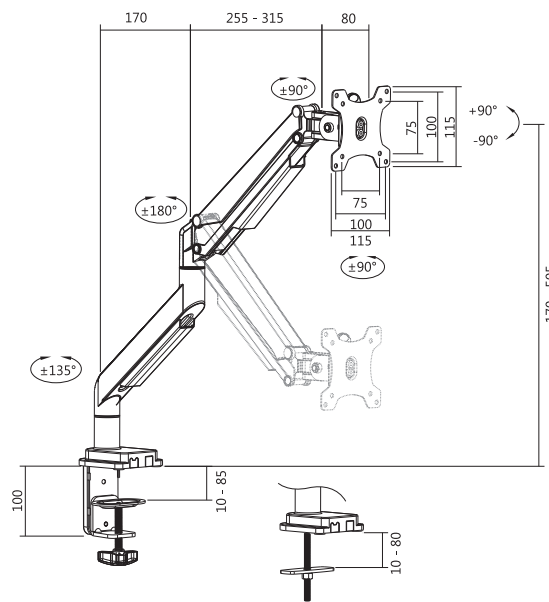
EMA34 SERIES



Note: Dimensions in the line drawings are mm.

**EMA34-C12** For Single Monitor

**EMA34-C24** For Dual Monitors



Item No.	EMA34-C12	EMA34-C24
Fit Screen Size	17"-32"	17"-32"
Weight Capacity (per screen)	1-9kg	1-9kg
Tilt Range	+90°--90°	+90°--90°
Swivel Range	+90°--90°	+90°--90°
Screen Rotation	+90°--90°	+90°--90°
Material	Aluminium, Steel	Aluminium, Steel

# PREMIUM ALUMINIUM GAS SPRING MONITOR ARMS

EMA10 SERIES

## Aluminium Construction

provides a sleek, lighter, and elegant look.



↑EMA10-C24



Slide-in VESA Plate



3.0 USB Port & Multimedia Ports

Compliant tested to ANSI/BIFMA mechanical safety and performance standards. (EMA10-C12 Only)

- Screen Size\* 13"-32"
- VESA Compatible 75x75 100x100
- Tilt Range +90° - -90°
- Swivel Range +90° - -90°
- Screen Rotation 180°
- Cable Management
- Clamp & Grommet Installation
- Curved Monitor
- Gas Spring

\*The screen size we suggest is for most monitors & laptops in the range.



**EMA10-C12**

Full Extension: 605mm  
VESA Plate Height: 170-505mm  
175-510mm



**EMA10-C24U (USB Version)**

Full Extension: 1100mm  
VESA Plate Height: 170-505mm  
175-510mm



**EMA10-C36U (USB Version)**

Full Extension: 1524mm  
VESA Plate Height: 175-510mm

EMA20 Series

# Slim Aluminium Mechanical Spring Monitor Arms

## Aesthetically Designed for Functionality and Ease

With the new top mounting feature, installations can be made from above the desk, quickly and easily. Installing monitor arms has never been easier or more convenient thereby greatly reduces installation time.

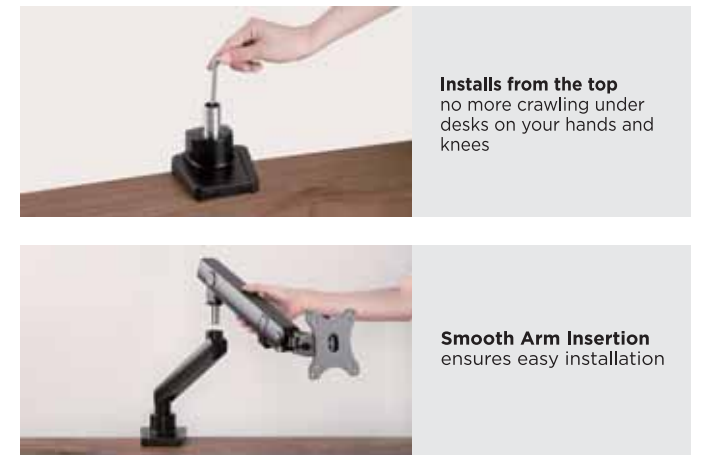


## SLIM ALUMINIUM MECHANICAL SPRING MONITOR ARMS

EMA20 SERIES



**Detachable VESA Plate** for a quick and easy installation

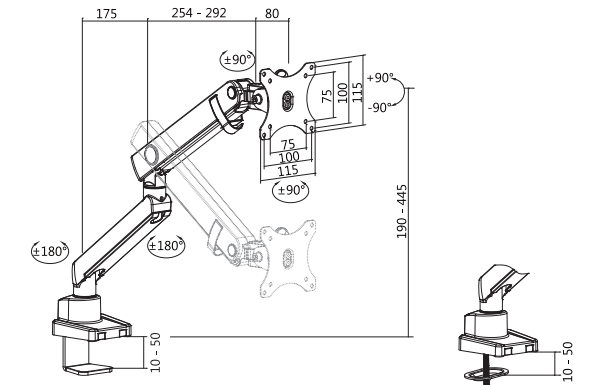


**Installs from the top** no more crawling under desks on your hands and knees

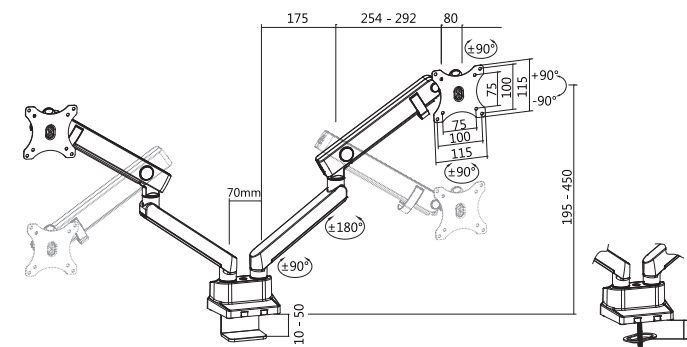
**Smooth Arm Insertion** ensures easy installation

Note: Dimensions in the line drawings are mm.

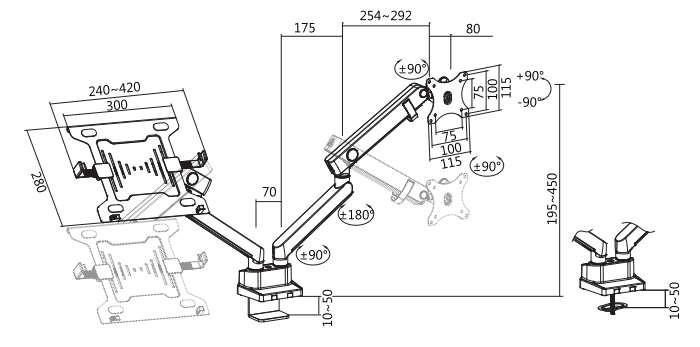
### EMA20-C12 For Single Monitor



### EMA20-C24 For Dual Monitors



### EMA20-C24ML Holds a Variety of Laptop Sizes (10"-15.6")



Item No.	EMA20-C12	EMA20-C24	EMA20-C24ML
Fit Screen/Laptop Size	17"-32" Monitor	17"-32" Monitor	17"-32" Monitor / 10"-15.6" Laptop
Weight Capacity (per screen)	0-8kg	0-8kg	0-8kg
Tilt Range	+90°- -90°	+90°- -90°	+90°- -90°
Swivel Range	+90°- -90°	+90°- -90°	+90°- -90°
Screen Rotation	+90°- -90°	+90°- -90°	+90°- -90°
Material	Aluminium, Steel	Aluminium, Steel	Aluminium, Steel



EMA30 Series

# Aluminium Articulating Monitor Arms

The EMA30 Series combines value and versatility into a single product solution. The aluminium arm creates a stylish and elegant look adding to any home or office décor. The flexible arm joint and rotating/tilting VESA plate allows the user to adjust the height and angle of monitors, offering the absolutely best viewing experience.



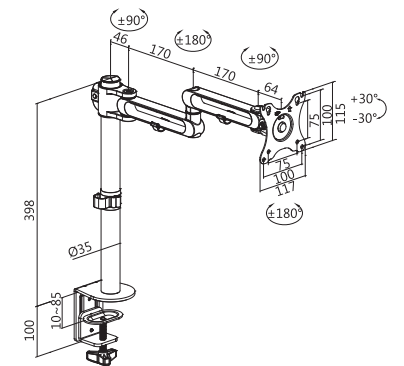
**Keyhole Pattern VESA Slot**  
for quick attachment and detachment



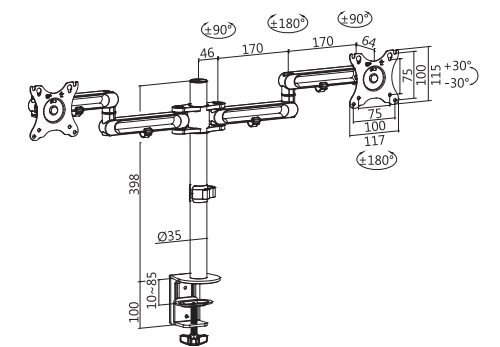
**Versatile Movement**  
adjust monitors for optimal viewing experience


Note: Dimensions in the line drawings are mm.

**EMA30-C12** For Single Monitor / Large Swivel



**EMA30-C24** For Dual Monitors / Large Swivel



Colours:  

Item No.	EMA30-C12	EMA30-C24
Fit Screen Size	17"-32"	17"-32"
Weight Capacity (per screen)	8kg	8kg
Tilt Range	+30° - -30°	+30° - -30°
Swivel Range	+90° - -90°	+90° - -90°
Screen Rotation	+180° - -180°	+180° - -180°
Material	Aluminium, Steel	Aluminium, Steel
Colour Options	Black or silver	Black or silver

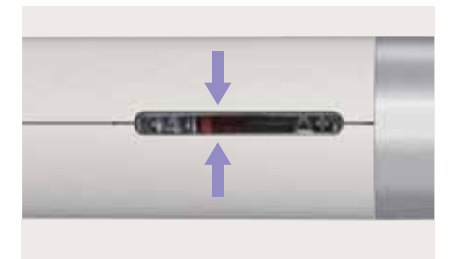
EMA49 Series

# Premium Slim Aluminium Spring-Assisted Monitor Arms

Featuring **slim arms and outstanding flexibility**, the EMA49 Series Monitor Arms combine great looks and smooth movement resulting in a better work experience. Ideal for applications requiring frequent display adjustments, including financial analysis, creative work and more.



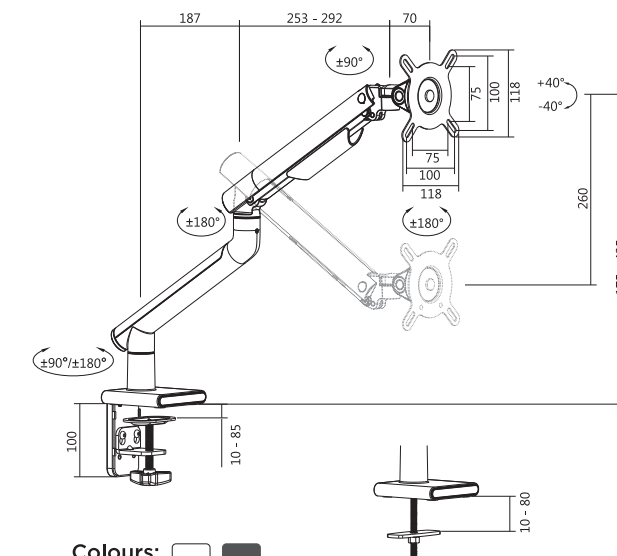
**Quick-Release VESA Plate** allows for effortless installation and removal



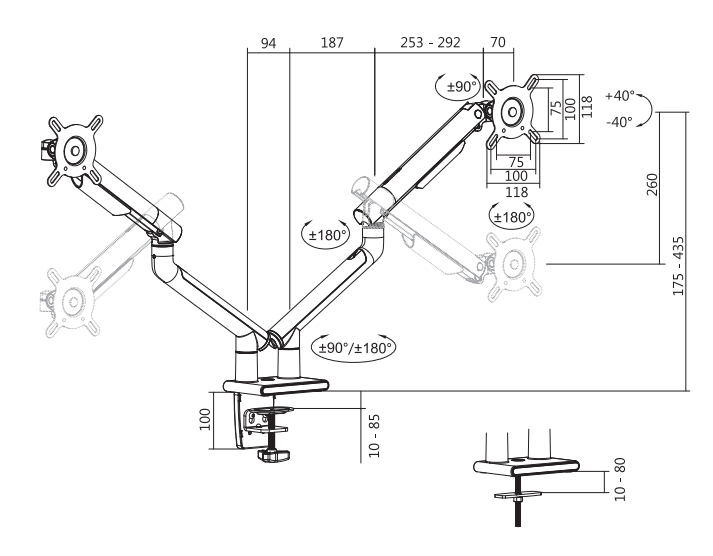
**Tension Indicator** designed for spring tension alignment when installing multiple monitors

Note: Dimensions in the line drawings are mm.

**EMA49-C12** For Single Monitor



**EMA49-C24** For Dual Monitors



Colours:

Item No.	EMA49-C12	EMA49-C24
Screen Size		17"-32"
Weight Capacity(per screen)		2-9kg
VESA Compatible		75x75, 100x100
Tilt Range		+40°--40°
Swivel Range		+90°--90°
Screen Rotation		+180°--180°
Material		Aluminium, Steel, Plastic
Colour Options		White or space grey



# MONITOR RISER

SURFACE MATERIAL



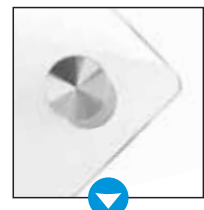
ESS-101 / ESS-102

# Tempered Glass Monitor Risers

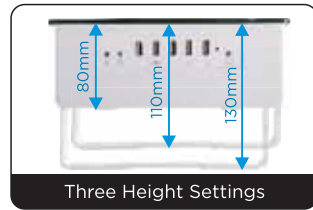
Tempered glass is able to resist breakage, offering strength to hold any monitors, books and speakers up to 20kg. It is also scratch resistant and will stand up to everyday use.

## TEMPERED GLASS SURFACE SMART STANDS

ESS-93



Tempered Glass



Three Height Settings



Convenient Side Slot



Anti-Slip Pads

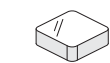


**ESS-93**  
3 USB 2.0 Ports  
Multimedia Ports (MIC/Headphone)  
2 USB Quick Charge Ports (1.5A/2.4A)



- Multimedia Port
- USB 2.0 Port
- Quick Charge Port

For extra data transfer, fast charging and sound input/output.



Desktop Thickness 5mm



Weight Capacity 20kg

## TEMPERED GLASS MONITOR RISERS

ESS-101 / ESS-102

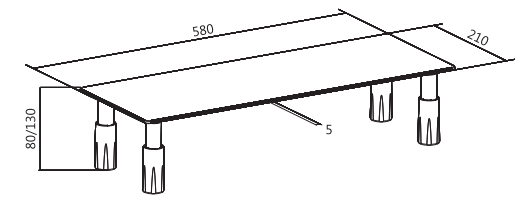
Note: Dimensions in the line drawings are mm.

**ESS-101**



Two Height Settings

Plastic Feet  5mm Thickness

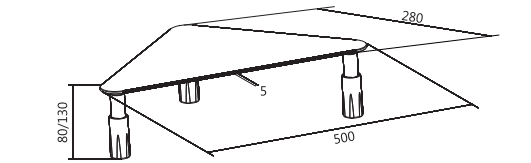


**ESS-102**



Two Height Settings

Plastic Feet  5mm Thickness



Item No.	ESS-101	ESS-102
Fit Screen Size	13-32"	13-32"
Surface Thickness	5mm	5mm
Height Range	80/130mm	80/130mm
Weight Capacity	20kg	20kg
Material	Plastic, Tempered Glass	Plastic, Tempered Glass

Ergonomic Leaning Chair

*Adapts to Your Posture - Set Your Body Free!*



Note: Dimensions in the line drawings are mm.

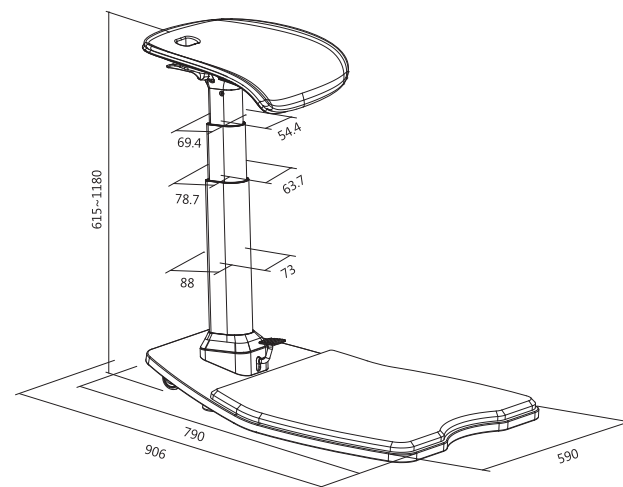
ECH-071



**615-1180mm**  
Effortless Height Adjustment  
with Squeeze Lever



**PU Hooded Casters**  
for quiet and easy mobility



Item No.	ECH-071
Weight Capacity	125kg
Height Range	615-1180mm
Surface Material	PU Foam
Mat Material	PU Foam
Caster Type	PU Hooded Caster

ANTI-FATIGUE STANDING MAT

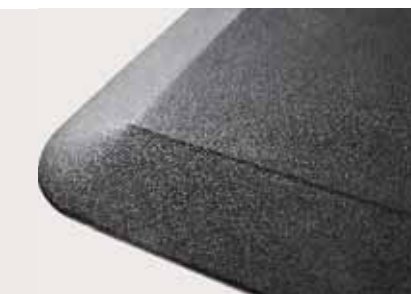
Whether standing long hours at home or at the office, an anti-fatigue mat can be a lifesaver to tired, achy feet and legs.



**ESM-012**  
Dimensions: 990x510x20mm  
Material: PVC, PU, SBR



**Anti-Slip Surface**  
Reduces slipping risks.



**Bevelled Edges**  
Are wide, rounded and do not curl-up,  
avoiding falls and risk of trip hazard to  
the user.



**Waterproof Material**  
Can be easily cleaned with some water  
and a cloth when dirty.

Mount Your CPU, Save Valuable Work Surface!

CPU MOUNT



**ECPU-5 Under Desk**  
Sliding Mechanism: 310mm

Screen Rotation: 360°  
Weight Capacity: 10kg  
Adjustable Height: 300-533mm  
Adjustable Width: 88-203mm

