



Stronghold Steel Furniture

# Complete product range

# Contents

<b>Background</b> .....	3
<b>Filing and Solutions</b> .....	4
<b>Steel Cabinets</b> .....	15
<b>Shelving and Racking</b> .....	25
<b>Bin Storage</b> .....	28
<b>Lockers</b> .....	31
<b>Garment Storage Solutions</b> .....	43
<b>Table and Tops</b> .....	51
<b>Colours</b> .....	54

# High-quality custom steel furniture that does the job.

Our steel furniture and storage products are all made in Melbourne to exceptionally high standards. For you this means greater visibility over your project, no shipping delays, 100% control and extensive product customisation options.

Whether you're doing an office fit out, educational facility or industrial application, we're here to help.

Browse the range, and get in touch to talk about customising steel furniture for the perfect look and fit for your project.



**Adam Culpan**

Managing Director  
Stronghold



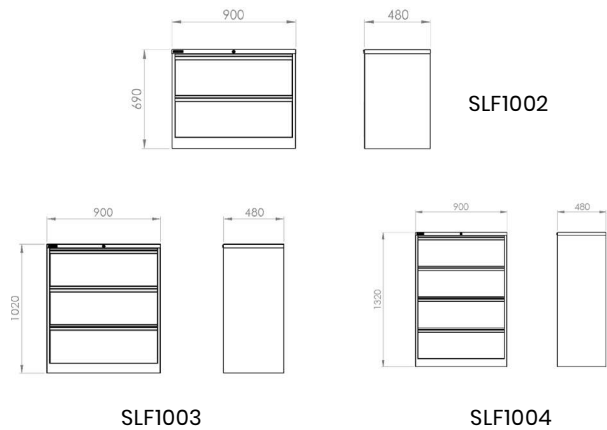




# Filing Solutions

**Cabinets, pedestals, caddies and all the accessories you need.**

# Lateral Filing Cabinets



## Features

- Strong steel construction
- Welded internal and base frame for extra strength and rigidity
- Heavy Duty 45kg ball bearing runners for smooth operation
- Full drawer extension for easy access to all files/contents
- Supplied with Anti Tilt system for safer operation
- Full height powder coated drawer body
- Drawer retention system ensures closed drawers stay shut
- Complete with two keys also Mastered locks available
- Durable oven baked, powder coat finish
- Adjustable Levelling Feet
- 2 rows of filing front to back or 1 row left to right
- Locking: Key Lock
- Warranty: 5 years

## Colour Options

### Standard Colours

- Standard Colours

### Extended Colours

- Refer to Stronghold colour range

### Options

- Planter Box

## Product Range

CODE	DESCRIPTION	DIMENSIONS (mm)
SLF 1004	4 Drawer Filing Cabinet	1320H x 900W x 480D
SLF 1003	3 Drawer Filing Cabinet	1020H x 900W x 480D
SLF 1002	2 Drawer Filing Cabinet	690H x 900W x 480D

# Mobile Pedestal – Budget



## Features

- Files run laterally
- Warranty: 5 years

## Colour Options

### Standard Colours

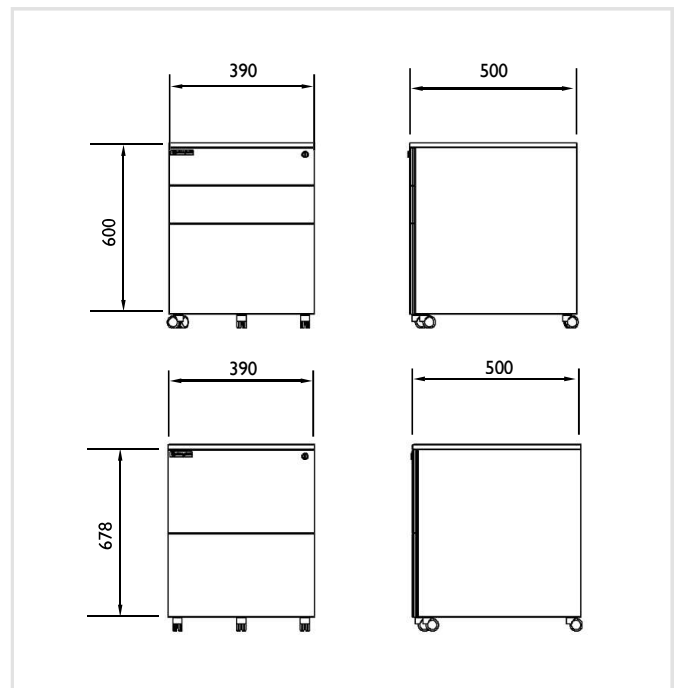
- White Satin

### Extended Colours

- Refer to Stronghold colour range

### Other Colours

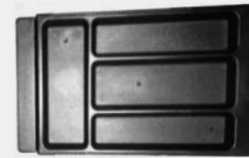
- By Request



## Product Range

CODE	DESCRIPTION	DIMENSIONS (mm)
SHP 3921	Flat Front, 2 Personal + 1 File, inc pencil tray	600H x 390W x 500D
SHP 3902	Flat Front, 2 File Drawers	678H x 390W x 500D

# Mobile Pedestals



SH PT Pencil tray available

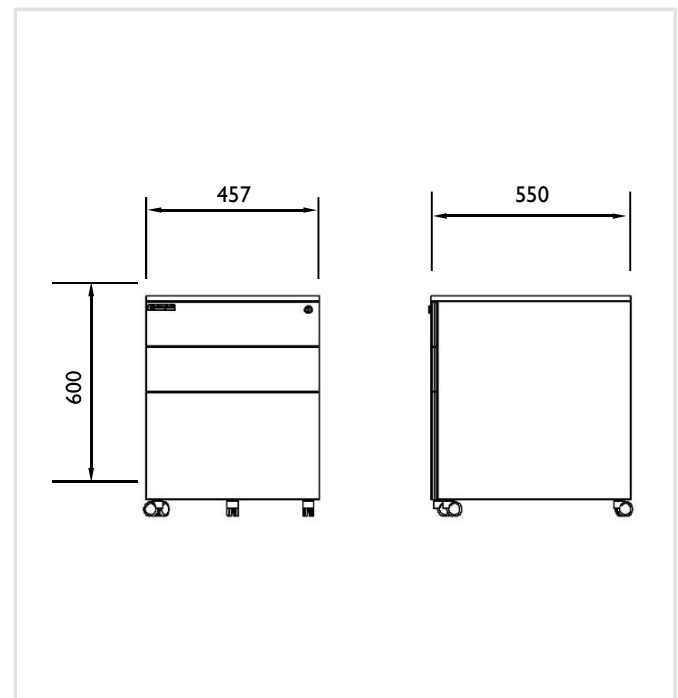
## Features

- Strong all steel construction & Fully welded
- Double extension steel ball bearing runner system for smoother operation
- Full drawer extension for easy access to all files/contents
- Heavy-duty 35kg load capacity (UDL)
- A4 & foolscap hanging bar available in File Drawer
- High impact swivel castors – securely mounted on base
- Durable oven baked, powder coat finish
- Files run front to back
- Wide body for front to back filing
- Custom sizing available, min QTY applies
- Australian made
- Warranty: 5 years

## Colour Options

### Standard Colours

- Full Stronghold colour range



## Product Range

CODE	DESCRIPTION	DIMENSIONS (mm)
SHP 4511	Low Profile, 1 Personal + 1 File, Recessed Handle	520H x 457W x 550D
SHP 4521	2 Personal + 1 File, Recessed Handle	600H x 457W x 550D
SHP 4522	2 File Drawer, Recessed Handle	660H x 457W x 550D
SHPT	Extendable Pencil Tray	To 400

# Mobile Caddy



## Features

- Strong all steel construction & Fully welded
- Full drawer extension for easy access to all files/contents
- Heavy-duty 35kg load capacity (UDL)
- High impact swivel castors – securely mounted on base
- Durable oven baked, powder coat finish
- Translucent Door Slats

## Colour Options

### Standard Colours

- White Satin
- Translucent Doors

### Extended Colours

- Refer to Stronghold colour range

### Other Colours

- By Request

## Product Range

CODE	DESCRIPTION	DIMENSIONS (mm)
SPC 1046RH	Caddy - RHS Drawers	1050W x 460D x 570H
SPC 1046LH	Caddy - LHS Drawers	1050W x 460D x 570H
SPC 0945RH	Caddy 900W - RHS Drawers	900W x 450D x 600H
SPC 0945LH	Caddy 900W - LHS Drawers	900W x 450D x 600H



# Tambour Cabinets



## Features

- Strong steel construction
- Welded support frame for extra strength and rigidity
- Fully retractable tambour door system
- Full length magnetic catch on doors
- Easy slide moulded tracking
- Secure key locking
- Internal shelves and accessories are easily adjustable at 25mm increments
- Durable oven baked, powder coat finish
- Adjustable Levelling Feet
- 80kg shelf load
- Australian made
- Warranty: 5 years

## Colour Options

### Standard Colours

- White Satin/White Doors, Doors available in silver, Translucent, Charcoal & Magnolia upon request

### Extended Colours

- Refer to Stronghold colour range

### Other Colours

- By Request

## Product Range

CODE	DESCRIPTION	DIMENSIONS (mm)
<b>900 WIDE</b>		
STM 0609	680H x 900W x 500D	1
STM 1009	1020H x 900W x 500D	2
STM 1209	1200H x 900W x 500D	2
STM 1309	1320H x 900W x 500D	2
STM 1909	1980H x 900W x 500D	4
<b>1200 WIDE</b>		
STM 0612	680H x 1200W x 500D	1
STM 1012	1020H x 1200W x 500D	2
STM 1212	1200H x 1200W x 500D	2
STM 1312	1320H x 1200W x 500D	2
STM 1912	1980H x 1200W x 500D	4

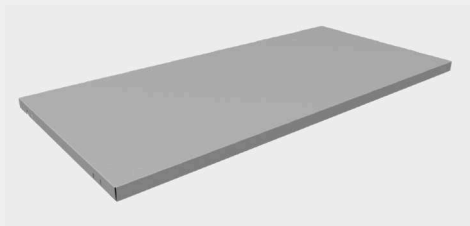
# Tambour Accessories



Roll out frame



Roll out shelf



Extra Shelf

## Colour Options

### Standard Colours

→ Refer to Stronghold colour range

### Extended Colours

→ By request

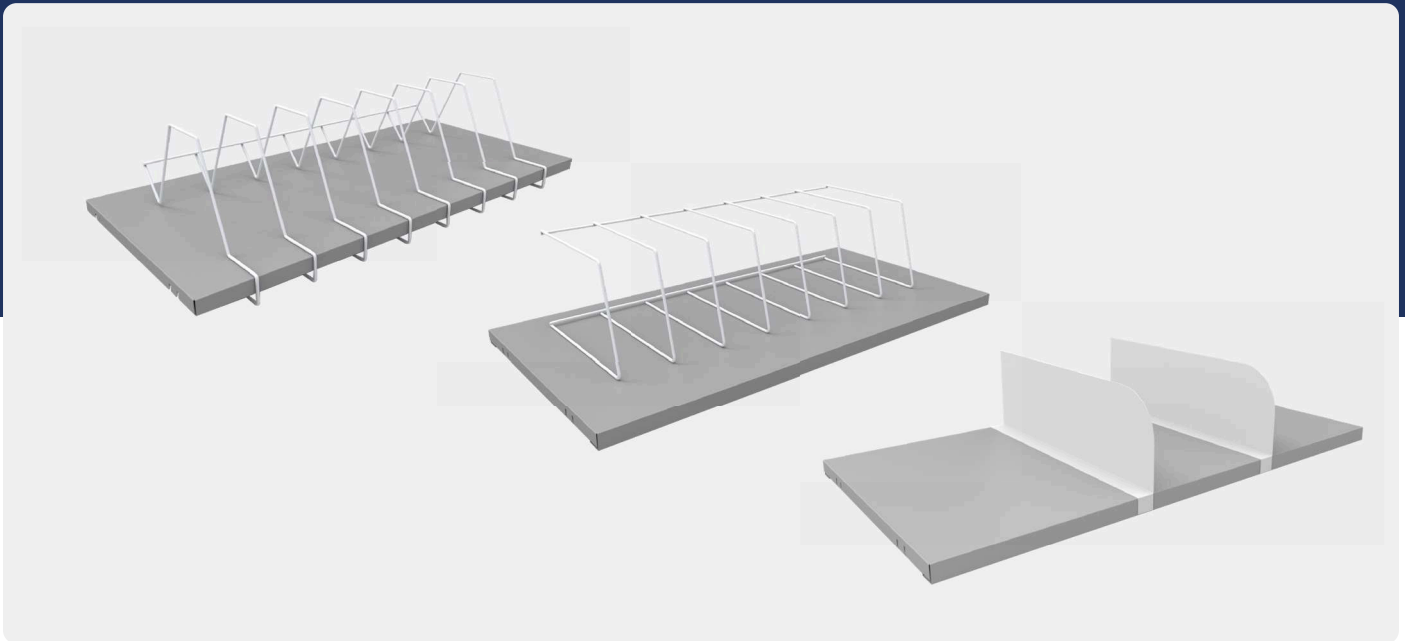
### Other Colours

→ By request (Shelf & Shelf Divider only)

## Product Range

CODE	DESCRIPTION	DIMENSIONS (mm)
<b>900 WIDE</b>		
STM 09SH	Shelf	To suit 900W
STM 09RS	Roll Out Shelf	To suit 900W
STM 09RF	Roll Out Frame	To suit 900W
SWR 0900	Wire Rack - 900W (White only)	740w
SWR 0900W	Wire Rack - 900W Wrap around (White only)	740w
<b>1200 WIDE</b>		
STM 12SH	Shelf	To suit 1200W
STM 12RS	Roll Out Shelf	To suit 1200W
STM 12RF	Roll Out Frame	To suit 1200W
SWR 1200	Wire Rack - 1200W (White only)	1040W
SWR 1200W	Wire Rack - 1200W Wrap around (White only)	1040W
<b>GENERIC</b>		
SSD 0500TAM	Shelf Divider 500D Tambour	To suit Tambour

# Filing Accessories



## Features

- Shelf Divider
- Wire Rack
- Wire Rack Wrap around
- Australian made
- Warranty: 5 years

## Colour Options

### Standard Colours

- Wire Racks available in white only
- Shelf Divider refer to Stronghold colour range

### Extended Colours

- Refer to Stronghold colour range

### Other Colours

- By Request

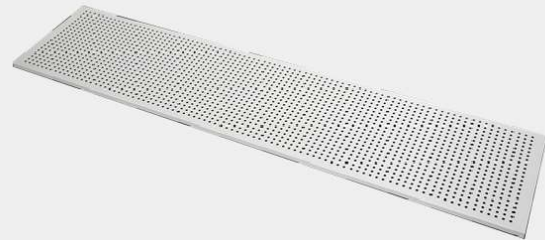
## Product Range

CODE	DESCRIPTION	DIMENSIONS (mm)
SWR 0900	Wire Rack - 900W (White only)	740w
SWR 0900W	Wire Rack - 900W Wrap around (White only)	740w
SWR 1200	Wire Rack - 1200W (White only)	1040w
SWR 1200W	Wire Rack - 1200W Wrap around (White only)	1040w
SSD 0350	Shelf Divider 350D	To suit 350D
SSD 0455	Shelf Divider 455D	To suit 455D
SSD 0500TAM	Shelf Divider 500D Tambour	To suit Tambour
SHPT	Extendable Pencil Tray	To 400mm

# Desk Accessories



Desk Lozenge



Modesty Panel Peforated

## Features

- Desk Lozenge
- Modesty Panel Peforated
- Warranty: 5 years
- Australian made

## Colour Options

### Standard Colours

- Refer to Stronghold colour range
- Shelf Divider refer to Stronghold colour range

### Extended Colours

- By Request

### Other Colours

- By Request

## Product Range

CODE	DESCRIPTION	DIMENSIONS (mm)
SHDL 25	Dek Lozenge - 25mm	25
SHDL 32	Desk Lozenge - 32mm	32
SMP 1500	Modesty Panel 1500W Plain	1500 x 400
SMP 1500P	Modesty Panel 1500W Perforated	1500 x 400
SMP 1800	Modesty Panel 1800W Plain	1800 x 400
SMP 1800P	Modesty Panel 2000W Perforated	1800 x 400
SMP 2000	Modesty Panel 2000W Plain	2000 x 400
SMP 2000P	Modesty Panel 2000W Perforated	2000 x 400

# Planter Boxes



## Features

- Fully welded steel
- Powder coated finish
- Plain or perforated
- Made to suit Tambours, Cabinets & Lateral Filing Cabs
- Plastic drip trays available
- Australian made
- Warranty: 5 years

## Colour Options

### Standard Colours

- Refer to Stronghold colour range

### Other colours

- By request

## Product Range

CODE	TO SUIT	SIZE	DIMENSIONS (mm)
SPB 09455	Cabinet	900 x 455 x 200	900 x 455 x 200
SPB 09455PE	Cabinet	900 x 455 x 200	900 x 455 x 200
SPB 09480	Lateral	900 x 480 x 200	900 x 480 x 200
SPB 09480PE	Lateral	900 x 480 x 200	900 x 480 x 200
SPB 09500	Tambour	900 x 500 x 200	900 x 500 x 200
SPB 09500PE	Tambour	900 x 500 x 200	900 x 500 x 200
SPB 12500	Tambour	1200 x 500 x 200	1200 x 500 x 200
SPB 12500PE	Tambour	1200 x 500 x 200	1200 x 500 x 200

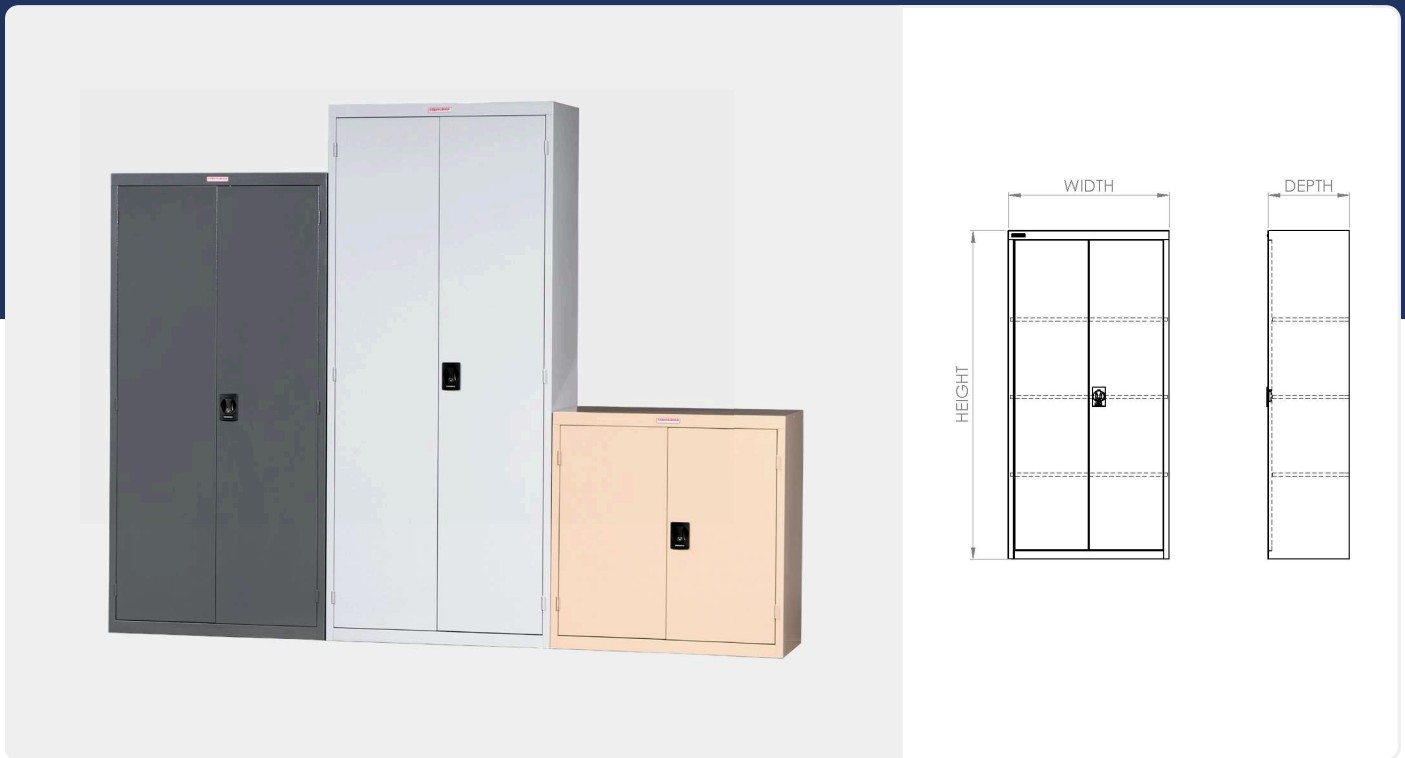




# Steel Cabinets

For industrial and office storage.

# Cabinets



## Features

- Sturdy welded construction
- Welded shelf support strips for extra strength
- Adjustable shelves
- Fixed bottom shelf (Base)
- Flush fitting key lock and handle
- Secure 3 point locking system
- Adjustable feet (for uneven floors)
- 100kg shelf load capacity (UDL)
- Durable oven baked powder coat finish
- Please contact us regarding stock cabinets with perspex door inserts, available in all sizes
- Extra shelves available
- Australian made
- Warranty: 5 years

## Colour Options

### Standard Colours

- Refer to Stronghold colour range

### Other Colours

- By request

# Cabinets (cont.)

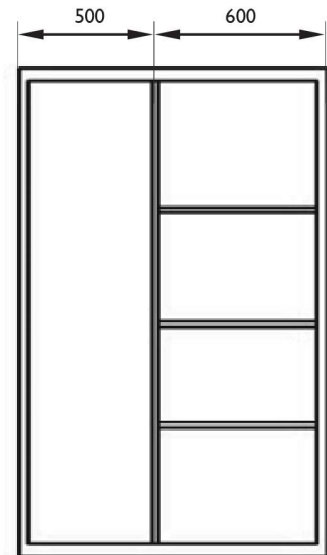
## Standard Cabinet Range

CODE	DESCRIPTION	SPARE SHELF PART NO	NO OF SHELVES	DIMENSIONS (mm)
SHC 1500	Standard Cabinet - 1840 High	SHE 0001	3	1840H x 900W x 455D
SHB 1100	Standard Cabinet - 915 High	SHE 0001	2	915H x 900W x 455D
SHB 1200	Large Cabinet - 915 High	SHE 0004	2	915H x 900W x 600D
SHC 1374	3/4 High Standard Cabinet	SHE 0001	2	1320H x 900W x 455D
SHC 1376	3/4 High Extra Depth	SHE 0004	2	1320H x 900W x 600D
SHC 0645	Cabinet - 1840 High-600W	SHE 0014	3	1840H x 600W x 455D
SHC 0350	Standard Cabinet - 350 Deep	SHE 0005	3	1840H x 900W x 350D
SHC 1560	Large Cabinet - 1840 High	SHE 0004	3	1840H x 900W x 600D
SHC 1750	Extra Width	SHE 0012	3	1840H x 1150W x 455D
SHC 1760	Extra Width & Depth	SHE 0010	3	1840H x 1150W x 600D
SHC 1570	Extra Height Cabinet	SHE 0001	4	2100H x 900W x 455D
SHC 1580	Extra Height & Depth	SHE 0004	4	2100H x 900W x 600D
SHC 1740	Extra Height & Width	SHE 0012	4	2100H x 1150W x 455D
SHX 1800	Industrial Cabinet	SHE 0010	4	2100H x 1150W x 600D

## Shelves Range

CODE	DESCRIPTION	DIMENSIONS (mm)
SHE 0001	Standard Shelf	900W x 455D
SHE 0004	Large Shelf	900W x 600D
SHE 0005	Standard Shelf	900W x 350D
SHE 0010	Extra Large Shelf	1150W x 600D
SHE 0012	Extra Wide Shelf	1150W x 455D
SHE 0014	Shelf 600W	600w x 455D

# Combination Cabinets



## Features

- Sturdy welded construction
- Welded shelf support strips for extra strength
- Adjustable shelves
- Fixed bottom shelf (Base)
- Flush fitting key lock and handle
- Secure 3 point locking system
- Adjustable feet (for uneven floors)
- 120kg shelf load capacity (UDL)
- Durable oven baked powder coat finish
- 400W hanging space & 500W adjustable shelves
- Combination Cabinet with full width top shelf has 400W Hanging space & adjustable shelves below
- Industrial Combo Cabinet has 500W hanging space & 600W adjustable shelves
- Extra shelves available
- Australian made
- Warranty: 5 years

## Colour Options

### Standard Colours

- Refer to Stronghold colour range

### Other Colours

- By request

# Combination Cabinets (cont.)

## Standard Cabinet Range

CODE	DESCRIPTION	SPARE SHELF PART NO	NO OF SHELVES	DIMENSIONS (mm)
SHC 1525	Combination Cabinet - 1840 High	SHE 0002	3	1840H x 900W x 455D
SHC 1526	Combination Cabinet wih full width shelf	SHE 0002	2	1840H x 900W x 455D
SHC 1565	Large Combination Cabinet - 1840 High	SHE 0003	3	1840H x 900W x 600D
SHC 1575	Combination Cabinet - 2100 High	SHE 0002	4	2100H x 900W x 455D
SHC 1585	Large Combination Cabinet - 2100 High	SHE 0003	4	2100H x 900W x 600D
SHX 1825	Industrial Combination Cabinet	SHE 0011	4	2100H x 1150W x 600D

## Shelves Range

CODE	DESCRIPTION	DIMENSIONS (mm)
SHE 0002	Standard Combo Shelf 500W x 455D	500W x 455D
SHE 0003	Combo Shelf-Ex Depth	500W x 600D
SHE 0011	Extra Large Combo Shelf	600W x 600D



# Industrial Cabinet



## Features

- Heavy Duty all steel construction
- Fully welded
- Full length piano hinge on doors
- 200kg shelf capacity (Uniformly Loaded)
- Levelling Feet
- 3 point locking
- 500W Full Height Hanging Space
- 600W Adjustable Shelves
- Warranty: 5 years
- Australian made

## Colour Options

### Standard Colours

- Refer to Stronghold colour range

### Extended Colours

- By request

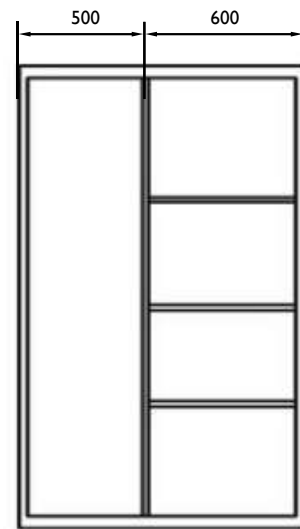
### Other Colours

- By request (Shelf & Shelf Divider only)

## Product Range

CODE	SPARE SHELF CODE	NO OF SHELVES	DIMENSIONS (mm)
SHX 1800	SHE 0010	4	2100H x 1150W x 600D

# Industrial Combination Cabinet



## Features

- Heavy Duty all steel construction
- Fully welded
- Full length piano hinge on doors
- 200kg shelf capacity (Uniformly Loaded)
- Levelling Feet
- 3 point locking
- 500W Full Height Hanging Space
- 600W Adjustable Shelves
- Warranty: 5 years
- Australian made

## Colour Options

### Standard Colours

- Refer to Stronghold colour range

### Extended Colours

- By request

## Product Range

CODE	SPARE SHELF CODE	NO OF SHELVES	DIMENSIONS (mm)
SHX 1825	SHE 0010	4	2100H x 1150W x 600D

# Sloping Top Cabinets



## Features

- Strong steel construction
- Integrated Sloping Top
- Welded shelf support strips for extra strength
- Adjustable shelves
- Fixed bottom shelf (Base)
- Flush fitting key lock and handle
- Secure 3 point locking system
- Adjustable feet (for uneven floors)
- 120kg shelf load capacity (UDL)
- Durable oven baked powder coat finish
- Extra shelves available
- Australian made
- Warranty: 5 years

## Colour Options

### Standard Colours

- Available in full Stronghold colour range

## Product Range

CODE	DESCRIPTION	NO OF SHELVES	DIMENSIONS (mm)
SHC 1590D	Sloping Top Cabinet	4	2100H x 900W x 455D

# Bin Cabinet



## Features

- Full Louvre Panel Back for storing parts bins
- Strong steel construction
- Fixed bottom shelf (Base)
- Flush fitting key lock and handle
- Secure 3 point locking system
- Adjustable feet (for uneven floors)
- Durable oven baked powder coat finish
- Australian made
- Warranty: 5 years

## Colour Options

### Standard Colours

- Refer to Stronghold colour range

### Extended Colours

- Refer to Stronghold colour range

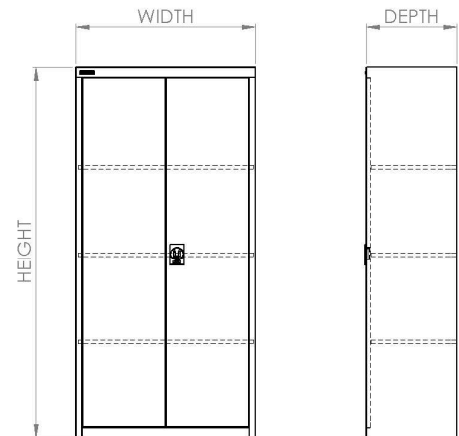
### Other Colours

- By request

## Product Range

CODE	DESCRIPTION	DETAILS	DIMENSIONS (mm)
SHO 0350L	Open Bay Bin Shelf - 1840 High	No Doors	1840H x 900W x 350D
SHC 0350L	Bin Cabinet - 1840 High	With Doors	1840H x 900W x 350D

# Perspex Door Cabinet



## Features

- Strong steel construction
- Fully welded
- Powder coated finish
- 3 point locking
- Levelling feet
- Fitted with Perspex in laid doors for easy stock level visibility
- Any size cabinet can be modified to Perspex doors
- Locking: Flush key lock
- Warranty: 5 years
- Australian made

## Colour Options

### Standard Colours

- Refer to Stronghold colour range

### Other Colours

- By Request

### Options

- Extra Shelves

## Product Range

CODE	SPARE SHELF CODE	NO OF SHELVES	DIMENSIONS (mm)
SHC 1500PER	SHE 0001	3	1840H x 900W x 455D





# Shelving and Racking

Steel pigeon hole units and open bay commercial shelving.

# Open Bay Shelving



## Features

- Sturdy welded construction
- Welded shelf support strips for extra strength
- Adjustable shelves
- Fixed bottom shelf (Base)
- Adjustable feet (for uneven floors)
- 100kg shelf load capacity (UDL)
- Durable oven baked powder coat finish
- Extra shelves available
- Australian made
- Warranty: 5 years

## Colour Options

### Standard Colours

- Refer to Stronghold colour range

### Standard Colours

- By request

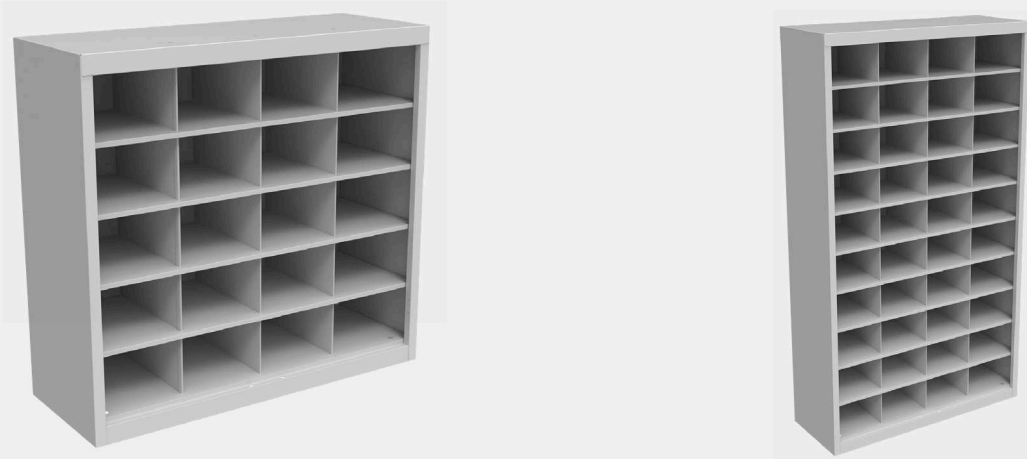
## Product Range

CODE	SPARE SHELF CODE	NO OF SHELVES	DIMENSIONS (mm)
SHO 1374	SHE 0001	2	1320H x 900W x 455D
SHO 0350	SHE 0005	3	1840H x 900W x 350D
SHO 1600	SHE 0001	3	1840H x 900W x 455D
SHO 1625	SHE 0004	3	1840H x 900W x 600D
SHO 1700	SHE 0001	4	2100H x 900W x 455D
SHO 1740	SHE 0012	4	2100H x 1150W x 455D

## Spare Shelf Range

CODE	DESCRIPTION	DIMENSIONS (mm)
SHE 0001	Standard Shelf	900W x 455D
SHE 0004	Large Shelf	900W x 600D
SHE 0005	Standard Shelf	900W x 350D
SHE 0012	Extra Wide Shelf	1150W x 455D

# Pigeon Hole Unit



## Features

- Sturdy fully welded construction
- Durable oven baked powder coat finish
- Lock system available for doors
- Each compartment 161h x 240w x 375d
- Warranty: 5 years
- Australian made

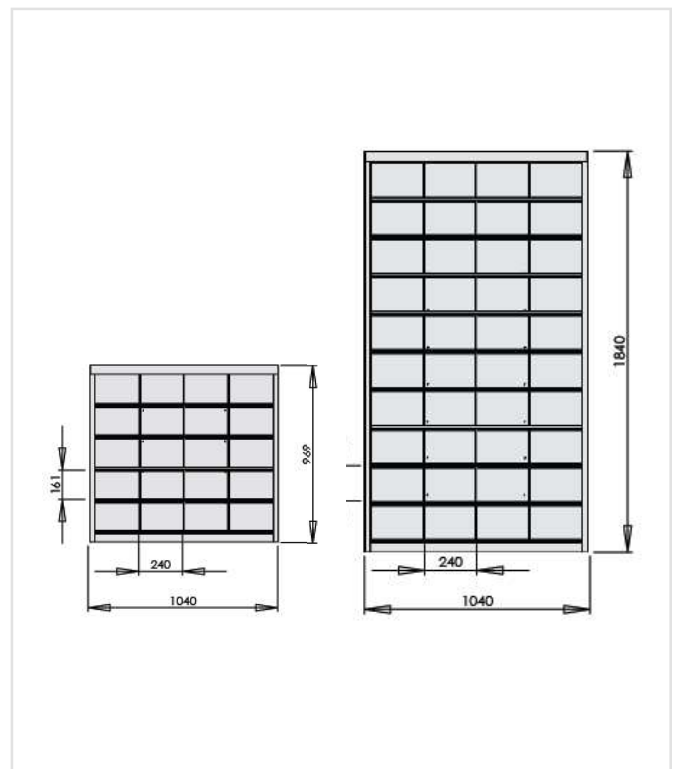
## Colour Options

### Standard Colours

- Refer to Stronghold colour range

### Other colours

- By request



## Product Range

CODE	DESCRIPTION	COMPARTMENTS	DIMENSIONS (mm)
PHU 20	Pigeon Hole Unit 20 slots	4W x 5H	970H x 1040W x 385D
PHU 40	Pigeon Hole Unit 40 slots	4W x 10H	1840H x 1040W x 385D
PHU 20D	Pigeon Hole Unit 20 slots with doors	4W x 5H	970H x 1040W x 385D
PHU 40D	Pigeon Hole Unit 40 slots with doors	4W x 10H	1840H x 1040W x 385D



# Bin Storage

Keep everything organised with  
custom storage bins.



# Louvre Panels



## Features

- Folded edges for extra rigidity
- Fixing Holes for attaching to wall
- Durable powder coated finish
- Australian made
- Warranty: 5 years

## Colour Options

### Standard Colours

- Silver Grey Only

## Product Range

CODE	DESCRIPTION	DIMENSIONS (mm)
SLP 0457	Louvre Panel Powder Coated	457H x 455W
SLP 0915	Louvre Panel Powder Coated	915H x 455W
SLP 1200	Louvre Panel Powder Coated	1200H x 455W
SLP 1830	Louvre Panel Powder Coated	1830H x 455W



# Plastic Parts Bins



## Features

- Three sizes available
- To suit louvre panel
- Stackable
- Australian made

## Product Range

CODE	DESCRIPTION	DIMENSIONS (mm)
SDG 0013	Plastic Part Bin - Small	85H x 100W x 172D
SDG 0014	Plastic Part Bin - Medium	124H x 130W x 220D
SDG 0015	Plastic Part Bin - Large	165H x 200W x 275D