

SCREENS

VERSATILITY + ADAPTABILITY

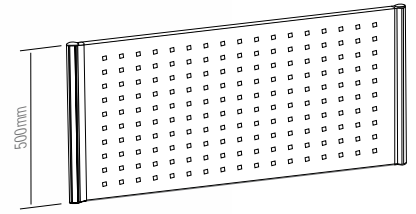
- WORK SPACE SOLUTIONS
- UPGRADE YOUR EXISTING DESK
- INTEGRATE SCREENS WITH DESKS
- MODULAR SYSTEMS



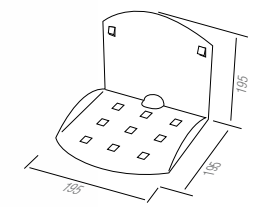
SYLEX
ERGONOMICS



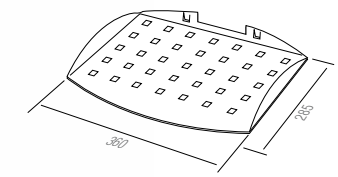
CODE	DESCRIPTION	WIDTH (mm)
ETS1200	TOOL SCREEN TO SUIT DESK	1200
ETS1400	TOOL SCREEN TO SUIT DESK	1400
ETS1600	TOOL SCREEN TO SUIT DESK	1600
ETS1800	TOOL SCREEN TO SUIT DESK	1800



EDASS PHONE/SPEAKER SHELF (PER PAIR)



EDATRAY LETTER TRAY (PER PAIR)



COLOUR

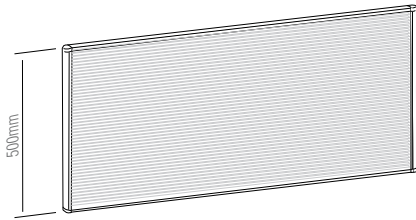


TOOL SCREEN

Tool Screens can be fitted to desks either permanently, by drilling the desktop and fitting mounting pins (refer to Page 11.), or temporarily by using the desk clamp. Tool Screens are perforated steel sheets with a regular square hole pattern. They serve to divide work areas, define personal space and provide limited privacy.

By adding accessory shelves and trays you can add extra layers and a vertical dimension to your workstation. Being powder coated steel, magnetic buttons allow you to pin notices and reminders to your space.

CODE	DESCRIPTION	WIDTH (mm)
FDICE0805	ICESCREEN TO SUIT DESK	800
FDICE0905	ICESCREEN TO SUIT DESK	900
FDICE1205	ICESCREEN TO SUIT DESK	1200
FDICE1405	ICESCREEN TO SUIT DESK	1400
FDICE1505	ICESCREEN TO SUIT DESK	1500
FDICE1605	ICESCREEN TO SUIT DESK	1600
FDICE1805	ICESCREEN TO SUIT DESK	1800



COLOUR



FROSTED



ICESCREEN

Icescreens are desk-mounted dividers made in a range of sizes that can fit to the rear or side of a desk to neatly divide space. They are the perfect way of dressing up your office and providing a little privacy.

Icescreens quickly mount to any desk (see fitting page 11 for best method of attaching your icescreen) to provide a translucent screen between workers, while still maintaining personal contact.

While colleagues can tell you are at your desk, Icescreens make it difficult for them to pry on you and your work.

Icescreens still let the ambient light shine through. That means you will not have to add to lighting bills or add specific task lighting.

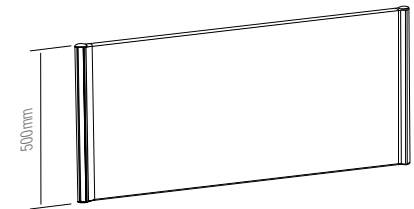
Icescreens provide the right balance between the privacy of sectioned offices/cubicles with the efficiency and communication advantages of the open plan office.



Note: Actual screen width is smaller (by approx 20mm) than the nominal width. This allows screens to easily mount within the perimeter of the desk

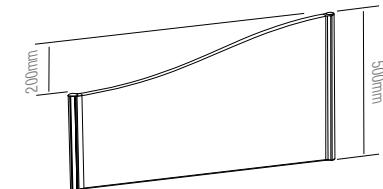
FLAT

Nominal Width (mm)			
800	1200	1500	1800
EDSF0805B	EDSF1205B	EDSF1505B	EDSF1805B
EDSF0805G	EDSF1205G	EDSF1505G	EDSF1805G



WAVE

Nominal Width (mm)			
800	1200	1500	1800
EDSW0805B	EDSW1205B	EDSW1505B	EDSW1805B
EDSW0805G	EDSW1205G	EDSW1505G	EDSW1805G



TEXTILE COLOUR OPTION



BLUE



GREY

Custom sizes & colours are priced on application

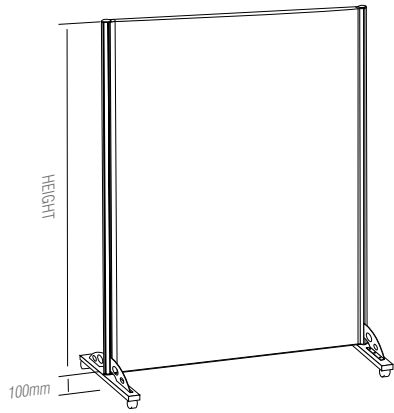
e - SCREENS DESK

Desk screens mount directly onto a desktop to provide visual barriers and pinnable surfaces. They can be mounted either on a pin (drilling of desk required), or with a clamp (no drilling required).

Sylex e-Screens can be used for different needs and can suit multiple requirements such as:

- All office environments
- Classrooms & Schools
- Halls & sales presentations
- Reception areas
- Libraries
- Seminars & conferences

CODE	HEIGHT (mm)	WIDTH (mm)	COLOUR
FDMOB0915BL	1500	900	BLUE
FDMOB0915GR	1500	900	GREY
FDMOB1215BL	1500	1200	BLUE
FDMOB1215GR	1500	1200	GREY
FDMOB0918BL	1800	900	BLUE
FDMOB0918GR	1800	900	GREY
FDMOB1218BL	1800	1200	BLUE
FDMOB1218GR	1800	1200	GREY



TEXTILE COLOUR OPTION



Custom sizes & colours are priced on application



e - SCREENS MOBILE

e-SCREENS MOBILE are suitable for creating partitions for your work space. The product is designed for a constantly changing environment to provide order, privacy and versatility.

- This is a perfect product for:
- Schools
 - Reception areas
 - Libraries
 - Halls
 - Conference rooms
 - Trade shows



e - SCREENS FLOOR

e-SCREENS are a flexible, easily changeable screening system. They are the alternative to tradesman installed permanent or semi-permanent screens.

More options are available to create stability for a free standing screen. Refer to fitting reference page 11, detail F. e-SCREENS can also be mounted directly onto the desk by using **(A)** parallel bracket or a perpendicular bracket as illustrated above.

These brackets not only create further stability if needed but also give you the option of removing a desk leg for your comfort. Refer to next page for clarity.

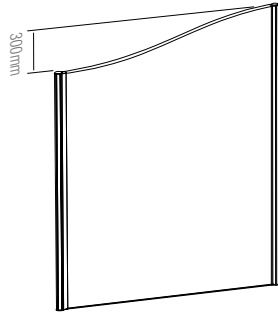
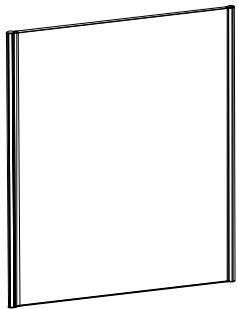
FREE TO
CHANGE

FLAT

Nominal Width (mm)				HEIGHT (mm)
900	1200	1500	1800	
EFSS F0912B	EFSS F1212B	EFSS F1512B	EFSS F1812B	1200
EFSS F0912G	EFSS F1212G	EFSS F1512G	EFSS F1812G	1200
EFSS F0915B	EFSS F1215B	EFSS F1515B	EFSS F1815B	1500
EFSS F0915G	EFSS F1215G	EFSS F1515G	EFSS F1815G	1500
EFSS F0918B	EFSS F1218B	EFSS F1518B	-	1800
EFSS F0918G	EFSS F1218G	EFSS F1518G	-	1800

WAVE

Nominal Width (mm)				HEIGHT (mm)
900	1200	1500	1800	
EFSS W0912B	EFSS W1212B	EFSS W1512B	EFSS W1812B	1200
EFSS W0912G	EFSS W1212G	EFSS W1512G	EFSS W1812G	1200
EFSS W0915B	EFSS W1215B	EFSS W1515B	EFSS W1815B	1500
EFSS W0915G	EFSS W1215G	EFSS W1515G	EFSS W1815G	1500
EFSS W0918B	EFSS W1218B	EFSS W1518B	-	1800
EFSS W0918G	EFSS W1218G	EFSS W1518G	-	1800



TEXTILE COLOUR OPTION



BLUE



GREY

Custom sizes & colours are priced on application

SYLEX UNIVERSAL POST



1 WAY



2 WAY



3 WAY



4 WAY

OPTIONS



E-SCREEN CAN BE MOUNTED DIRECTLY ONTO THE WALL USING A WALL STARTER



FULL LENGTH SHELVES CAN BE ATTACHED ON TO THE E-SCREENS



CUSTOM LENGTH SHELVES ARE AVAILABLE TO HANG OFF E-SCREEN



BRACKETS GIVE THE USER THE OPTION OF REMOVING THE DESK LEGS



OFFICE CONFIGURATIONS

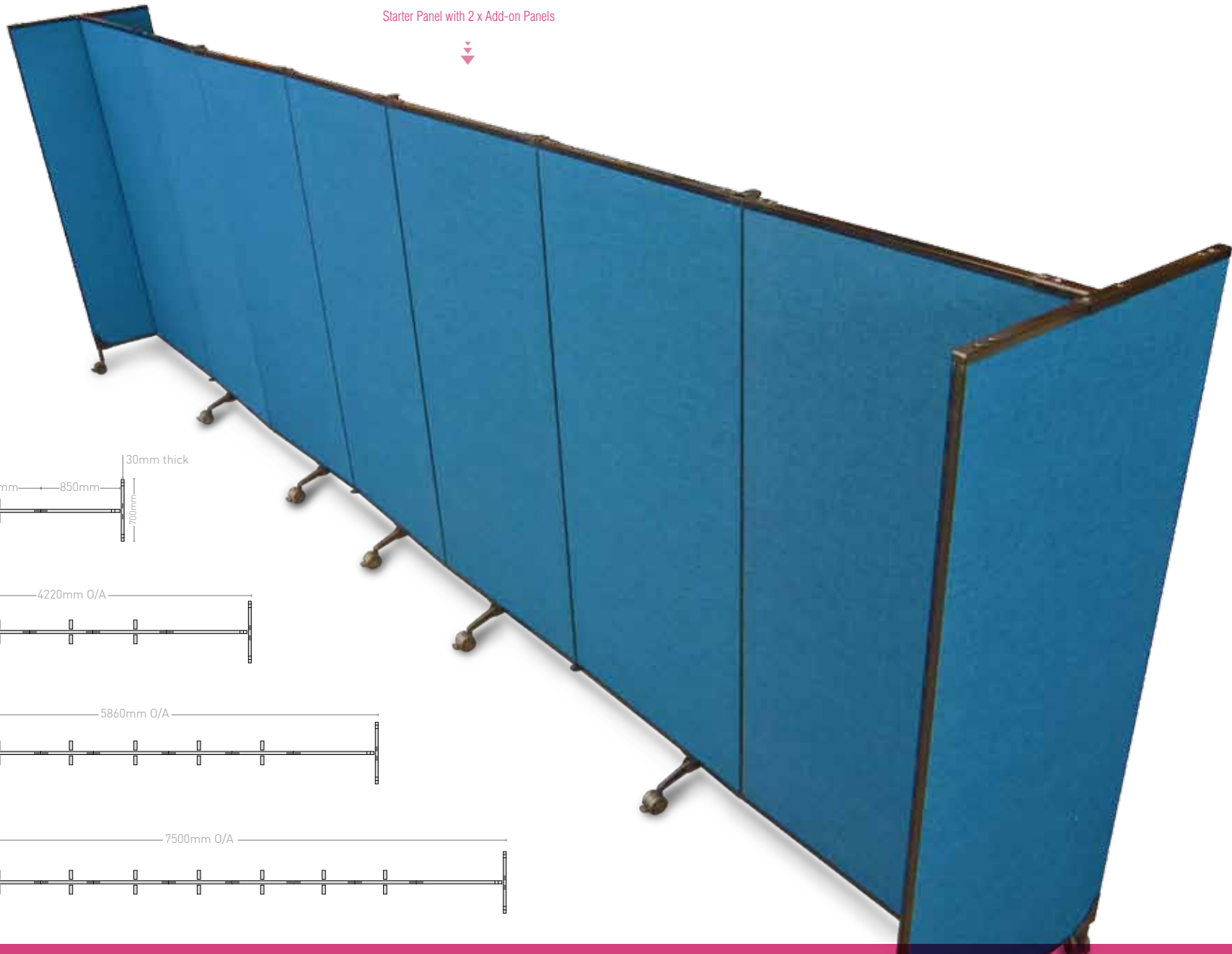
Users can quickly and simply remove the universal joining post and change the configurations of their screens. Because there is only one basic universal joining post, you can change the entire layout of your office without needing extra parts or expert help. Join 2 way, 3 way or 4 way at any right angle all

with the same joiner. Each floor screen comes with the universal joiner at one end. There is no need to specify or lock into a particular configuration.

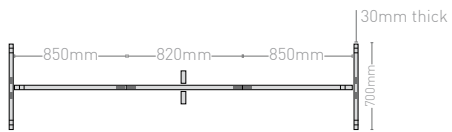
As soon as you create a 90 degree corner e-screens become stable and free-

standing, for creating long straight runs we recommend either a small 'return' piece or bracing to existing furniture with optional brackets. e-SCREENS are slightly elevated with an adjustable glide allowing for height adjustments in out of level floors and to create a cable pass-through.

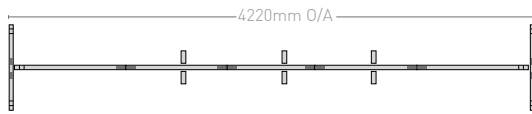
Starter Panel with 2 x Add-on Panels



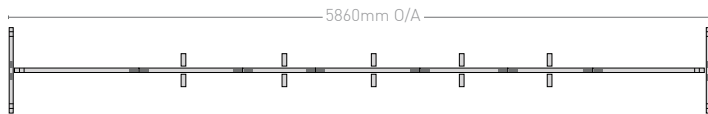
Starter Set



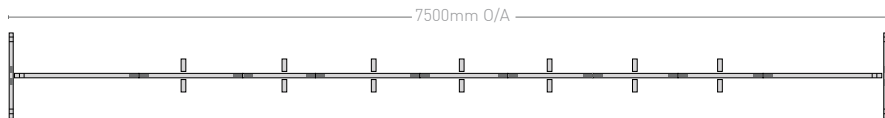
Starter Set + 1 Add-On Panels



Starter Set + 2 Add-On Panels



Starter Set + 3 Add-On Panels



GREAT DIVIDER

Great Dividers are a brand new rolling wall system for flexibly dividing space and providing effective visual and acoustic barriers. While providing excellent space division, when not being used they simply fold up and roll away in

seconds into a compact and storable unit. Great Dividers are a completely modular system allowing you to add panels to create the length of divide you need, up to 7.5 metres long. For even longer configurations units can be ganged together.

Great Dividers come in two heights: 1820mm high (6 foot) or 2438mm high (8 foot). While the most popular version is the blue fabric wall, there is also the option of a pair of dry-erase whiteboard wall panels.

Great Divider fabric panels are pinnable with a soft substrate, which also aids sound attenuation.



CODE	DESCRIPTION	HEIGHT (mm)	SURFACE
FDGRDSTART24BL	GREAT DIVIDER STARTER PANEL	2438	BLUE FABRIC
FDGRDSTART18BL	GREAT DIVIDER STARTER PANEL	1820	BLUE FABRIC
FDGRDADDON24BL	GREAT DIVIDER ADD-ON PANEL	2438	BLUE FABRIC
FDGRDADDON24WB	GREAT DIVIDER ADD-ON PANEL	2438	WHITEBOARD
FDGRDADDON18BL	GREAT DIVIDER ADD-ON PANEL	1820	BLUE FABRIC
FDGRDADDON18WB	GREAT DIVIDER ADD-ON PANEL	1820	WHITEBOARD

TEXTILE AND SURFACE COLOUR OPTION



BLUE



WHITE BOARD

Starter Set



Add-on panels



Starter Set

The base unit is the Starter Set which comes ready to use and consists of 3 wall panels (2 x 850mm & 1 x 820mm wide) and two perpendicular end panels (700mm wide). Starter Sets are complete and ready to use, or ready to be added to with add-on panels. The end panels of Starter Sets include locking casters

for added stability. The castors are attached to 18-gauge steel legs with an innovative spring suspension system that keeps the panels level on any surface.

Add-on panels

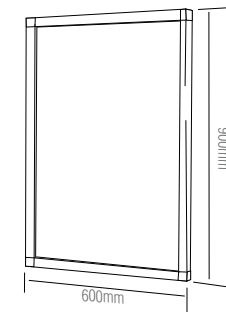
Add-on panels come in hinged pairs, with each panel measuring 820mm wide. Like the Starter Sets there are two heights: 1820mm high (6 foot) or 2438mm high (8 foot). The optional dry-erase whiteboard features a high pressure laminate dry-erase surface that provides smooth writability, easy erasability

and exceptional durability. Up to 3 pairs of Add-on panels can be joined to each Starter Set to create large-format flexible walls, up to 7.5m long. For even longer configurations units can be ganged together. A 4-piece ganging kit link sets together. One set of four is required for each pair of end panels to be joined together



CODE	DESCRIPTION
FDP1818BF	6 PANEL SCREEN BLUE FELT
FDP1818GF	6 PANEL SCREEN GREY FELT
FDP2418BF	8 PANEL SCREEN BLUE FELT
FDP2418GF	8 PANEL SCREEN GREY FELT
FDP3018BF	10 PANEL SCREEN BLUE FELT
FDP3018GF	10 PANEL SCREEN GREY FELT

ILLUSTRATION OF 1 PANEL



TEXTILE COLOUR OPTION



BLUE



GREY

QUORUM

These lightweight and versatile folding screens are made with tough anodized aluminium frames. They can be unpacked and assembled in seconds to divide space, to direct traffic, to create moveable displays or to separate work areas. The panels

are fitted with velcro compatible loop nylon panel coverings in either blue or grey.

CHOICE

Screens come in a choice of 6, 8 or 10 panel configurations. All units comes in a durable nylon bag for easy transportation and convenient storage. Simply unfold the panels and your display kit is ready to use in seconds.

APPLICATION

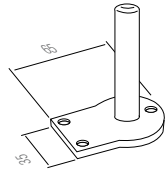
- Conference areas. Trade shows and exhibitions
- Classrooms and school halls
- Long distance marketing events and sales presentations
- In-store or showroom displays and demonstrations

REF DESCRIPTION

CODE

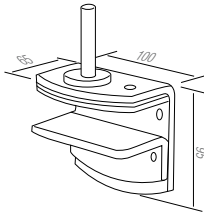
A. MOUNTED PIN

EDPIN



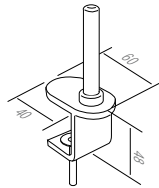
B. HEAVY DUTY DESK CLAMP

EDCLAMP



C. DESK EDGE CLAMP

FIWCLAMP



D. STUD PIN

FIWPIN

E. PARALLEL LEFT BRACKET

EDBM11L

E. PARALLEL RIGHT BRACKET

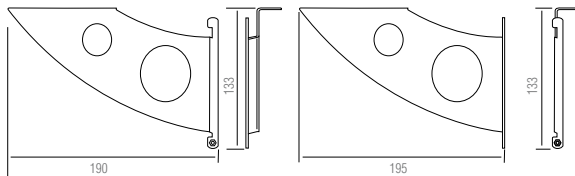
EDBM11R

E. PERPENDICULAR LEFT BRACKET

EDBM10L

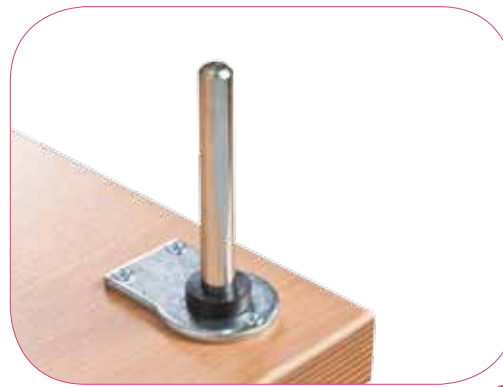
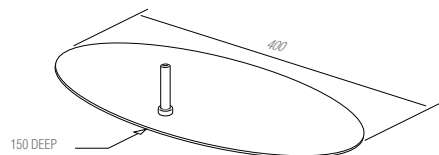
E. PERPENDICULAR RIGHT BRACKET

EDBM10R



F. STABILITY PLATE

ESFOOT



A



B



C



D



E



F

FITTING MADE EASY

A Mounted Pin can be placed at any point on the surface of a Sylex desk to mount selected screens. 2 Mounting pins are needed to mount the 1 screen and are fixed with screws.

B Heavy Duty Desk Clamp is a more robust fitting solution which is clamped and tightened at the edge of any Sylex desk. This product suits 25-33mm table thickness

C Desk Edge Clamp centres the screens over two adjoining desks. This product suits 25-33mm table thickness

D Stud Pin is designed to penetrate through a predrilled hole on the new Sylex range. This solution becomes completely hidden under the selected screen.

E Perpendicular and Parallel brackets are designed to permanently fix floor & desk e-screens onto desks. The bracket can also replace certain desk legs to provide more human leg space.

F Stability Plate can be fitted under floor screens to provide further stability if needed to a single protruded screen.



CABLE ORGANISER AT REAR



TOOLBAR - SINGLE

Toolbar is designed to mount directly on desks to provide further mounting areas for digital displays such as computer monitors and other flat screen applications. This product creates an additional workspace dimension that allows you to not

only create a frontal screen arrangement but also provides you with customised accessories to manage your office equipment and documentations. Made from high quality aluminium and suitable for desk thickness from 15-85mm makes this product

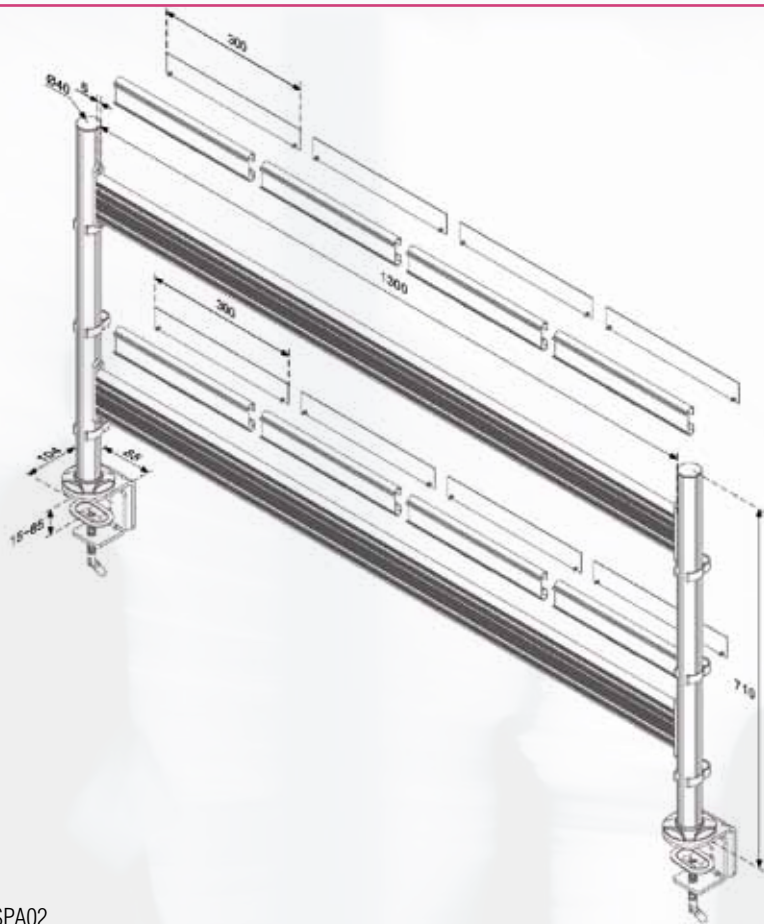
an attractive workspace solution. The Toolbar contains grooves which houses adjustable fixtures to allow you to move your displays freely.

Not only does this product provide your workspace with display solutions it also incorporated a complete cable organiser on the rear to neatly route upto 6 x 8mm cables.

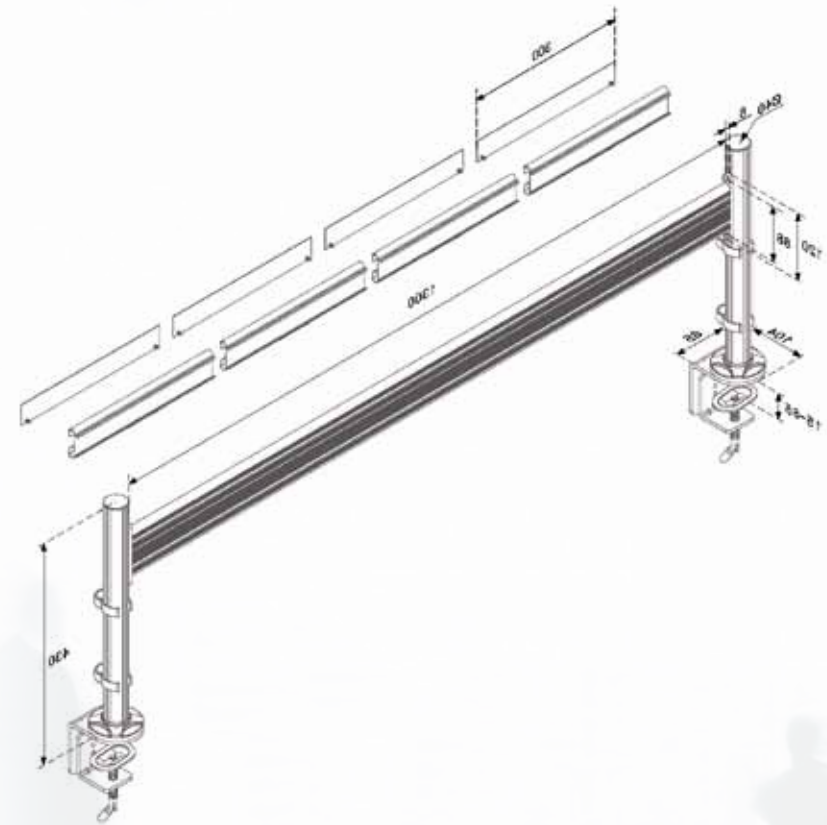


TOOLBAR - DOUBLE

Toolbar also comes in a double bar for either a two levelled digital displays arrangement or to maximize the workspace by attaching more accessories for a busy office.



AEMMSPA02



AEMMSPA01

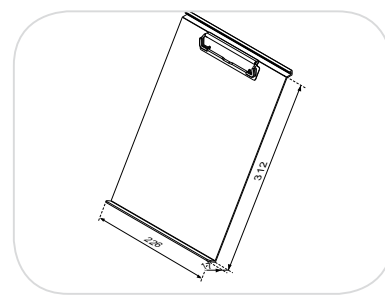
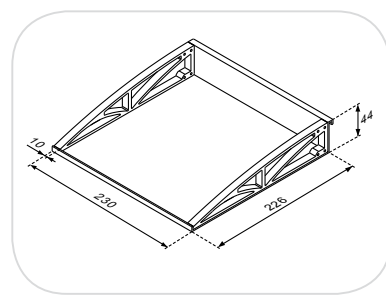
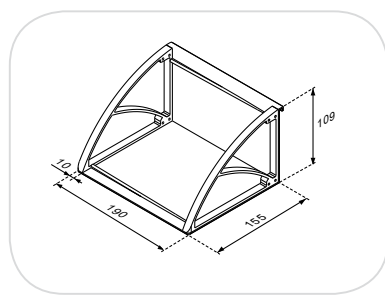
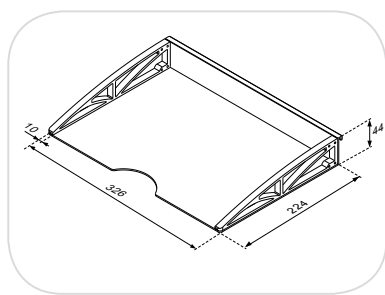
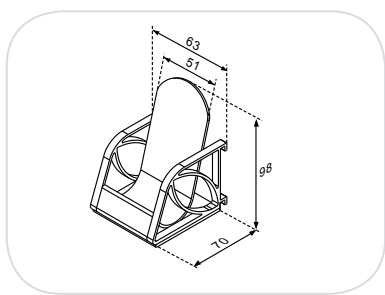
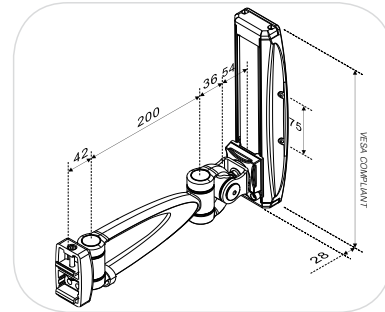
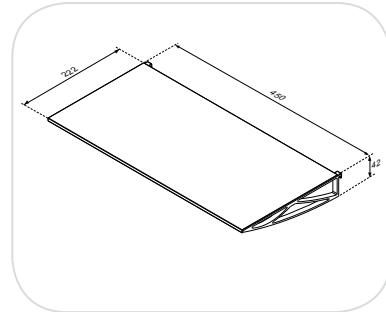
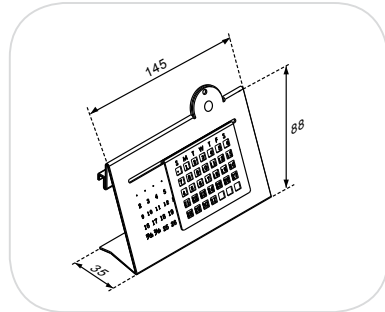
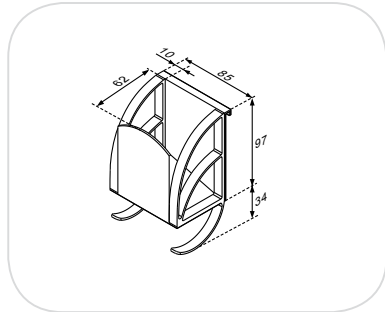
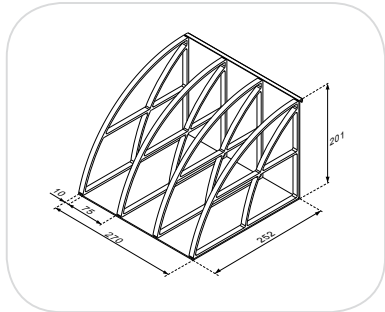
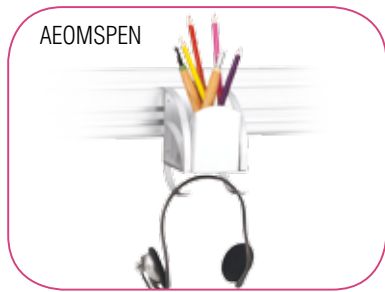
TOOLBAR SPECS

Both the single and the double Toolbar provide a visual barrier between desks. Rails can also be reversed on the posts to offer mounting options on both sides to share between two desks.

The side posts of both the single and the double Toolbar contain a groove that allows the rail to be adjusted to any height.

Toolbar is designed to hold a wide range of accessories from shelves to organisers. These accessories are simply attached by hooking into the grooves within the bar. Monitor arms supplied by Sylex are bolted into adjustable inserts within the rail

grooves to support the weight. Refer to the next page for all accessory options.



TOOLBAR ACCESSORIES

AEOMSFILE FILE HOLDER
Provide storage convenience for your binders and folders

AEOMSMOB MOBILE HOLDER
Place mobile phone within easy reach

AEOMSPEN PEN & GADGET CUP
Handy cup keeps pens within reach and includes headphone hangers

AEOMSPAPER PAPER HOLDER
Accommodates letter, A4 filing and keep your working environment tidy

AEOMSCAL CALENDAR
Month, Week and date display

AEOMSCD CD HOLDER
Handy storage for DVD's and CD's

AEOMSSHELF SHELF
Handy storage or display for personal items and office tools

AEOMSTELE TELEPHONE CADDY
Place phone within easy reach

LA-68-2T MOUNT BRACKET
Designed to mount monitors with a height adjustable mechanism

AEOMSCOPY COPY HOLDER
Anti-slip design can clip papers without slipping

NSW - Head Office
4-6 Bentley Street
Wetherill Park 2164
Ph: 61 2 9756 4988
Fax: 61 2 9756 4991

VIC
27 MacBeth Street
Braeside 3195
Ph: 61 3 95878628
Fax: 61 3 95878691

QLD
4/272 Lavarack Avenue
Eagle Farm 4009
Ph: 61 7 3260 2060
Fax: 61 7 3260 2070

WA
3 Pusey Road
Jandakot 6164
Ph: 61 8 9417 4007
Fax: 61 8 9417 4009

AUCKLAND N.Z
(N.Z. National enquires)
55A Druce's Rd. Manukau City
Ph: 64 9 2621429
Fax: 64 9 2621434



www.sylexergonomics.com



Official Sylex Dealer

Copyright 2008 by SYLEX DISTRIBUTORS PTY LTD A.B.N. 72 002 361 195

Due to continual product improvement we reserve the right to alter specifications of product from time to time without notice.